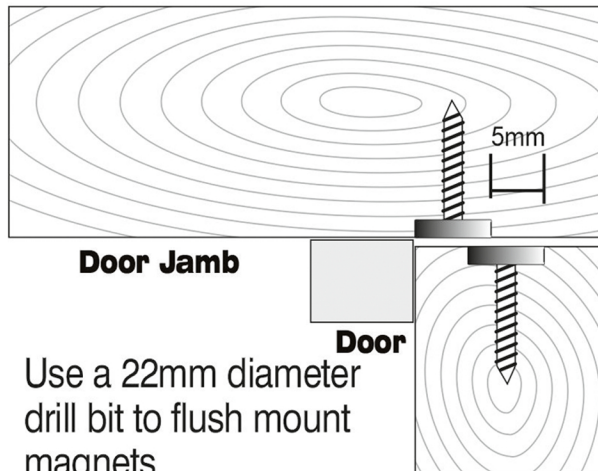


WARNING

**DO NOT LET MAGNETS
SNAP TOGETHER**
Keep Separate or they
will break.

Doormag™



Use a 22mm diameter
drill bit to flush mount
magnets

Warning: Use caution when handling magnets as magnetic forces are powerful. Small fragments may break off when violently snapped together.