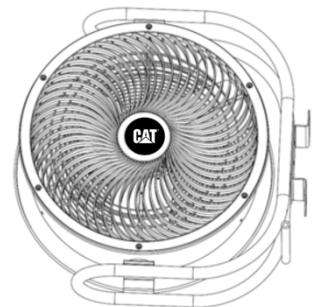
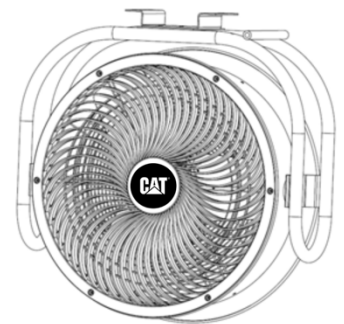
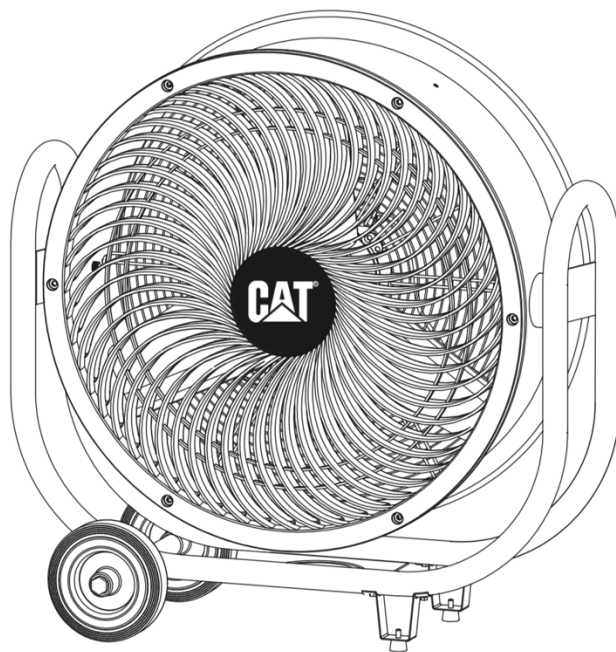




**24 IN. INDUSTRIAL DRUM
DC AIR CIRCULATOR (3-IN-1)**

MODEL HVD24AC

OWNER'S MANUAL



READ & SAVE THESE INSTRUCTIONS

ASSEMBLY AND OPERATING INSTRUCTIONS

CAUTION:

Read and follow all instructions before operating fan.
DO NOT use fan if any part is damaged or missing.

WARNING:

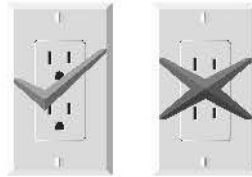
To reduce the risk of fire or electrical shock, do not use this fan with any solid-state speed control device.

To reduce the risk of fire or electrical shock, do not use this fan with any solid-state speed control device. This appliance has a 3-prong plug.

To reduce the risk of electrical shock, this plug is intended to fit in an outlet only one way.

If this does not fit the outlet, contact a qualified electrician. Do not attempt to bypass this procedure.

If the supply cord is damaged, it must be replaced by the manufacturer, its service agent or similarly qualified person in order to avoid a hazard.



RULES FOR SAFE OPERATION:

- Do not insert fingers or any subjects through the grille guard when fan is in operation.
- Disconnect fan when moving from one location to another.
- Disconnect fan when removing guards for cleaning.
- Make sure fan is on a stable, flat surface when in operation.
- Do not use fan in windows. Rain and moisture may create electrical hazard.

CAUTION: Do not alter the fan's assembly.

WARNING: Be sure FRONT and REAR GUARD screws are completely screwed down in locking position before operation.

WARNING: This appliance is not intended for use by persons (including children) with reduced physical,

sensory or mental capabilities, or lack of experience and knowledge, unless they have been given supervision or instruction concerning use of the appliance by a person responsible for their safety.

Children should be supervised to ensure that they do not play with the appliance.

This appliance can be used by children aged from 8 years and above and persons with reduced physical, sensory or mental capabilities or lack of experience and knowledge if they have been given supervision or instruction concerning use of the appliance in a safe way and understand the hazards involved. Children shall not play with the appliance. Cleaning and user maintenance shall not be made by children without supervision.

WHEELS AND RUBBER FEET ASSEMBLY INSTRUCTIONS

1. Install two wheels (3) to the wheel shaft with two screws (1) and two spacers (2).
2. Install two rubber feet stands (4) to the fan base tube with two screws (5).
3. Thread two rubber feet (6) to the rubber feet stand (4) securely.

INSTRUCTIONS FOR MOUNTING FAN TO CEILING (hardware not provided**)**

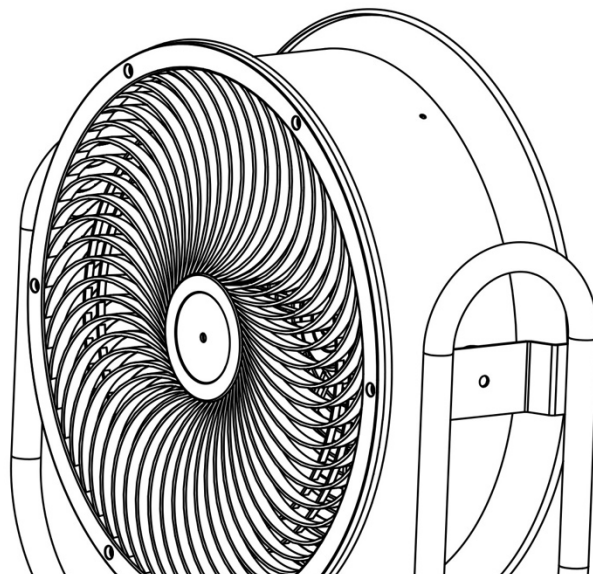
WARNING:

Ensure that fan is mounted on ceiling or beam capable of supporting the fan and suitable hardware is used.

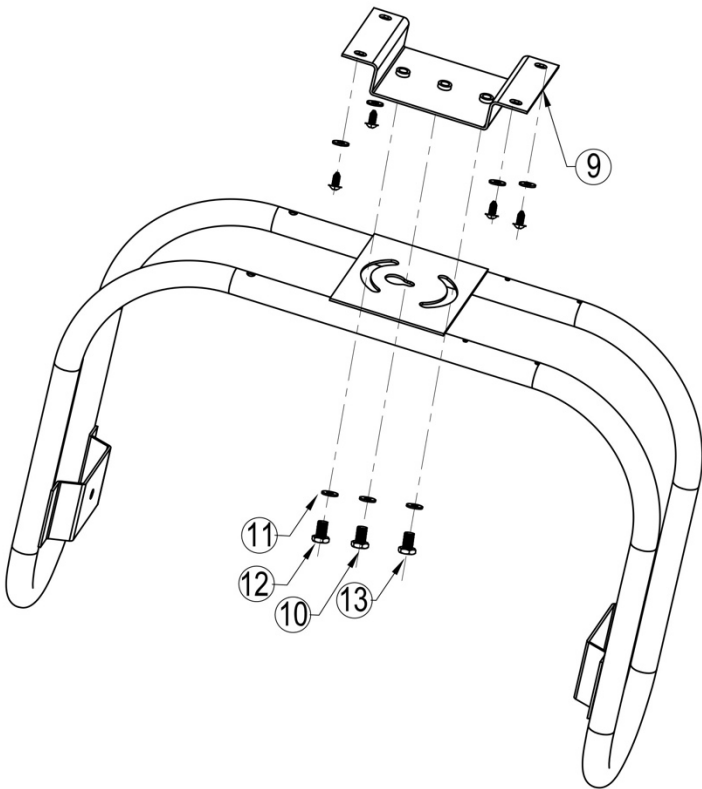
This fan should be installed and mounted by a qualified electrician.

1. Take out mounting bracket (9) and remove three bolts and washers.
2. Mount mounting bracket (9) to ceiling with appropriate hardware (not provided). Choose hardware suitable for ceiling / beam style.
3. Thread middle bolt (10) to the mounting bracket (9), use the bolt to locate fan.
WARNING: Do not rely on this bolt alone to hold on the fan.
4. Align middle hole on mounting bracket (9) with mounting plate on fan base and insert bolts (12&13) and flat washers (11) through mounting plate into mounting bracket (9). Thread bolt half way, do not fully tighten.
5. Rotate fan to desired position and install other two bolts (12&13) and washers (11). Tighten bolts to secure fan.

WHEELS AND RUBBER FEET ASSEMBLY INSTRUCTIONS



INSTRUCTIONS FOR MOUNTING FAN TO CEILING (hardware not provided)



OPERATION INSTRUCTIONS

TO ADJUST AIRFLOW UPWARD OR DOWNWARD:
Directly tilt the fan to desired angle.

SPEED CONTROL

Rotate SWITCH to OFF (0), HIGH (3), MEDIUM (2) and LOW (1) speeds for respective air velocity.

It is normal for the motor to feel warm to touch after continuous operation. This fan features a thermal cutoff that will automatically shut off should it overheat for any reason. If this happens, immediately unplug the fan from the outlet.

CLEANING INSTRUCTIONS

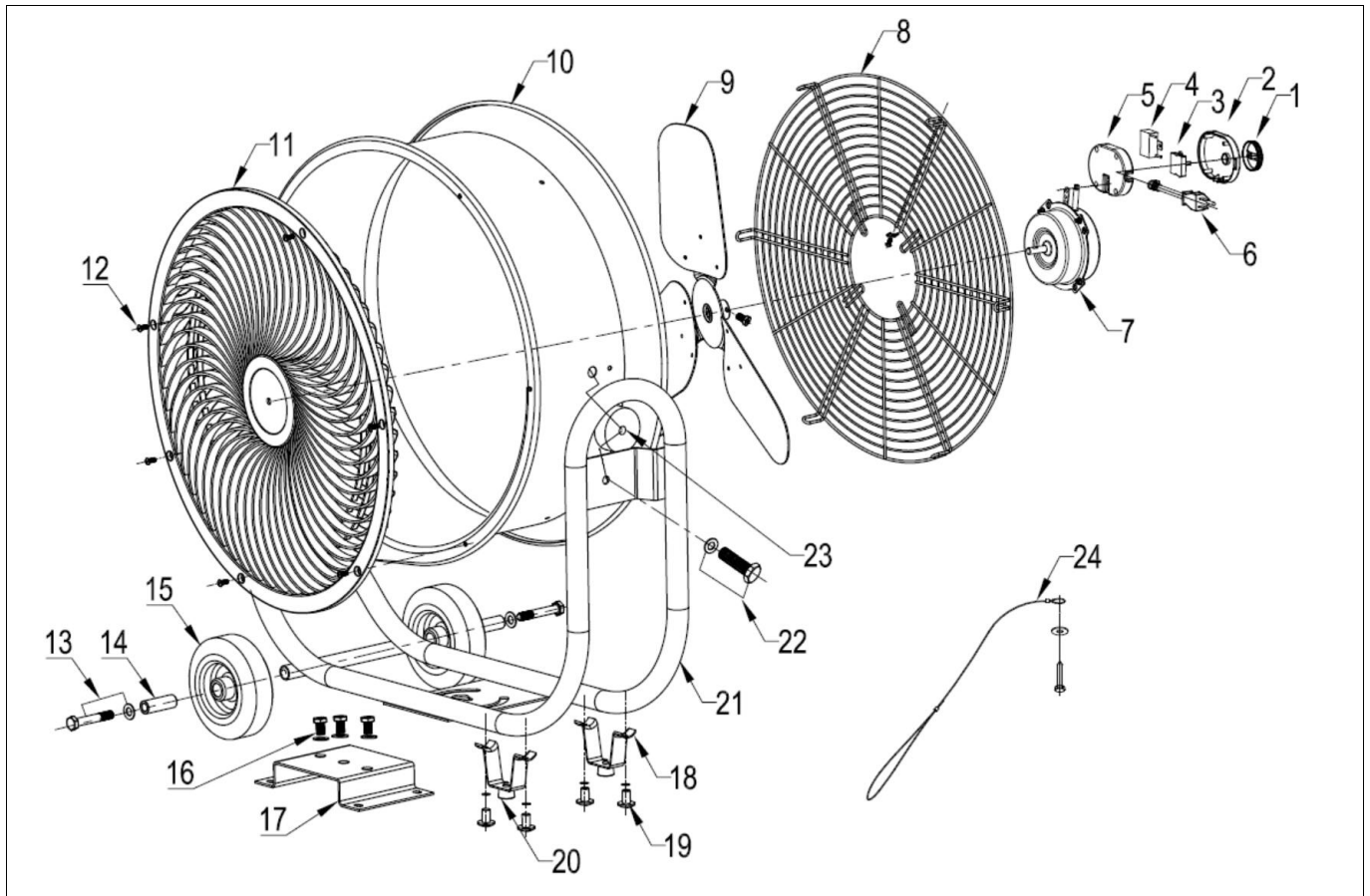
WARNING:

Unplug from electrical supply source before cleaning. After servicing, any safety device (including grilles and blades) must be reinstalled or remounted as previously installed:

- Use soft damp cloth to clean. Then wipe with dry cloth.
- Do not use harmful cleaners.
- Do not bend the blades.
- The motor bearings are permanently sealed and do not require additional lubrication.

3-Year Limited Warranty

No.	Part Name	No.	Part Name
1	KNOB	14	SPACER
2	SWITCH BOX(FRONT)	15	WHEEL
3	SWITCH	16	MOUNTING SCREW
4	CAPACITOR	17	MOUNTING PLATE
5	SWITCH BOX(REAR)	18	RUBBER FOOT HOLDER
6	POWER CORD	19	SCREW & WASHER
7	MOTOR	20	RUBBER FEET
8	REAR GRILLE	21	BASE
9	BLADE	22	SCREW & WASHER
10	DRUM	23	RUBBER WASHER
11	FRONT GRILLE	24	SAFETY CABLE
12	SCREW		
13	SCREW & WASHER		



www.cat.com / www.caterpillar.com
 © 2020 Caterpillar. All Rights Reserved. CAT, CATERPILLAR, and their respective logos, "Caterpillar Yellow," the "Power Edge" and Cat "Modern Hex" trade dress as well as corporate and product identity used herein, are trademarks of Caterpillar and may not be used without permission.
 Orient Fan Co., a licensee of Caterpillar Inc.