

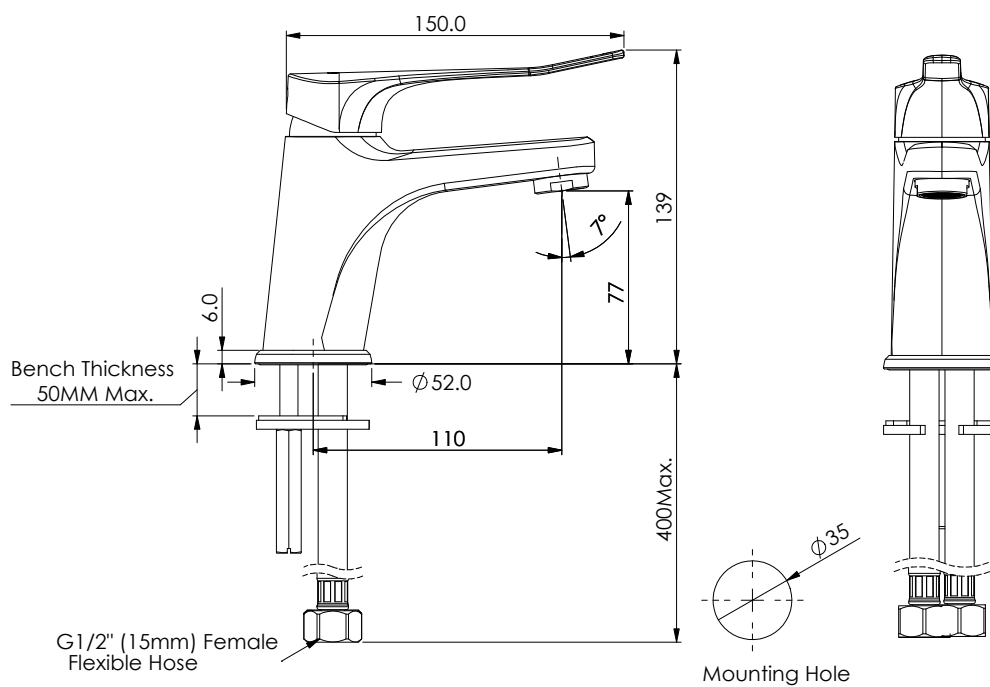
# HELIX

## Healthcare Basin Mixer

LF3518709CP-2 | Chrome

MP: 4 STAR 7.0L/MIN  
LP : 5 STAR V6.0L/MIN  
All Pressure

- Lead Free
- Fixed Spout
- Extended Lever for Assisted Living
- Cold Start Technology



**NZ** PHONE 0800 655 455  
EMAIL [nzsales@greenstapware.com](mailto:nzsales@greenstapware.com)  
WEBSITE [www.greenstapware.com](http://www.greenstapware.com)

 | **GREENS**  
where life meets water