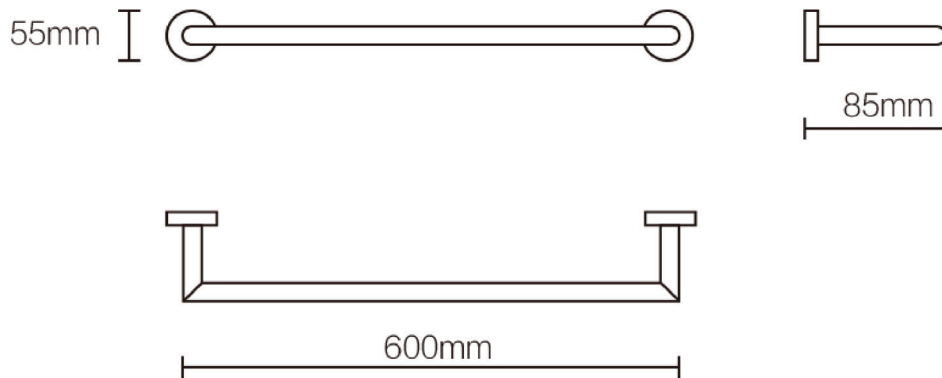


VOLT

Single Tower Rail

6615050 | Chrome
6615057 | PVD Matte Black
6615051 | PVD Brushed Nickel
6615056 | PVD Brushed Brass
6615059 | PVD Gunmetal

- Rail at 600mm Centres
- 50mm Wall Flanges



NZ PHONE 0800 655 455
EMAIL nzsales@greenstapware.com
WEBSITE www.greenstapware.com

 | **GREENS**
where life meets water