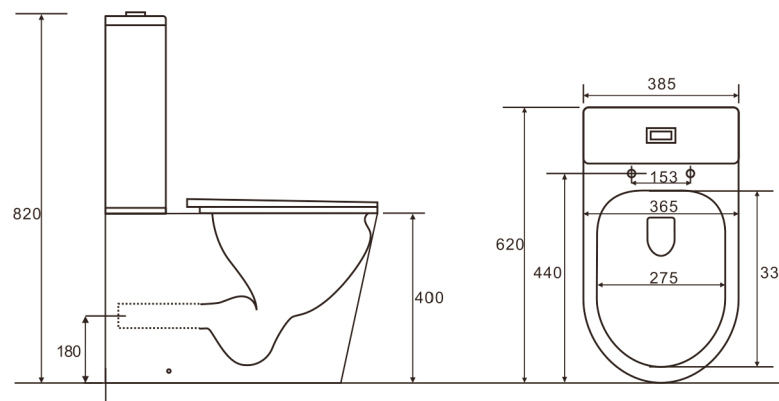


Nouveau.

TOILET PINNACLE RIMLESS BACK TO WALL

INSTALLATION INSTRUCTIONS

sku 2016899



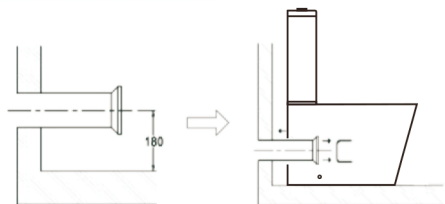
1. BEFORE YOU BEGIN

- Carefully inspect the new toilet for any damages, hair line cracks, chips or defects.
- If new toilet location does not have a supply shut-off valve below the cistern, this will need to be installed by a qualified plumber.

2. INSTALL THE NEW TOILET

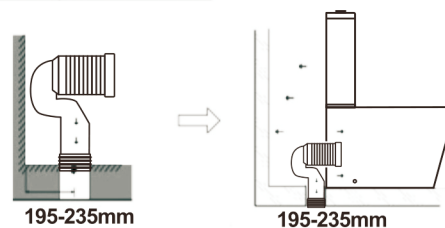
- Install or relocate the supply and outlet as necessary to conform to the set out dimensions.
- Install a supply shut-off valve (suggested).

P-trap installation



- Measure the toilet pan to setup P trap from wall to spigot distance.
- Set up waste pipe so that the end of the pan collar extends onto spigot.
- Align and push fully assembled toilet back to the wall, connecting pan spigot to pan collar. Bucket flush and check for leaks.

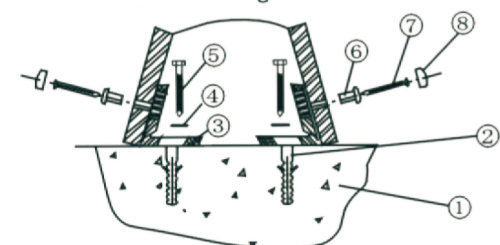
S-trap installation



- Measure the toilet pan to setup position of the S-trap connector.
- Lubricate the fins of the pan bend and position into waste pipe. Lubricate rubber on the exposed connector end.
- Align and push fully assembled toilet back to the wall.

Fix the toilet bowl

- The toilet bowl should be installed on a flat concrete or timber surface.
- Ref below figure; drill holes into the concrete then insert anchors. Attach the mounting brackets with washers and bracket screws.

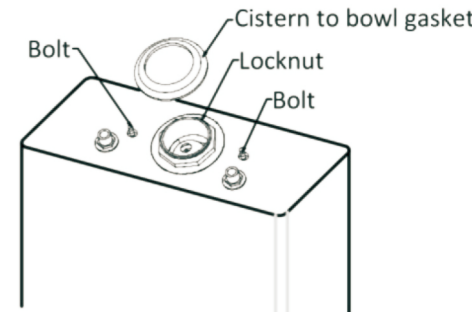


- flat concrete floor
- anchor
- mounting bracket
- washer
- mounting bracket screw
- washer
- toilet bowl mounting screw
- cap

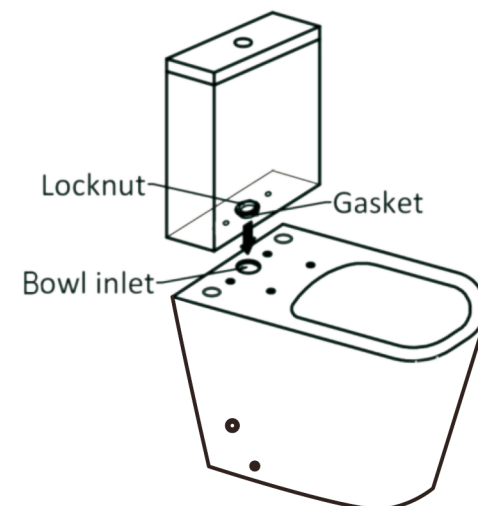
- Place toilet bowl over anchors, insert the washers (6) onto anchors then tighten the mounting screws (7) to secure the toilet bowl and mounting bracket, then put on the cap (8)
- After installation, check and make sure the toilet bowl is firm.

Nouveau.

3. INSTALL THE CISTERN



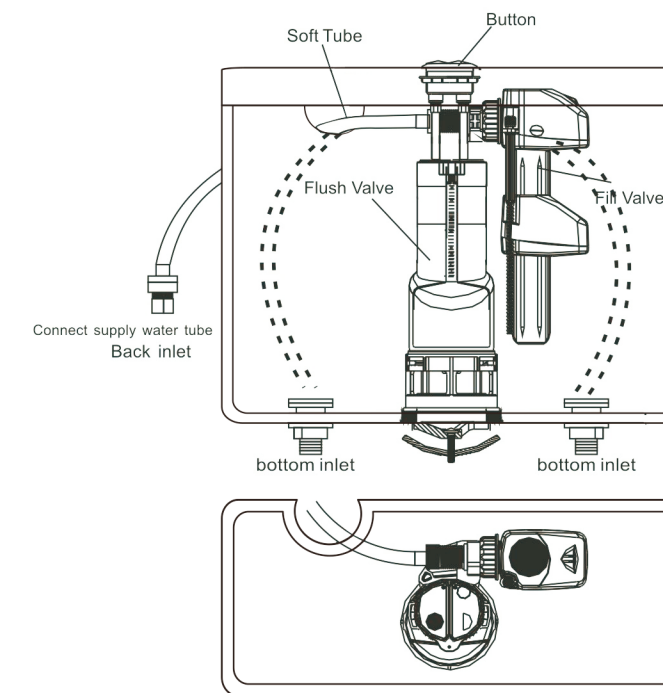
- Place the cistern-to-bowl gasket onto the locknut on the flush valve shank against the bottom of the cistern (make sure locknut is tight).



- Position cistern on bowl by centering gasket on bowl inlet.

Nouveau.

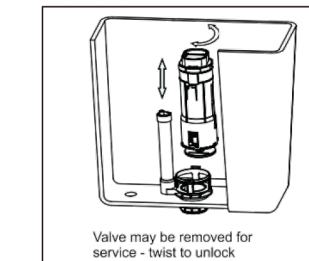
4. INSTALLATION



- Three water inlet ways : Back inlet, left/right inlet.

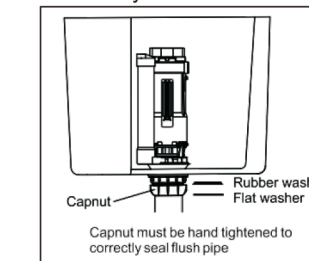
Flush Valve Service

Removal



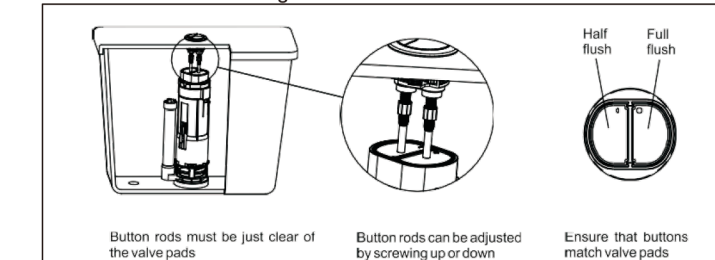
Valve may be removed for service - twist to unlock

Assembly



Capnut must be hand tightened to correctly seal flush pipe

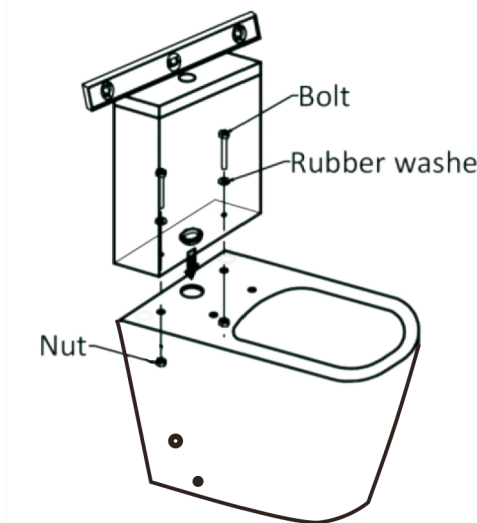
Push button rod settings



Button rods must be just clear of the valve pads

Button rods can be adjusted by screwing up or down

Ensure that buttons match valve pads



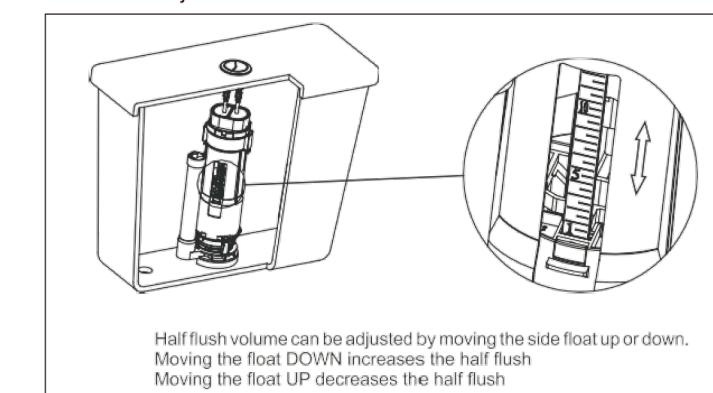
- Insert bolts through cistern holes down through holes in the bowl making sure tank is level.
- Assemble washers and nuts to cistern bolts. Alternately tighten nuts so that cistern stays level.
- Tighten nuts and be sure nuts are tight enough to achieve a watertight seal.

DO NOT OVERTIGHTEN

CAUTION
Risk of product damage
Overtightening may cause breakage or chipping of vitreous china.

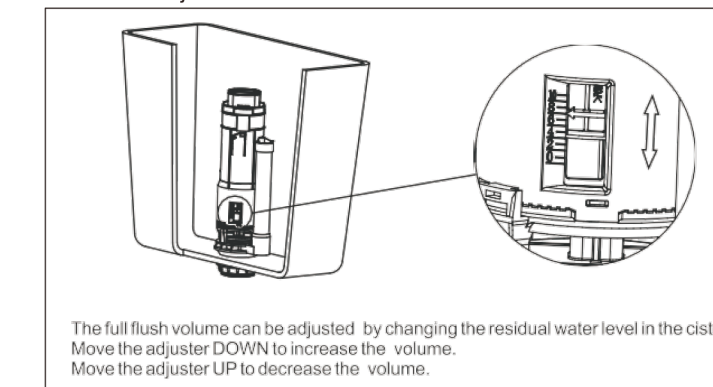
3 YEAR HOME USE WARRANTY

Half flush adjustment



Half flush volume can be adjusted by moving the side float up or down. Moving the float DOWN increases the half flush. Moving the float UP decreases the half flush.

Half flush adjustment



The full flush volume can be adjusted by changing the residual water level in the cistern. Move the adjuster DOWN to increase the volume. Move the adjuster UP to decrease the volume.

5. CONNECT WATER SUPPLY LINE

- Connect the water supply line (not included in water closet) cistern to shut off valve.
- Tighten the coupling nut on the cistern connection.
- The water supply line should have good water-tightness performance.

6. CONFIRM OPERATION

- Flush toilet several times and check all connections for leaks.
- Periodically check for leaks for several days after the installation.

Nouveau.