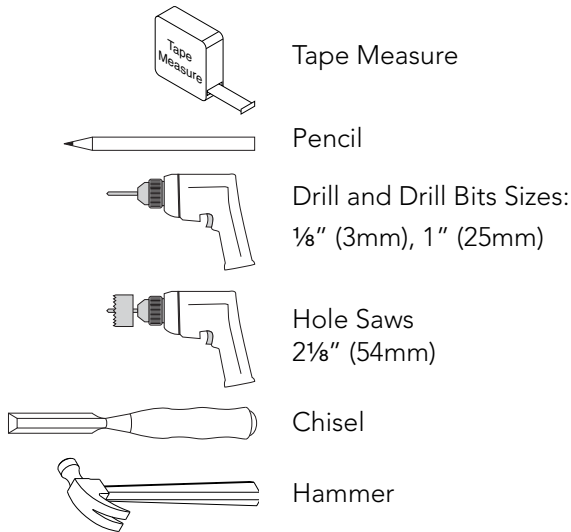


Door Preparation Instructions for Door **with Existing Holes**

Schlage Encode™, SRE60120 and SRE60121

Tools Needed

① **If you are uncomfortable performing these steps, call a locksmith for assistance.**

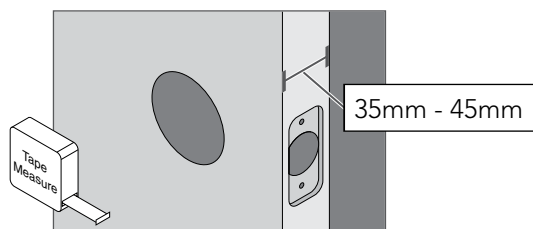


1 Measure door thickness.

If the door is thinner than 35mm or thicker than 45mm, then the lock will not fit properly on the door.

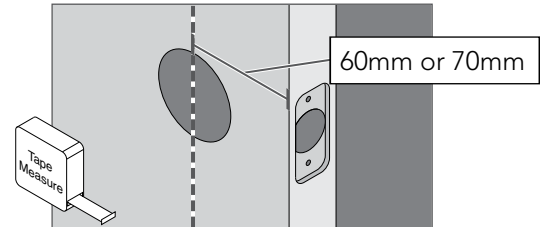
A thick door kit is used to fit the Schlage Encode to doors that are between 46mm and 64mm thick.

① **A thick door kit is available from Product Support at 0800 477 869**



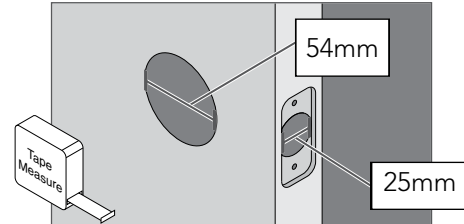
2 Measure the backset.

If existing backset is not 60mm or 70mm, then the lock will not fit properly on the door.

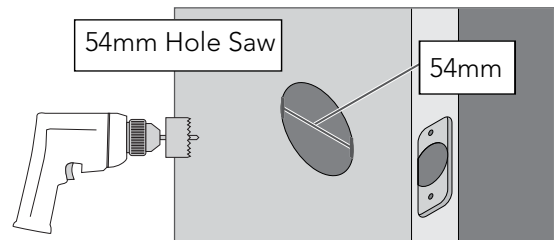


3 Measure the hole sizes.

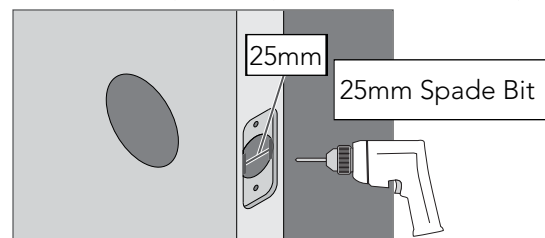
3a If hole sizes are larger than those shown, then the lock will not fit properly on the door. If hole sizes are smaller than those shown, see steps **3b** and **3c**.



3b If necessary, enlarge hole in door face.

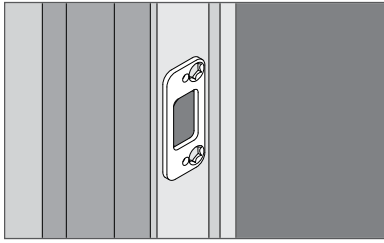


3c If necessary, enlarge hole in door edge.

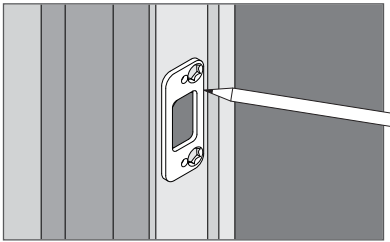


4 Check the door jamb.

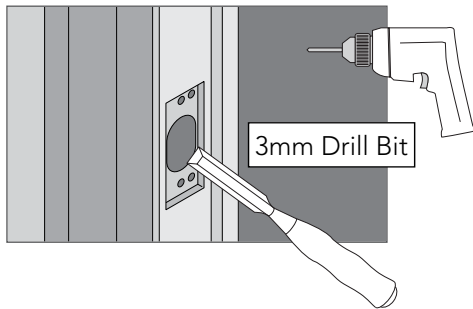
- 4a Place new strike and reinforcement plate against the door jamb. If these do not fit properly, see steps **4b** and **4c**.



- 4b If correction is necessary, trace faceplate and mark holes.



- 4c If necessary, use chisel, hammer and drill to correct door jamb preparation.



- 5 Please contact us for accessories if required.
0800 477 869

Questions about your new
Schlage **Encode**™ Smart Wi-Fi Deadbolt?

Please don't return it to the store!

Let us help you first!



schlage.co.nz/encode

Schlage New Zealand
Customer Service:
0800 477 869



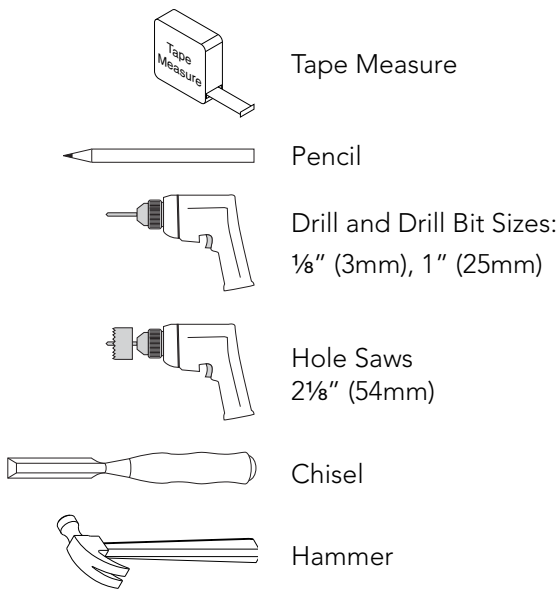
© Allegion 2018
Schlage Encode door prep with
holes Rev. 10/19

Door Preparation Instructions for Door **with No Holes**

Schlage Encode™, SRE60120 and SRE60121

Tools Needed

① If you are uncomfortable performing these steps, call a locksmith for assistance.

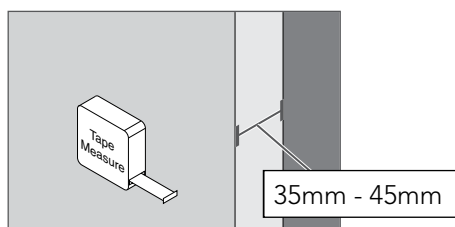


1 Measure door thickness.

If the door is thinner than 35mm or thicker than 45mm, then the lock will not fit properly on the door.

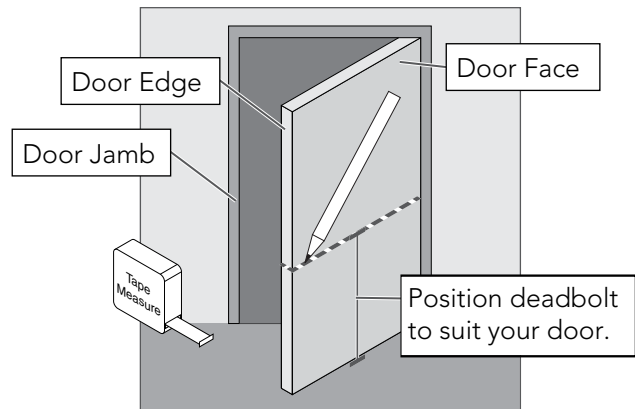
A thick door kit is used to fit the Schlage Encode to doors that are between 46mm and 64mm thick.

① A thick door kit is available from Product Support at 0800 477 869



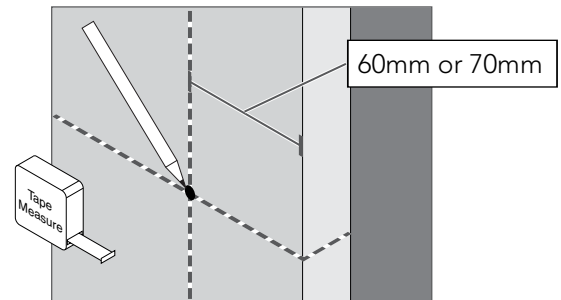
2 Mark door.

Mark lock centerline on door face, door edge and door jamb.

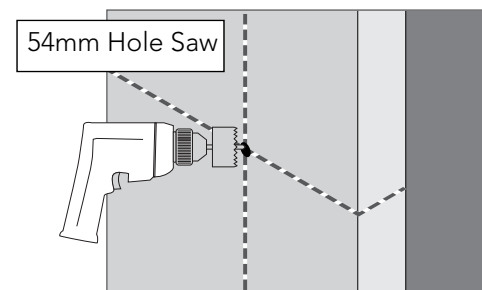


3 Prepare cross bore.

3a Measure backset and mark center of hole.

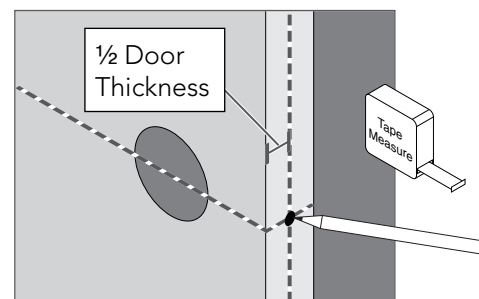


3b Drill hole with hole saw.

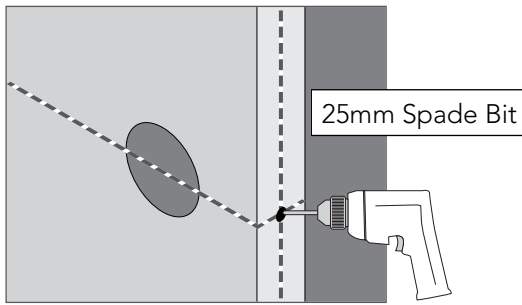


4 Prepare door edge hole.

4a Measure and mark 1/2 door thickness.

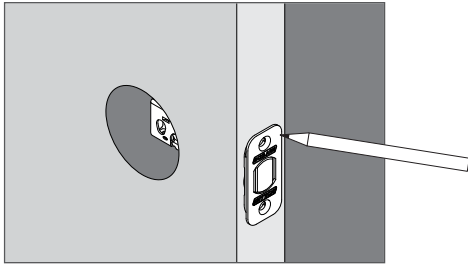


4b Drill hole in door edge.

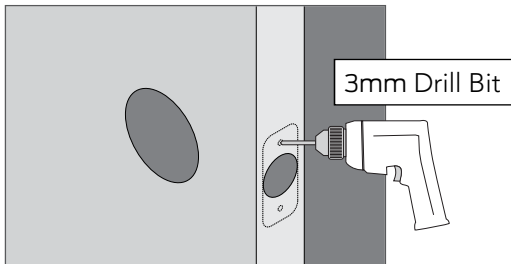


5 Mortise for bolt.

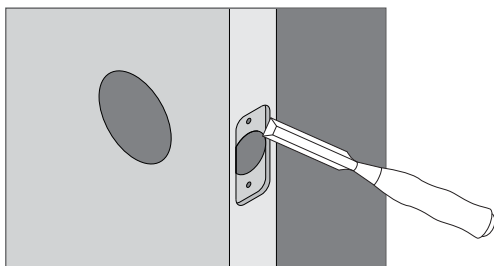
5a Insert bolt into door edge hole. Trace bolt faceplate and mark holes.



5b Remove bolt and drill two 3mm pilot holes.

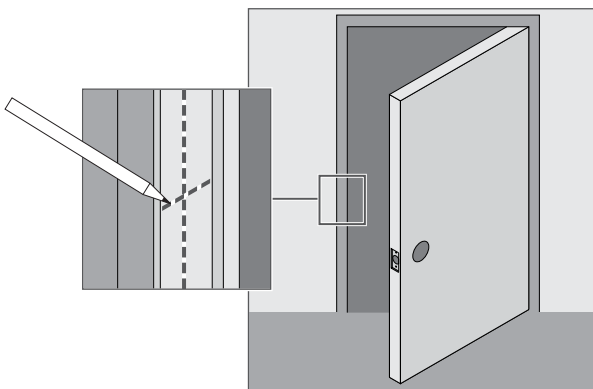


5c Use chisel and hammer to create bolt mortise.

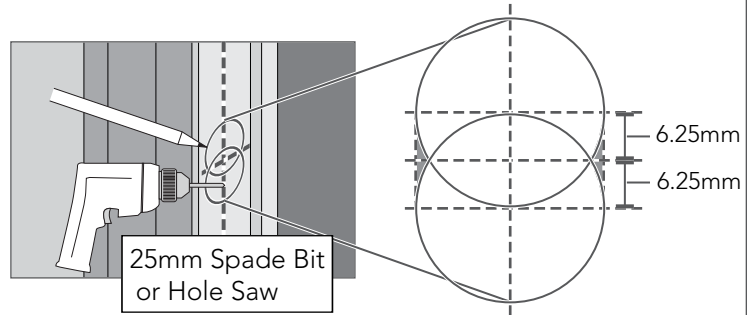


6 Measure, mark and drill holes in door jamb for strike.

6a Mark center for strike hole exactly opposite latch hole.

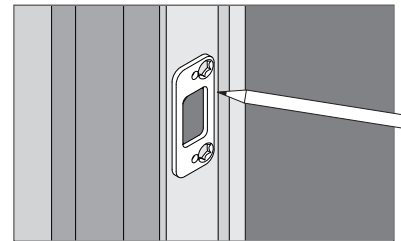


6b Measure, mark and drill two 25mm holes, 32mm deep, as shown. Chisel out excess material on the sides.

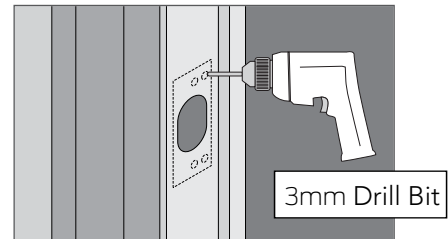


7 Mortise for strike and reinforcement plate.

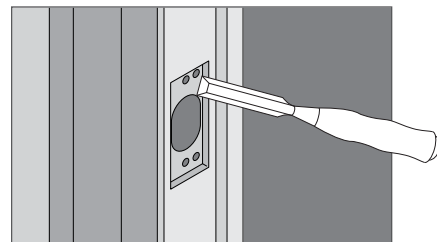
7a Trace strike and reinforcement plate and mark holes.



7b Drill four 3mm pilot holes.



7c Use chisel and hammer to create mortise for strike and reinforcement plate.



Questions about your new Schlage **Encode**™ Smart Wi-Fi Deadbolt?

Please don't return it to the store!



Let us help you first!

schlage.co.nz/encode

Schlage New Zealand
Customer Service:
0800 477 869



© Allegion 2018
Schlage Encode door prep with no
holes Rev. 10/19