



Hills®

**Hills Hoist
8-Line,
7-Line,
& 6-Line**

Product Manual



Congratulations

Congratulations on the purchase of your new **Hills Hoist Clothesline** which will bring you many years of trouble free and efficient outdoor drying.

It's important that you read this Product Manual thoroughly before installation to benefit from the design features and enjoy safe use of this product.

Thank you for choosing Hills.

Warning

- Do not allow children or pets to swing on your Clothesline or items of laundry.
- Do not use for any purpose other than to hang and dry washing.
- Do not use your Hills Hoist if parts are worn or damaged.
- Fold up your Hills Hoist in the event of extreme winds to avoid any product damage.
- The assembly of the head into the Main Standard is permanent. The two pieces lock together and cannot be separated when assembled.

Patents and Registered Designs apply to this product.

Please retain this Product Manual. Record the following information for future reference.

Product Number (printed on carton): _____

Date of purchase: _____

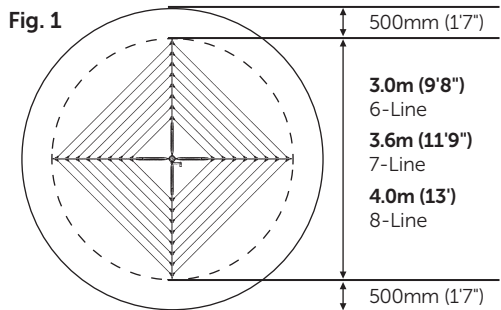
Name and location of store: _____

Carton contents

Part name	Qty.
Main standard	1
Head assembly	1
Ground socket with cover	1
Plastic spacers	3

Step 1 – Select a suitable location

- 1.1 Select a suitable area for installation.
- 1.2 Allow a minimum of 500mm (1'7") clearance around your Hills Hoist (**Fig. 1**).



Designed and tested under a Quality System that meets Hills demanding quality specifications.

Made in China

Step 3 – Assemble the Hoist

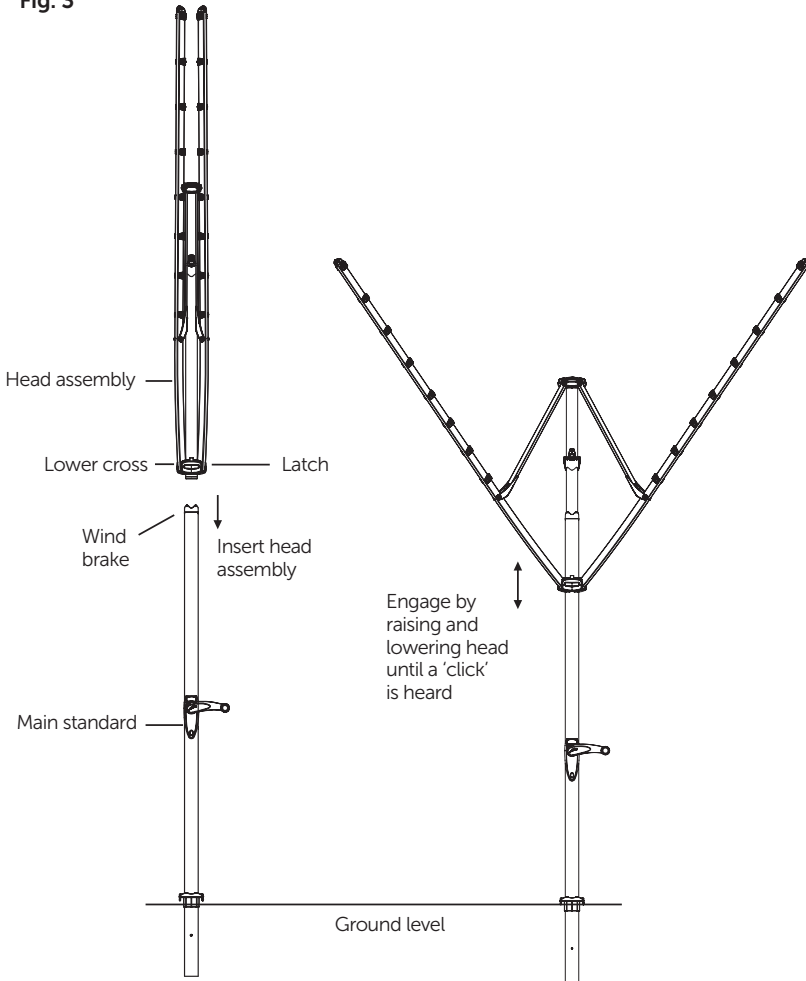
- 3.1 Place the main standard in the ground socket.
- 3.2 Place the bottom of the head assembly into the top of the main standard and lower it gently until it stops (Fig. 3).
- 3.3 To engage, raise the head assembly by approximately 100mm (4") and lower until a 'click' is heard.

- 3.4 Check the head assembly is locked in position by lifting upwards (it should not move). If the head assembly is not engaged, repeat Step 3.3.

Note: There is a small amount of rotational movement between the wind brake and the lower cross latch. This is normal.

Note: Once the head is engaged into the main standard it cannot be removed.

Fig. 3



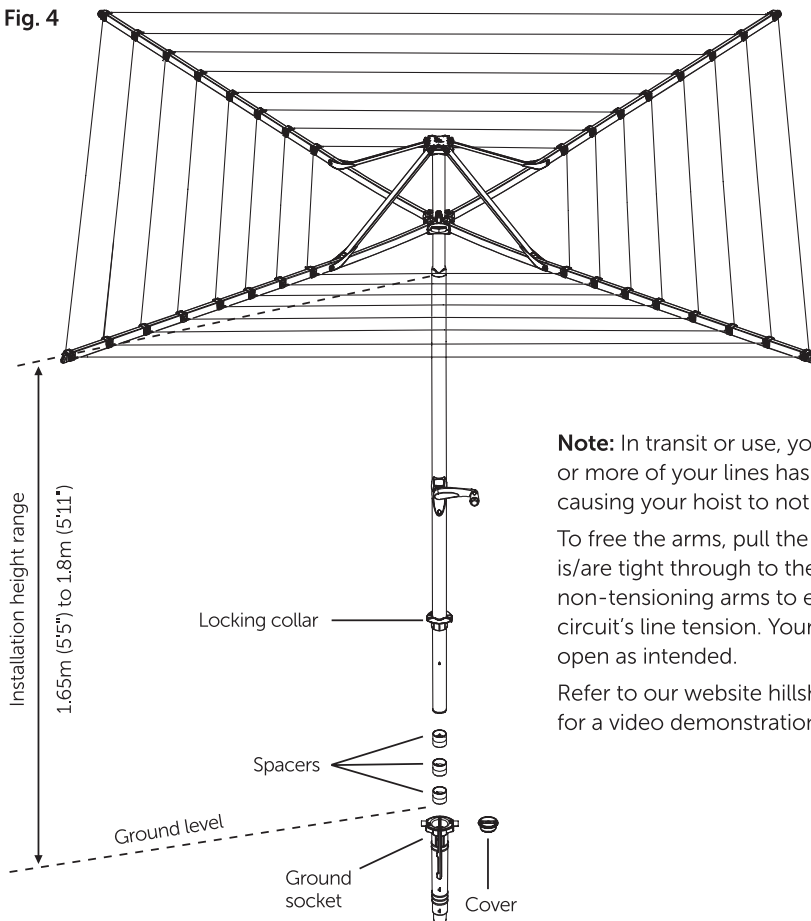
Step 4 – Operating the Hoist

4.1 To adjust the height of your Hills Hoist, wind the handle and head assembly down and then fit one or more of the plastic spacers in the ground socket. The installation height can range from 1.65m (5'5") to 1.8m (5'11").

Note: The height adjusting winding mechanism has an automatic device to disengage the handle at the maximum and minimum heights. A slight 'clicking' noise will be heard when this system is operating.

4.2 To Open: Undo the line retainer (see page 6) and guide it back into the hoist. Make sure the lines are tangle free. Push the lower cross and arms up until the latch engages.

Fig. 4



Note: In transit or use, you may find one or more of your lines has been pulled, causing your hoist to not open.

To free the arms, pull the line(s) that is/are tight through to the outer three non-tensioning arms to even-out the circuit's line tension. Your hoist will then open as intended.

Refer to our website hillshome.com.au for a video demonstration.

Step 4 – Operating the Hoist (continued)

4.3 To fold

1. Pull down the latch gently to release (Fig. 5).
2. Lower the arm and cross assembly until closed.

4.4 Wrap the line retainer around the hoist to prevent lines from becoming tangled.

1. Pull line retainer out from above the latching mechanism (Fig. 6).

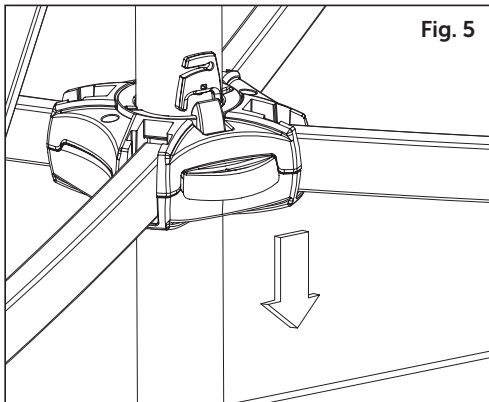


Fig. 5

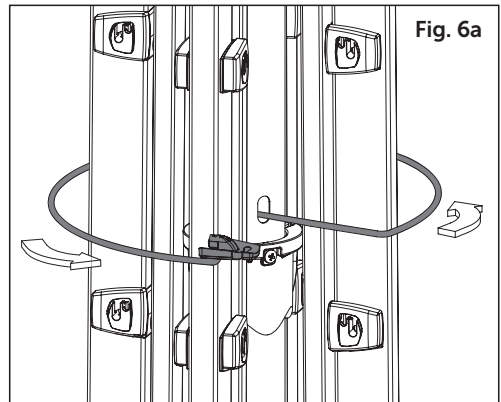


Fig. 6a

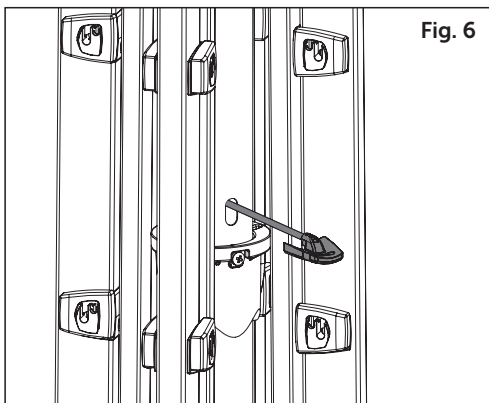


Fig. 6

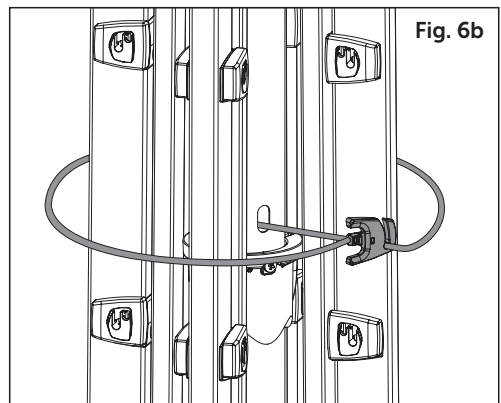


Fig. 6b

2. Wrap retainer around the hoist to capture all four arms (Fig. 6a).

3. Clip the blue retainer back onto the retaining line to secure hoist (Fig. 6b).

4.5 To remove from the ground socket

1. Unlock the locking collar by rotating anti-clockwise.
2. Lift the Hills Hoist from the ground socket and store in a suitable place.
3. Insert the cover into the top of the ground socket.

Step 5 – Tensioning the lines

The lines are pre-wired in the factory. Some initial tensioning may be required.

If over time, the line does need tensioning, the Hoist must be in the open position.

With the Hoist open, follow the tensioning instructions below.

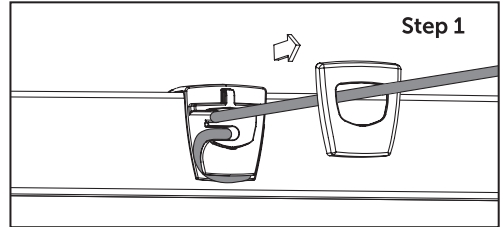
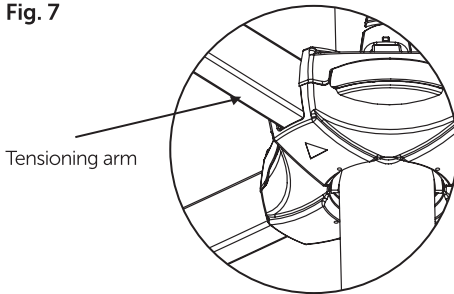
5.1 To begin tensioning

Although all the arms look the same, only one is the tensioning arm. This is the arm directly left of the latch. It is highlighted by an arrow pointing to it on the bottom of the lower cross (**Fig. 7**).

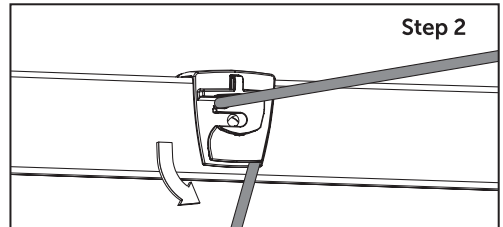
Note:

A video describing this operation can be viewed on the Hills website at hillshome.com.au

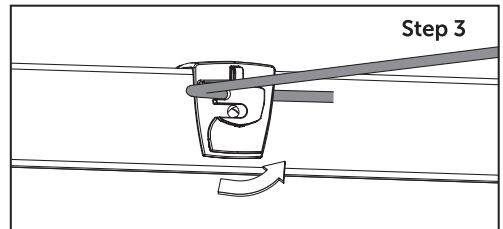
Fig. 7



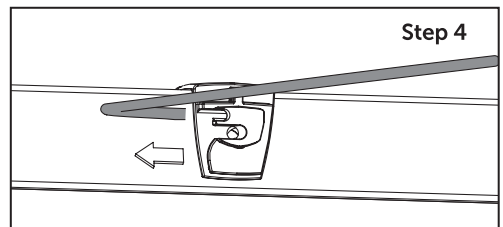
Remove cover cap



Pull line out of arm

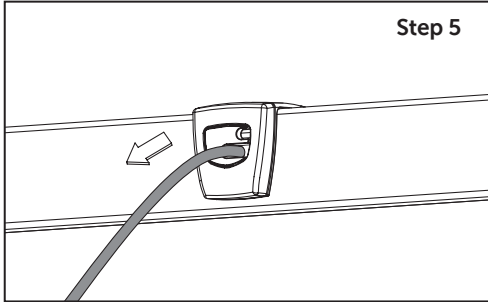


Remove line from under locking lip

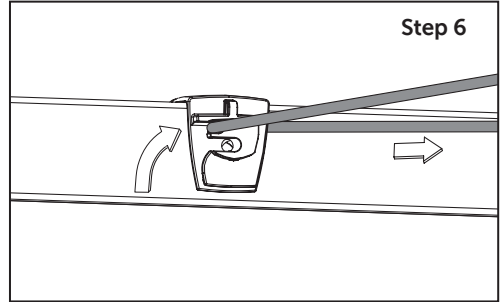


Pull line out from tensioner

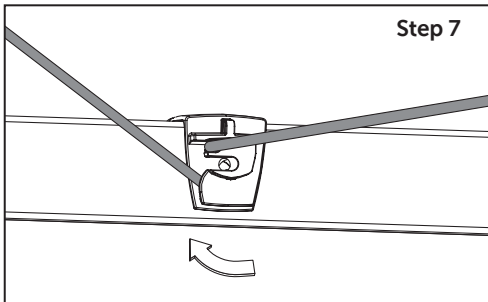
Step 5 (continued)



Starting at the furthest arm from the tensioning arm, pull the line tight and move from arm to arm to generate desired line tension.

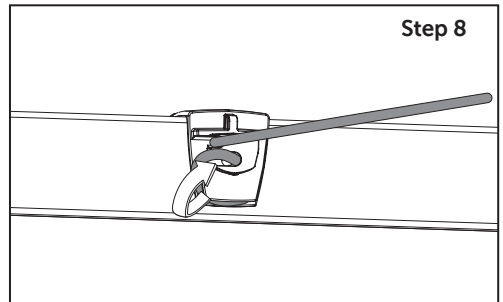


Keeping the tension on the line, feed it back through the tensioner. Pull to retain tension.

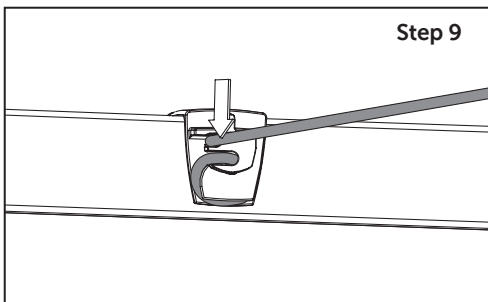


Swing the line back under the tensioner lip to secure.

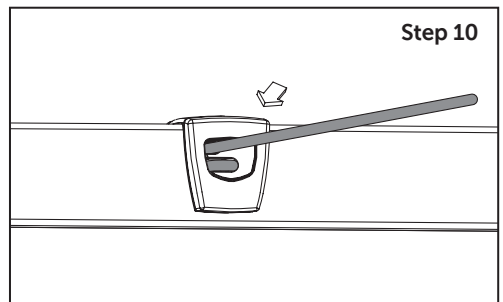
TIP: Keep pressure on bottom left edge to stop tension loss.



Feed line back into arm through central hole. Cut off excessive line if required prior to putting into arm.



Push line firmly into arm to give a flush result.



Replace cover when finished.

Hills handy hints

One of the benefits of a Hills Hoist is that it spins naturally in the breeze, allowing the sun to shine on all your clothes and speed up the drying time.

Raise your hoist for maximum drying efficiency and to ensure clearance for longer items.

The wind brake assists in the pegging and unpegging of clothes on windy days by restricting the free rotation of the Clothesline. It can be engaged by winding the 'head' of the hoist fully down.

Place smaller items of clothing on the lines nearest the centre and work your way outwards for larger items.

When hanging thick or bulky items, you may hang the item over more than one line.

When you do not expect to fill the capacity of your hoist, hang your clothes on the outer lines.

This will allow your Clothesline to spin more easily.

Care and maintenance

It is a good idea to occasionally inspect all components and check for wear and tear or damage. If there is any damage, parts should be replaced with original Hills' spares or the Hoist repaired before using again.

The hoist should be periodically wiped clean with a damp cloth and mild detergent.

To maintain appearance and durability of coating on metal components, we recommend a twice-yearly application of a reputable brand of car polish or wax.

Your Hills Hoist can be easily folded and removed from the ground socket to give you extra garden space.

The hoist should be easy to remove from the ground, but if left for a period of many years it may become more difficult. It is recommended the hoist is lifted out of the ground at least every six months.

10-Year Warranty*

*In addition to other rights and remedies that may be available under any applicable law, AMES Australasia Pty Ltd warrants to the purchaser of the product (customer) that this Clothesline will be free from defects in workmanship and materials for 10 years and the Polycore Line for 1 year from the date of purchase of the product. If a defect in material or workmanship becomes evident during that period, AMES Australasia Pty Ltd will, at its option, either:

- replace the product; or
- refund to the customer the purchase price paid by the customer for the product.

In the event of such a defect, the product should be returned to the place of purchase of the product by the customer, together with proof of purchase, for replacement or refund. Any handling and transportation (and other expenses incurred in claiming under this warranty) are not covered by this warranty and will be borne by the customer, not AMES Australasia Pty Ltd.

The obligation of AMES Australasia Pty Ltd under this warranty is limited to the circumstances set out above and is subject to:

- the product not having been altered, tampered with or otherwise dealt with by any person in a manner other than as intended in respect of the relevant product; and
- the product not having been used or applied in a manner that is contrary to customary usage or application of the relevant product or contrary to any stated instructions or specification of AMES Australasia Pty Ltd (or its related bodies corporate).

For products purchased in Australia:

Our goods come with guarantees that cannot be excluded under the Australian Consumer Law. You are entitled to a replacement or refund for a major failure and compensation for any other reasonably foreseeable loss or damage. You are also entitled to have the goods repaired or replaced if the goods fail to be of acceptable quality and the failure does not amount to a major failure.

For products purchased in New Zealand:

Our goods come with guarantees that cannot be excluded under the Consumer Guarantees Act. AMES Australasia Pty Ltd will comply with our obligations to you under the Consumer Guarantees Act.

AMES Australasia Pty Ltd

ABN 89 169 427 061

Level 1, 660 Doncaster Road,

Doncaster Vic 3108

Phone: 1300 300 564

Email: hhl.enquiries@amesau.com

Hills Contacts

We are committed to providing you with complete customer satisfaction. If you have any questions or comments about our products or services please contact your nearest Customer Service Centre during their local business hours:

Australia

1300 300 564

New Zealand

0800 021 027

Email

hhl.enquiries@amesau.com

Hills Websites

hillshome.com.au

Hills Home Living

hillshome.com.au/need-help/

Hills Consumer Advice

AMES Australasia Pty Ltd
A.B.N. 89 169 427 061
Issue April 2019
HD10700f

