

Tools required. Phillips head screwdriver PH3, drill, 3mm and 6mm drill bits, hammer and centre punch

1 Deciding on backset

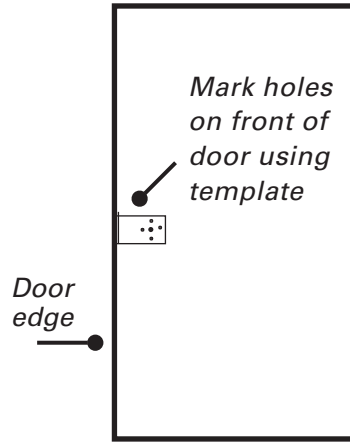
(Backset is the distance between the centre of the lever handles back plate to the edge of the door)

Normally 60mm backset is used for knobs

70mm backset is used for handles

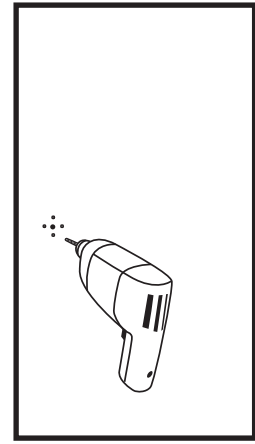
2 Mark position on door

Hold template over edge using either 60mm or 70mm backset

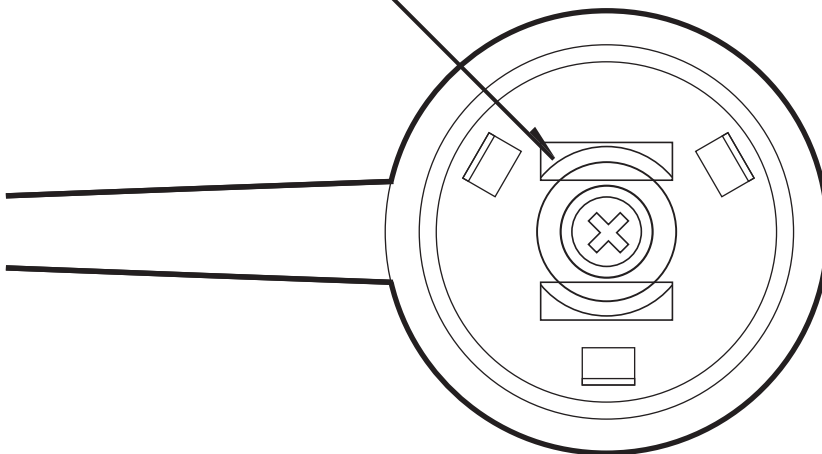


3 Drill door

1 x 6mm through door
4 x 3mm into door face
(ONLY 4mm DEEP)



4 Correctly engage handle/knob to backplate



5 Fit handle/knob

