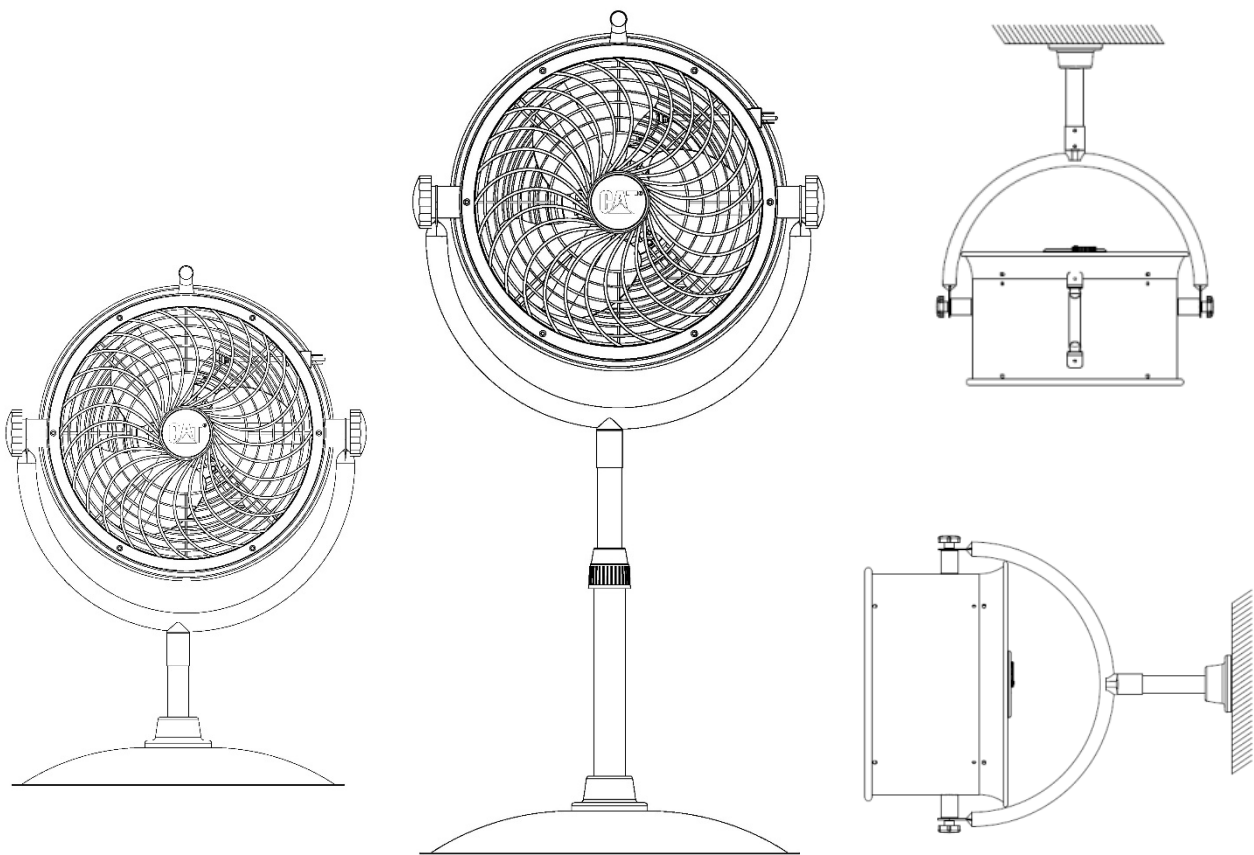




**14" HIGH VELOCITY PEDESTAL DRUM AIR CIRCULATOR (4-IN-1)**

**MODEL: HVPD14AC**

**OWNER'S MANUAL**



**READ AND SAVE THESE INSTRUCTIONS.**

## ASSEMBLY AND OPERATING INSTRUCTIONS

### **CAUTION:**

Read and follow all instructions before operating fan.

DO NOT use fan if any part is damaged or missing.

### **WARNING:**

To reduce the risk of fire or electrical shock, do not expose to water or rain.

To reduce the risk of fire or electrical shock, do not use this fan with any solid-state speed control device.

This appliance has a 3-prong plug. To reduce the risk of electrical shock, this plug is intended to fit in an outlet only one way.

If this does not fit the outlet, contact a qualified electrician. Do not attempt to bypass this procedure.

If the supply cord is damaged, it must be replaced by the manufacturer, its service agent or similarly qualified person in order to avoid a hazard.

### **RULES FOR SAFE OPERATION:**

- Never insert fingers or any other objects through the grille guard when fan is in operation.
- Disconnect the fan when moving from one location to another.
- Disconnect the fan when removing guards for cleaning.
- Be sure fan is on a stable, flat surface when in operation.
- **DO NOT** use fan in windows. Rain and moisture may create electrical hazard.

**CAUTION:** Do not alter the fan's assembly.

**WARNING:** Be sure **FRONT** and **REAR GUARD** screw are completely screwed down in locking position before operation.

**WARNING:** This appliance is not intended for use by persons (including children) with reduced physical, sensory or mental capabilities, or lack of experience and knowledge, unless they have been given supervision or instruction concerning use of the appliance by a person responsible for their safety.

Children should be supervised to ensure that they do not play with the appliance.

This appliance can be used by children aged from 8 years and above and persons with reduced physical, sensory or mental capabilities or lack of experience and knowledge if they have been given supervision or instruction concerning use of the appliance in a safe way and understand the hazards involved. Children shall not play with the appliance. Cleaning and user maintenance shall not be made by children without supervision.

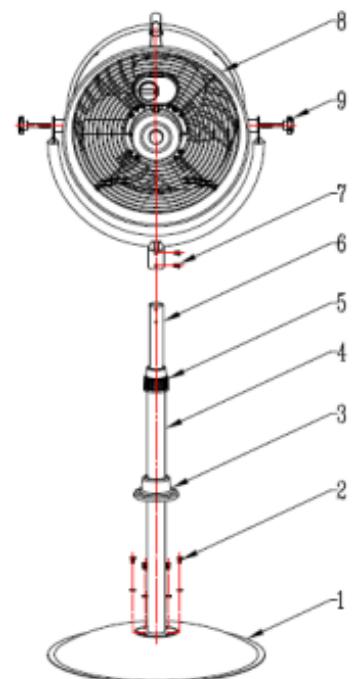
### **TO INSTALL AS PEDESTAL FAN STAND POLE ASSEMBLY:**

1. Attach STAND POLE (4) to the BASE (1) with 4 screws (2) as shown, tighten them SECURELY.
2. Loosen the ROUND PLASTIC NUT (5) at the STAND POLE (4) and extend INNER TUBE (6) to desired height.
3. Slide COVER RING (3) down to STAND POLE (4) and rest on the top of BASE (1).

**CAUTION:** The ROUND PLASTIC NUT (5) must be fully tightened before assembling the MOTOR (8) to the INNER TUBE (6).

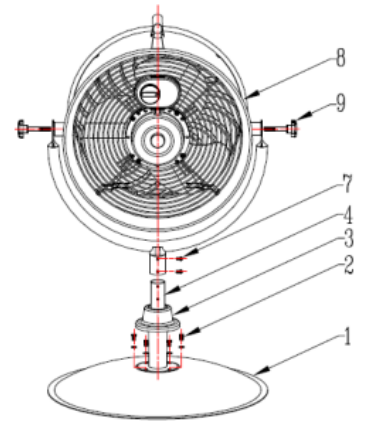
### **STAND POLE & MOTOR ASSEMBLY INSTRUCTIONS**

1. Locate the MOTOR (8) and insert into the INNER TUBE (6).
2. Align the hole of the INNER TUBE (6), tighten the screw & washer (7) SECURELY.
3. Attach two 3-WING PLASTIC KNOBS (9) to the fan for adjusting the airflow angle.



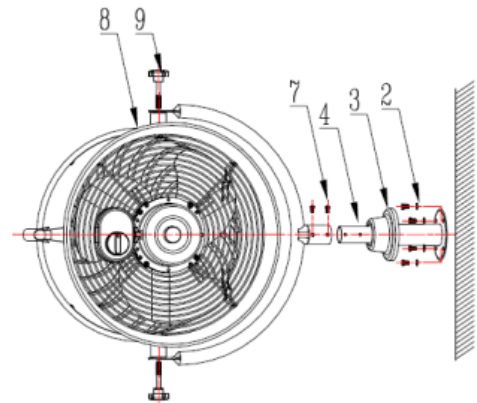
### **TO INSTALL AS FLOOR FAN**

1. Attach SHORT STAND POLE (4) TO THE BASE (1) with 4 screws (2) as shown, tighten them SECURELY.
2. Slide COVER RING (3) down to SHORT STAND POLE (4) and rest on the top of BASE (1).
3. Locate the MOTOR (8) and insert into the SHORT STAND POLE (4).
4. Align the hole of the SHORT STAND POLE (4), tighten the screw & washer (7) SECURELY.
5. Attach two 3-WING PLASTIC KNOBS (9) to the fan for adjusting the airflow angle.



### **TO INSTALL AS WALL FAN (\*\*hardware not provided\*\*)**

1. Install the SHORT STAND POLE (4) to the wall with 4 special screws (2) for wooden wall, tighten them SECURELY.
2. Locate the MOTOR (8) and insert into the SHORT STAND POLE (4).
3. Align the hole of the SHORT STAND POLE (4), tighten the screw & washer (7) SECURELY.
4. Attach two 3-WING PLASTIC KNOBS (9) to the fan for adjusting the airflow angle.

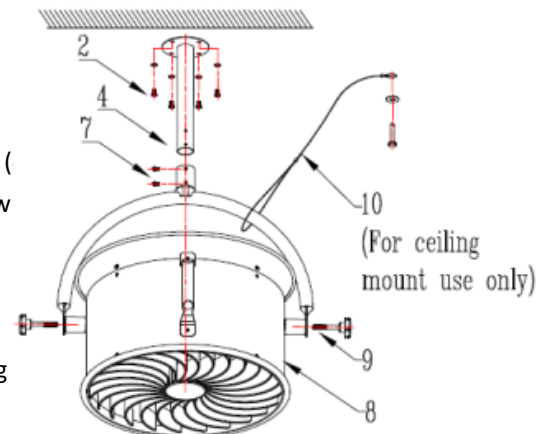


### **WARNING:**

- Mount fan on a wooden wall only.
- To reduce the risk of electric shock and personal injury, ensure the location and hardware for all mounting is able to support this fan.
- Total weight of fan is 22 lbs (10 kg).
- This fan is recommended to be mounted by a qualified electrician.

### **TO INSTALL AS CEILING FAN (\*\*hardware not provided\*\*)**

1. Install the SHORT STAND POLE (4) to the wall with 4 special screws (2) for wooden ceiling tighten them SECURELY.
2. Locate the MOTOR (8) and insert into the SHORT STAND POLE (
3. Align the hole of the SHORT STAND POLE (4), tighten the screw & washer (7) SECURELY.
4. Install the safety wire rope (10) to the ceiling with screw & washer SECURELY.
5. Attach two 3-WING PLASTIC KNOBS (9) to the fan for adjusting the airflow angle.



### **WARNING:**

- Mount fan on a wooden ceiling only.
- To reduce the risk of electric shock and personal injury, ensure the location and hardware for all mounting is able to support this fan.
- Total weight of fan is 22 lbs (10 kg).
- This fan is recommended to be mounted by a qualified electrician.

## **OPERATING INSTRUCTIONS**

### **TO ADJUST AIRFLOW UPWARD OR DOWNWARD:**

Tilt fan head to the desired angle by loosening the KNOB, then firmly tighten it back.

### **SPEED CONTROL**

Rotate SWITCH to OFF (0), HIGH (4), MEDIUM (3), MEDIUM (2) and LOW (1) speeds for respective air velocity.

It is normal for the motor to feel warm to touch after continuous operation. This fan features a thermal cutoff that will automatically shut off should it overheat for any reason. If this happens, immediately unplug the fan from the outlet.

### **CLEANING**

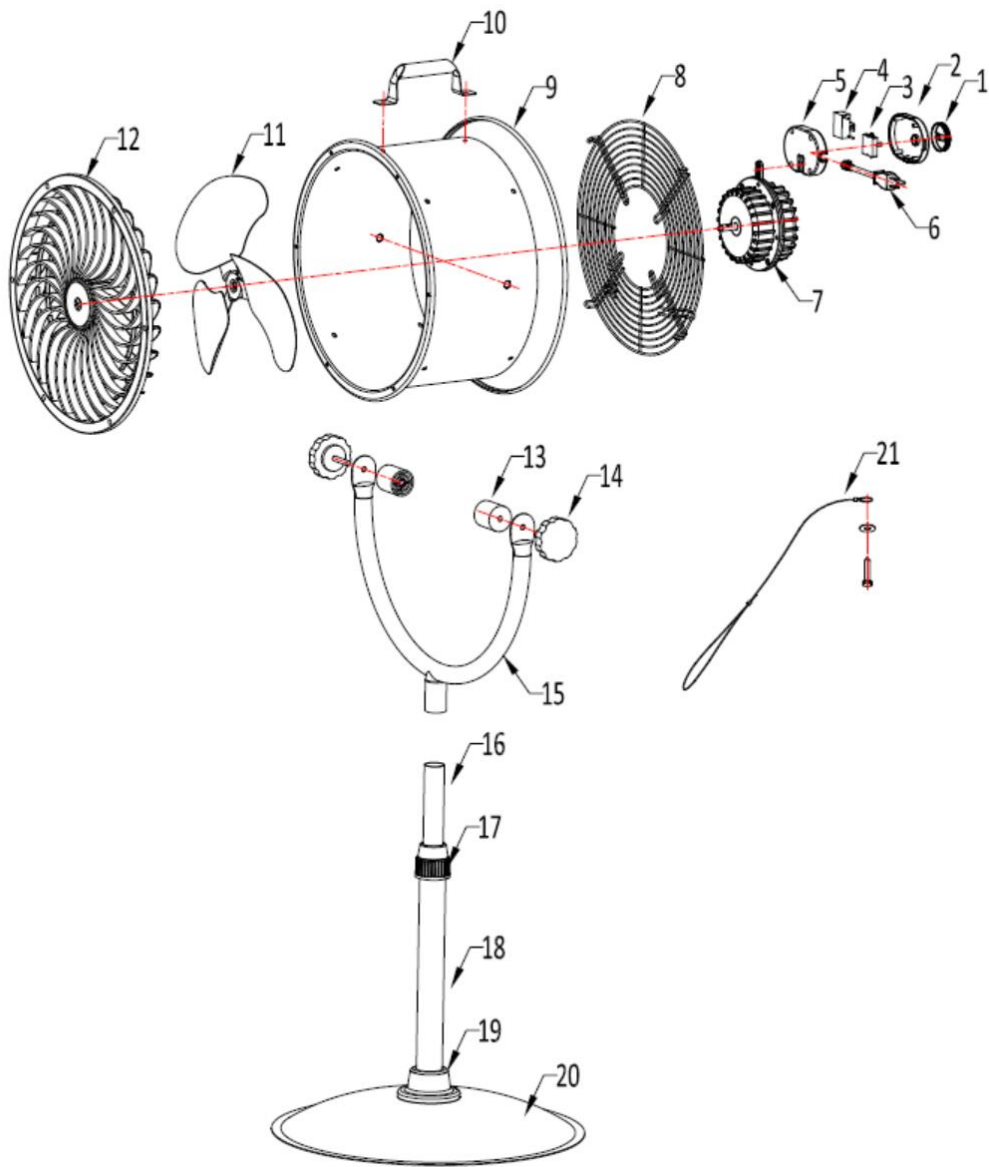
**WARNING:** Unplug from electrical supply source before cleaning.

After servicing, any safety device (including grilles and blades) must be reinstalled or remounted as previously installed:

- Use soft damp cloth to clean. Then wipe with dry cloth.
- Do not use a cleaning solution that is harmful to paints or plastics.
- Do not bend the blades.
- The motor bearings are permanently sealed and do not require additional lubrication.

## **3-Year Warranty**

| No. | PART NAME        | No. | PART NAME    |
|-----|------------------|-----|--------------|
| 1   | KNOB             | 12  | FRONT GRILLE |
| 2   | FORNT SWITCH BOX | 13  | WASHER       |
| 3   | SWITCH           | 14  | KNOB         |
| 4   | CAPACITOR        | 15  | U BRACKET    |
| 5   | REAR SWITCH BOX  | 16  | INNER TUBE   |
| 6   | POWER CORD       | 17  | PLASTIC NUT  |
| 7   | MOTOR            | 18  | STAND POLE   |
| 8   | REAR GRILLE      | 19  | COVER RING   |
| 9   | METAL DRUM       | 20  | BASE         |
| 10  | HANDLE           | 21  | SAFETY CABLE |
| 11  | FAN BLADE        |     |              |





[www.cat.com](http://www.cat.com) / [www.caterpillar.com](http://www.caterpillar.com)  
© 2020 Caterpillar. All Rights Reserved. CAT, CATERPILLAR, and their respective logos, "Caterpillar Yellow," the "Power Edge" and Cat "Modern Hex" trade dress as well as corporate and product identity used herein, are trademarks of Caterpillar and may not be used without permission.  
Orient Fan Co., a licensee of Caterpillar Inc.