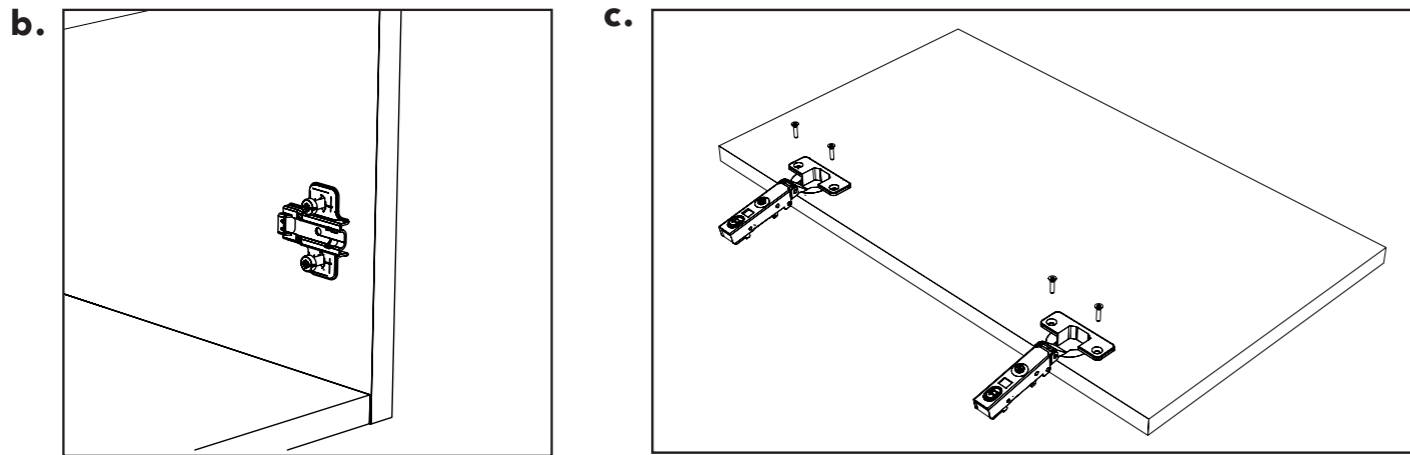
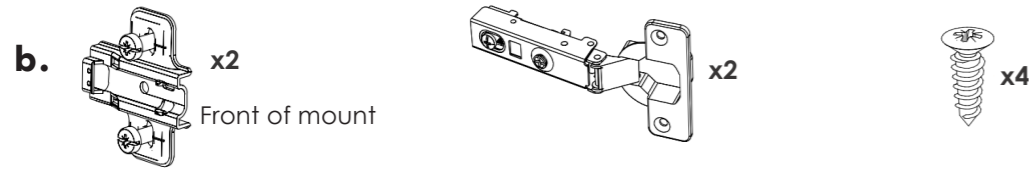


7. Attach the Door.

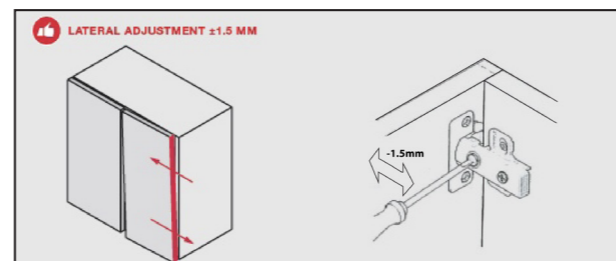
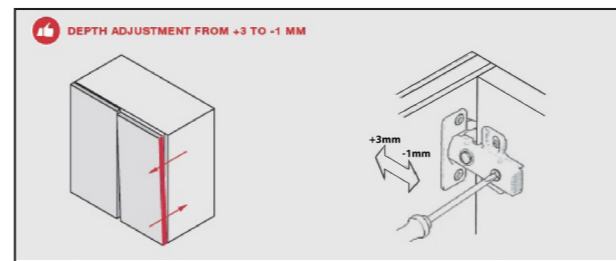
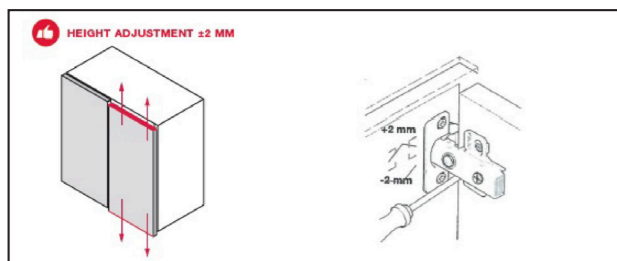
a. Fit hinge mounts and hinges.

- a. Determine which side(s) of the vanity unit should have the hinges. Standard doors can be installed in either hinge orientation.
- b. Use supplied screws to fix hinge mounts to the vanity. Front of hinge mounts should be at the front of vanity as shown.
- c. Using the 15mm screws supplied, fit the hinges to door panel. Handles and handle template sold separately.



b. Fit Doors to Vanity.

- a. Line hinges up with hinge mounts. Clip the front of the hinge into place. Then press the back of the hinge until it clicks and locks.
 - b. Adjust doors after fixing vanity to the wall, as shown in diagram.
- Note:** To remove the door, push the lever at the back of the hinge and pull hinge away from side panel.



connex

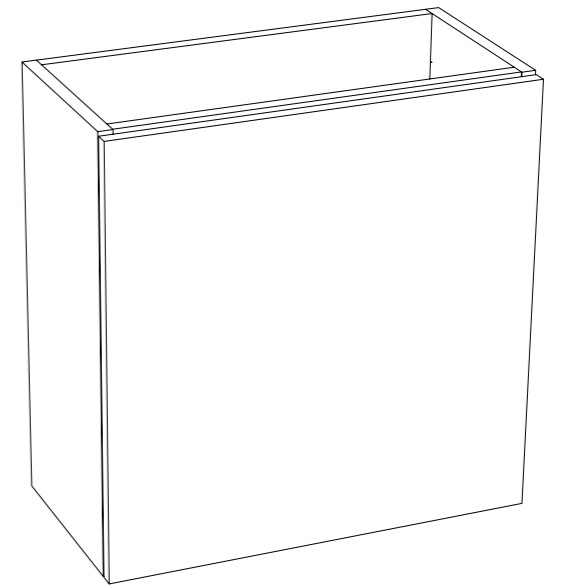
BATHROOM

Toilet Vanity

Assembly Instructions

Suitable for:

400mm / 500mm Wall hung
Toilet Vanity door included



Bathroom Panels included.	SIDE PANELS (2)	BACK PANEL (1)	BASE PANEL (1)	SHELF PANEL (1)	DOOR PANEL (1)
			 RAIL PANEL (1)		

HÄFELE Hardware included.	SCREWS	MINIFIX CAMS (12)	DOWELS (14)	DOOR HARDWARE

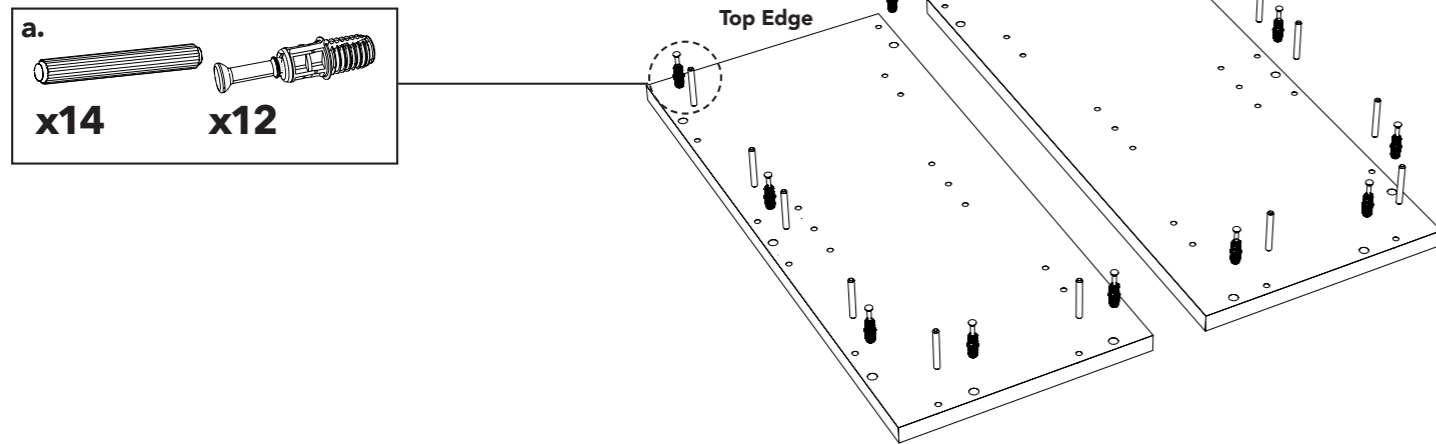
Required Tools.	POWER DRILL	PZ2 BIT	SCREWDRIVER

Handy Note: Please read the instructions carefully before you start and make sure to identify the parts you need for each step. When assembling it is best to do on a soft surface to prevent damage. **Your Connex 15 Year Home Use Warranty will not apply to incorrectly assembled and/or installed product. Follow the advice of your selected wall fixings (sold separately) to ensure your product is supported once loaded.**



1. Insert Dowels into Side Panels.

a. Lay panels down on a flat surface, insert the dowels and mini fix dowels into the holes.

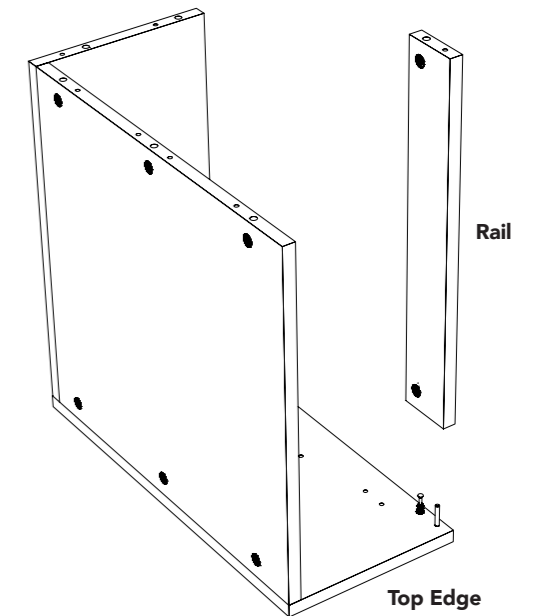
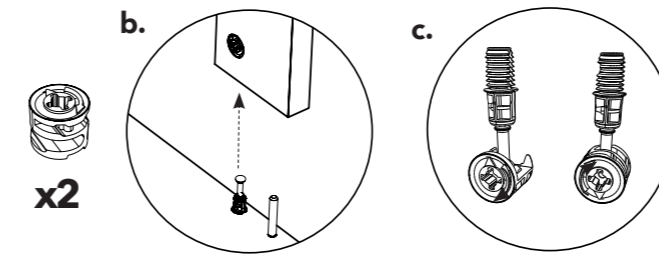


4. Fix Rail onto Side Panel.

a. Insert the cams into the rail panel, with the triangle on the cam pointing towards the adjacent hole.

b. Fit the rails to the side panel as shown.

c. Lock cams using a screwdriver, turning clockwise:

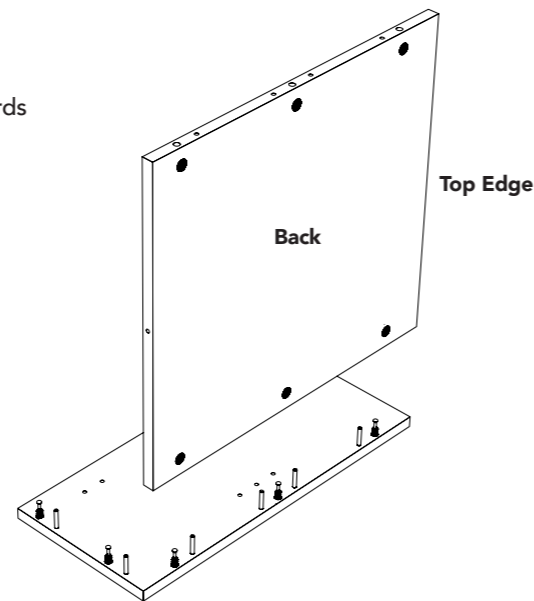
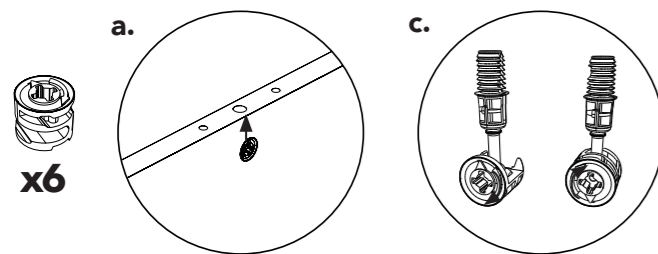


2. Fix Back Panel to Side Panel.

a. Insert the cams into the back panel, with the triangle on the cam pointing towards the adjacent hole.

b. Fit the back panel to a side panel as shown. Ensure cams face outwards.

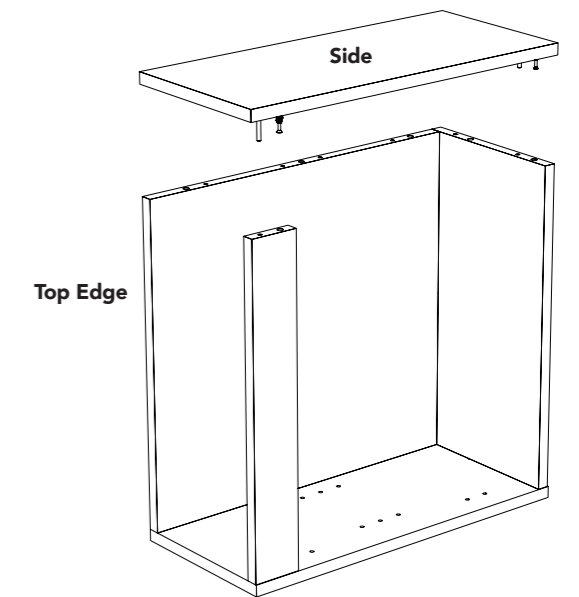
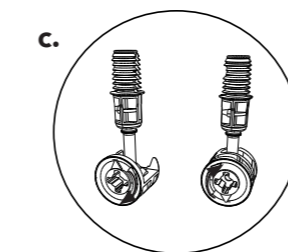
c. Lock cams using a screwdriver, turning clockwise.



5. Fix remaining Side Panel.

a. Align the dowels on the side panel with the back, base and rail panels as shown. Push panels together.

b. Lock all remaining cams using a screwdriver, turning clockwise.

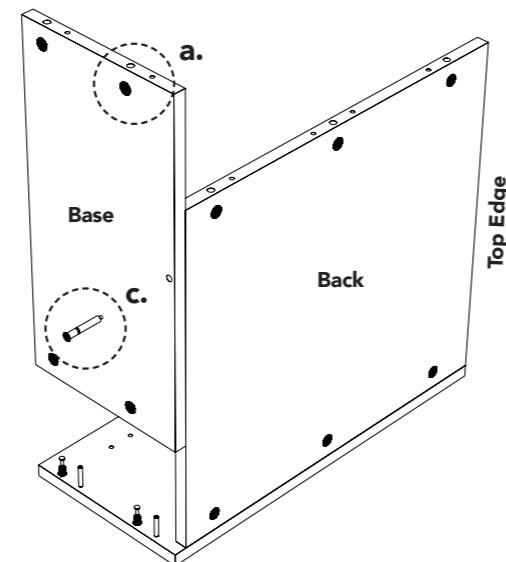
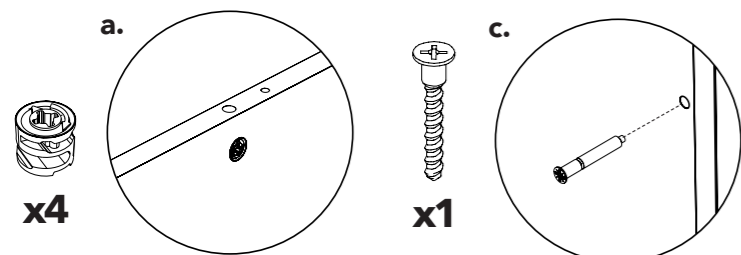


3. Fix Base Panel to Side and Back.

a. Insert the cams into the base panel, with the triangle on the cam pointing towards the adjacent hole. Fit the back panel to a side panel as shown here.

b. Lock cams using by turning clockwise with a screwdriver, ensure cams face outward.

c. Fix the base panel to the back panel using supplied cabinet screw.



6. Insert the Shelf Pins and Shelf.

a. Insert the 4 shelf pins into the holes provided.

b. Sit the shelf on top of the shelf pins.

