

RAISED DOG BED

chic pets



www.chicpets.hk

PARTS LIST:

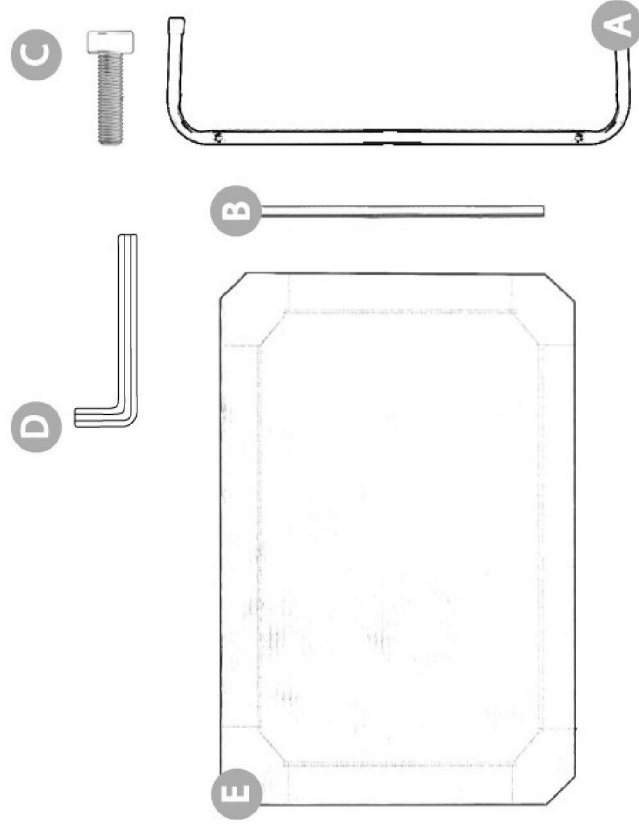
A: CURVED POLES x2

B: STRAIGHT POLES AT SHORT SIDES x2

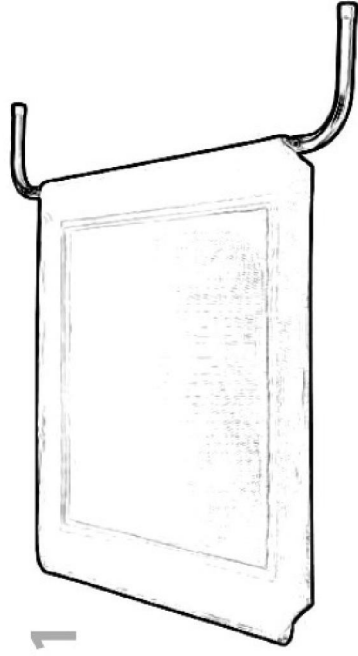
C: SCREWS x4

D: ALLEN KEY

E: FABRIC COVER

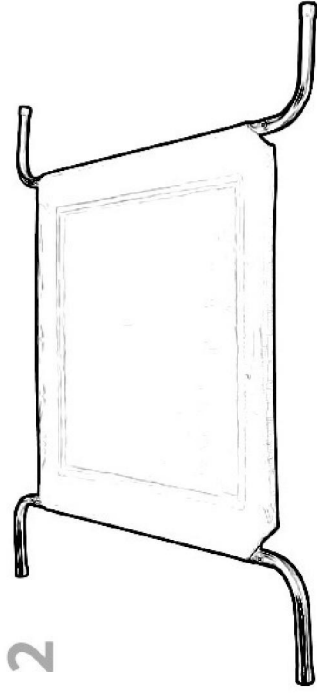


ASSEMBLY INSTRUCTIONS:



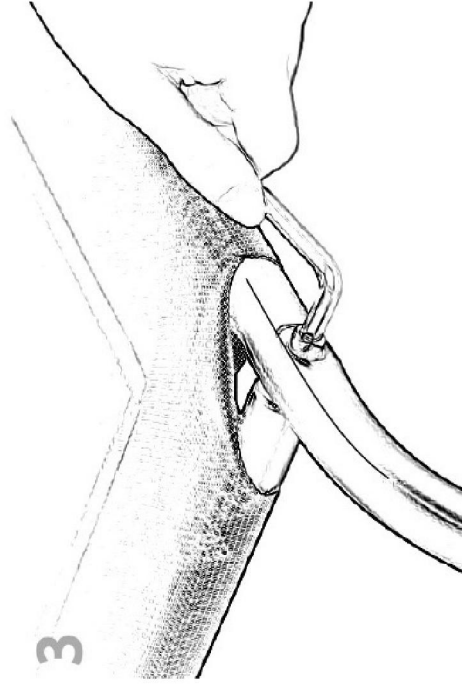
1 Identify the longer side of the fabric cover and insert one curved pole into the sleeve: and then the other curved pole on the other side

2



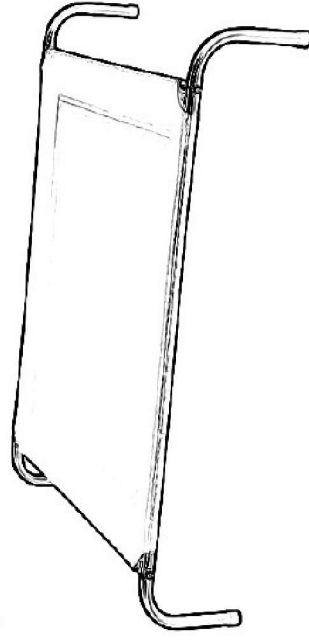
Insert two straight poles at shorts sides into the sleeve; then line up all the screw hole in the corners

3



Insert screws and properly tighten screws in the four corners with a hex key

4



Now, YOU ARE DONE!