

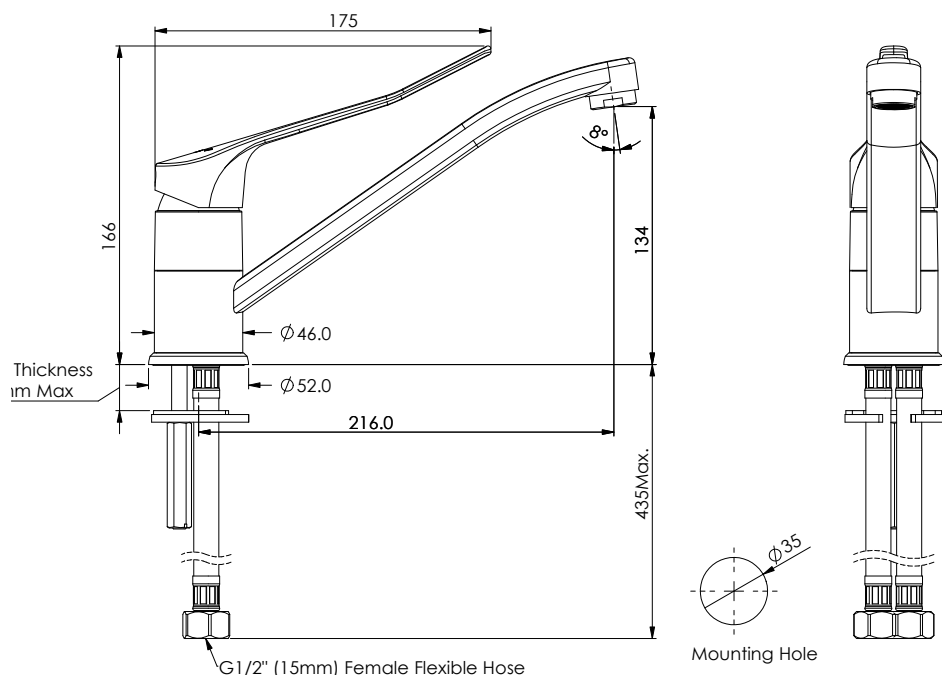
HELIX

Healthcare Sink Mixer

LF3508409CP-2 | Chrome

MP:4 STAR 7.0L/MIN
LP :5 STAR 6.0L/MIN
All Pressure

- Lead Free
- Swivel Spout
- Extended Lever for Assisted Living



NZ PHONE 0800 655 455
EMAIL nzsales@greenstapware.com
WEBSITE www.greenstapware.com

 | **GREENS**
where life meets water