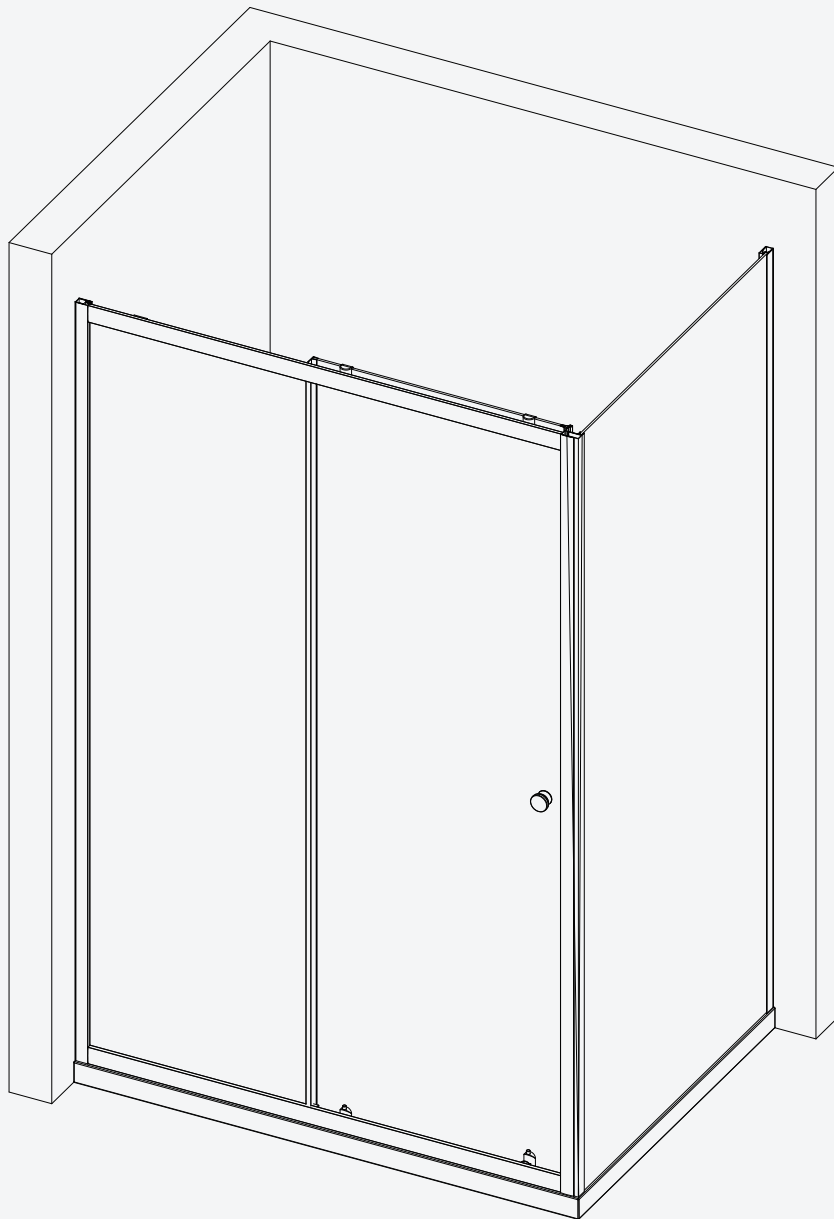




SHOWERS

Framed Slider

With Return Panel



0 2 2 6

Important

1. When you receive your product check the contents for any freight damage or defects
2. Do not install faulty products, as this will void your warranty.



Health and Safety

- **Unpack glass**, stand on soft packing on floor and walls prior to assembly.
- **Do not** rework glass panels.
- **Do not** strike an edge or corner of glass.
- **Use two persons** where heavy glass lifting is required.
- **Wear appropriate** protective clothing and eye protection during installation.
- **Mark gas/water pipe** and electrical wire locations to ensure these are not touched.

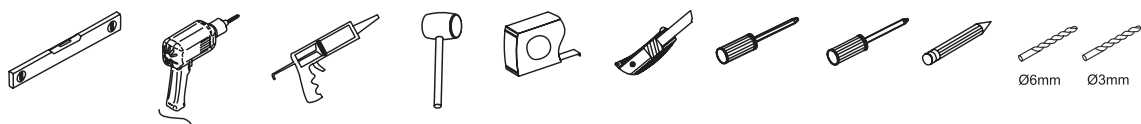


Attention

- **The tray base** must be installed level as this affects all shower alignments.
- **Wall Specifications** require a max variation of 3mm within shower height. Installer must check the viability of install if outside of these specs.
- **Double studs for solid fixing of wall channels:** Positioned at tray outside edge and inwards so all shower configurations have the support required.
- **The Installers Responsibility:** The installation must comply with all council regulations.



Tools Required

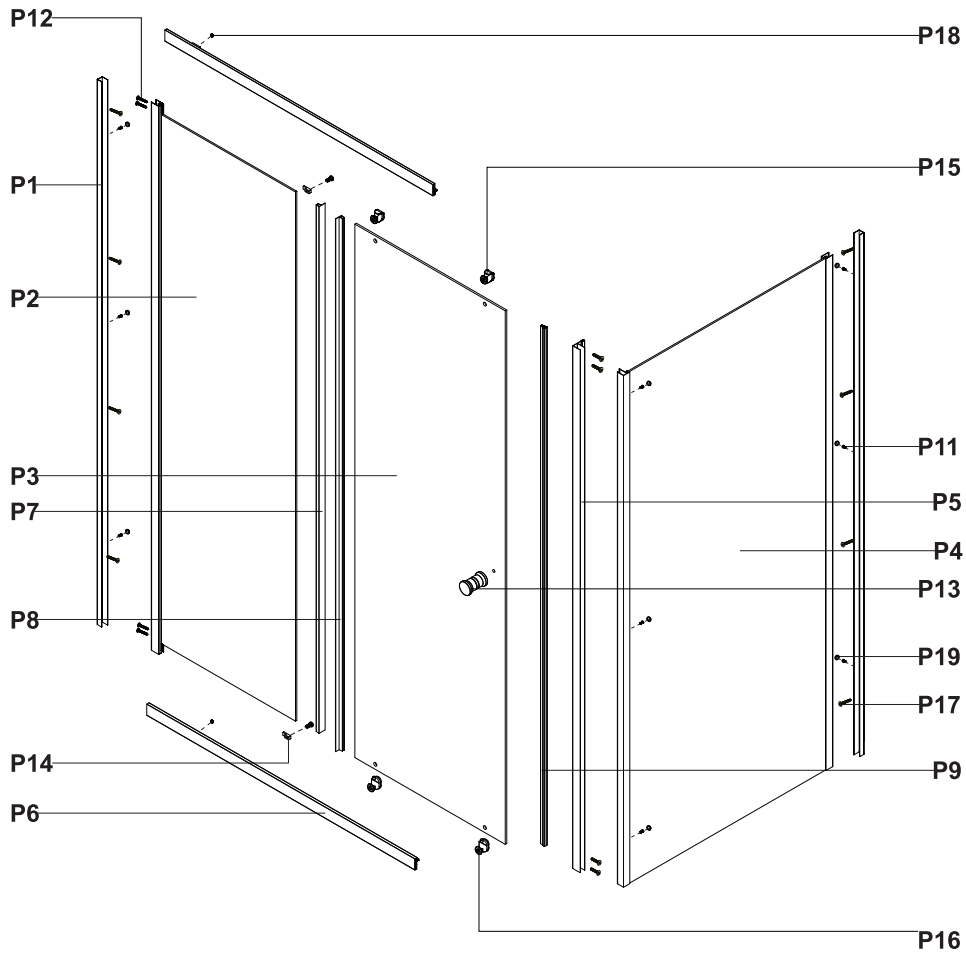


Warranty

- This covers faulty goods but not breakages.
- Compliance with Specs and these instructions are essential for a valid warranty.

WE RECOMMEND A SKILLED TRADESMAN ACQUAINTED WITH SHOWER INSTALLATIONS TO ENSURE THE VERY BEST OUTCOME.

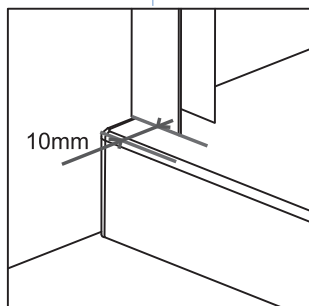
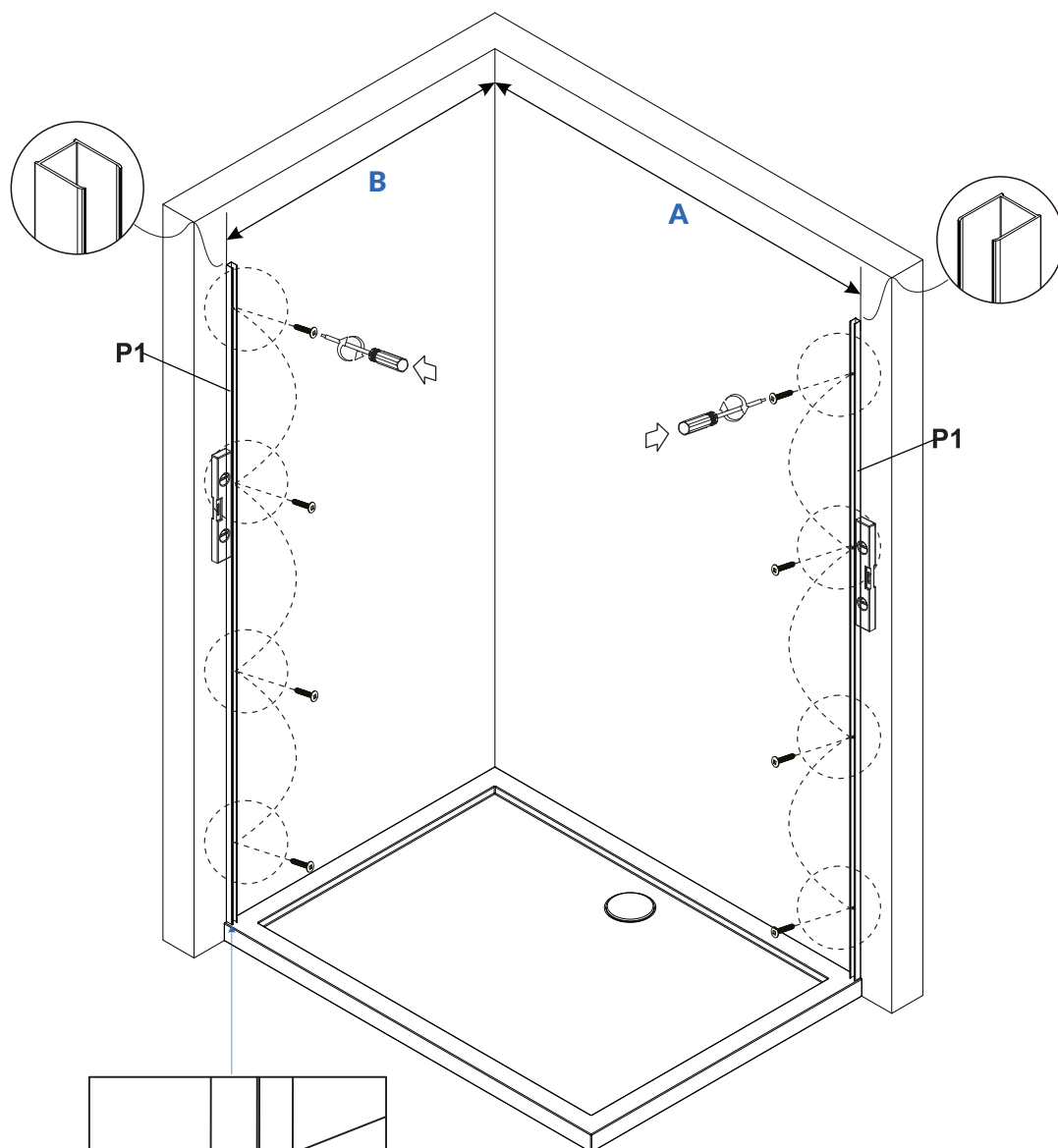
COMPONENTS



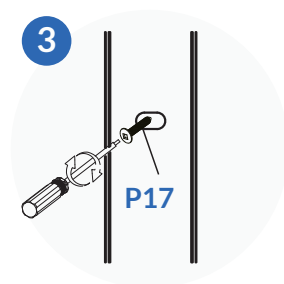
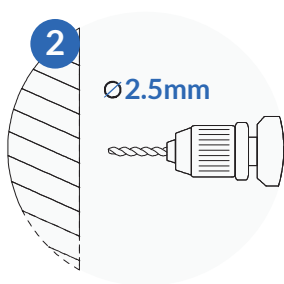
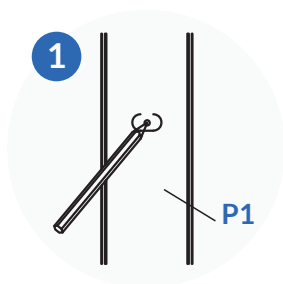
COMPONENTS LIST

<p>P1</p> <p>X2</p>	<p>P2</p> <p>X1</p>	<p>P3</p> <p>X1</p>	<p>P4</p> <p>X1</p>	<p>P5</p> <p>X1</p>
<p>P6</p> <p>X1</p>	<p>P7</p> <p>X1</p>	<p>P8</p> <p>X1</p>	<p>P9</p> <p>X1</p>	<p>P11</p> <p>ST4X10MM</p> <p>X11</p>
<p>P12</p> <p>ST3.5X20MM</p> <p>X8</p>	<p>P13</p> <p>X1</p>	<p>P14</p> <p>X2</p>	<p>P15</p> <p>X2</p>	<p>P16</p> <p>X2</p>
<p>P17</p> <p>ST3.5X35MM</p> <p>X8</p>	<p>P18</p> <p>X2</p>	<p>P19</p> <p>X9</p>		

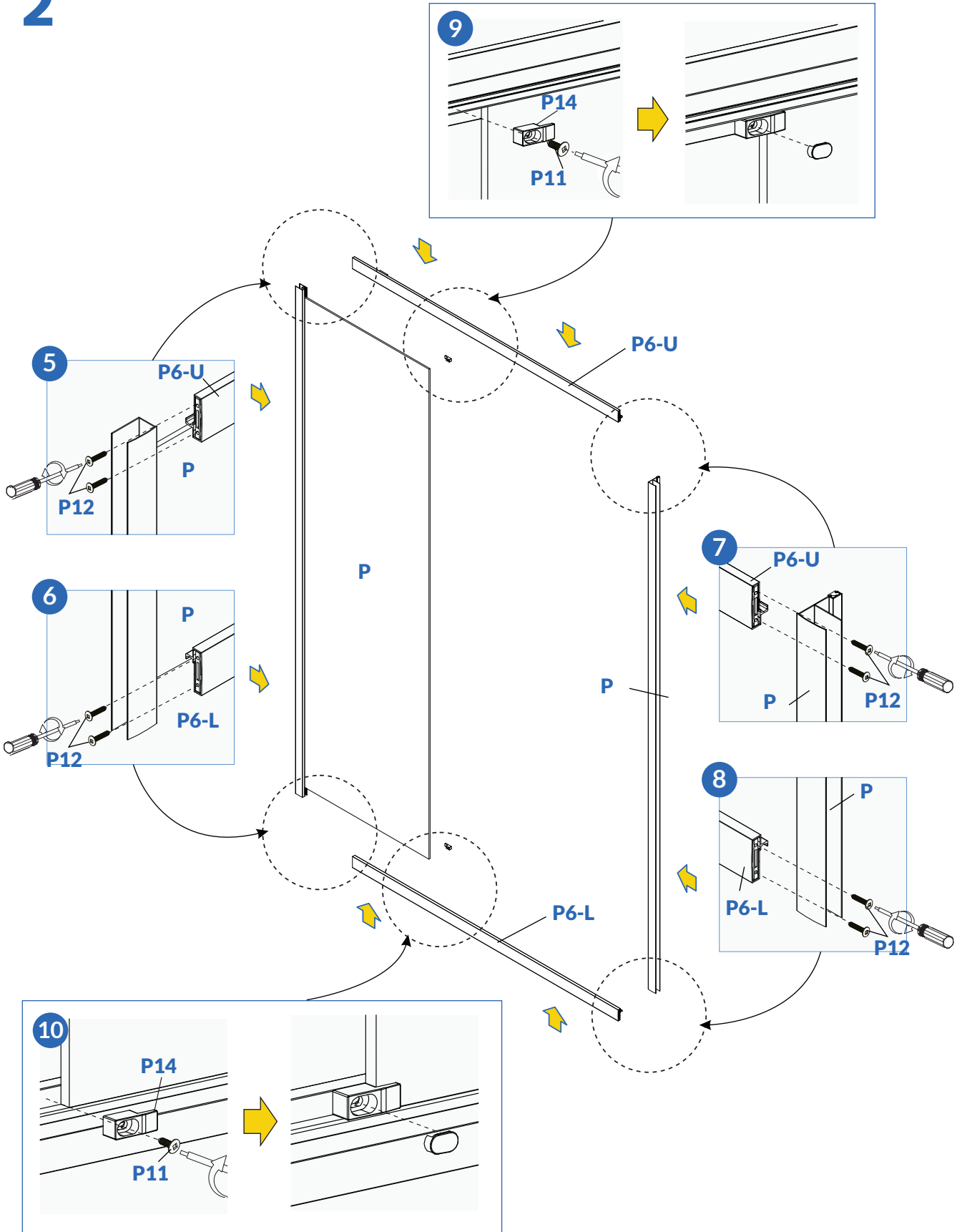
1



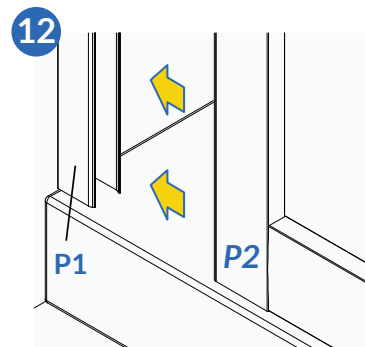
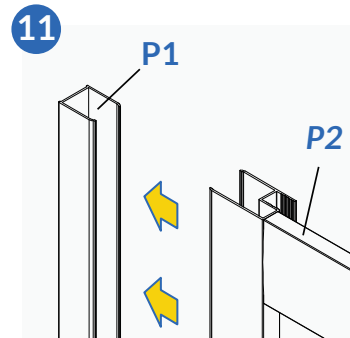
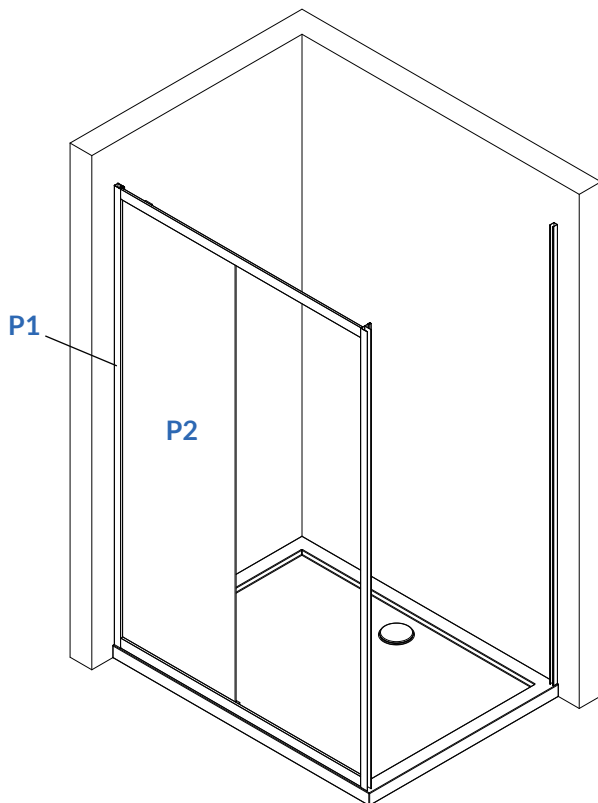
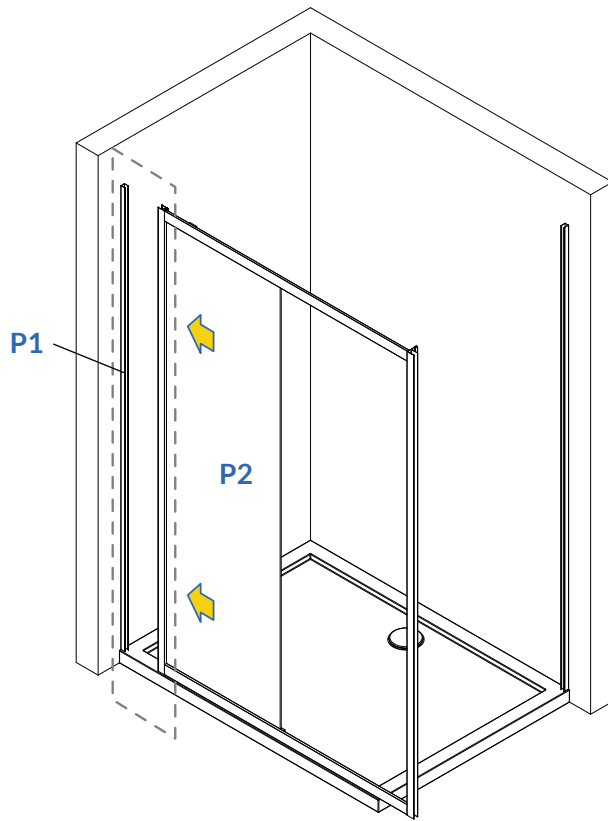
	A	B
1200x900	1170-1180	870-880



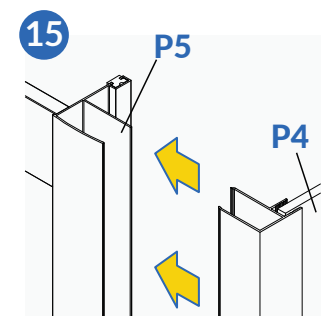
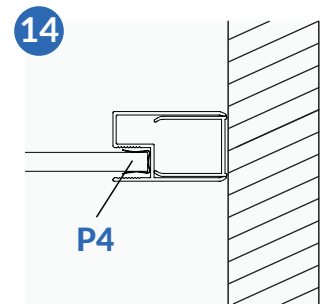
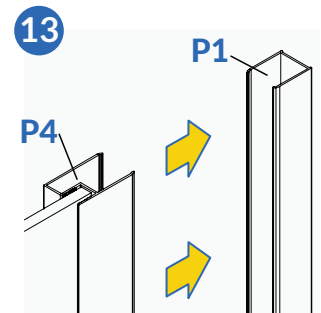
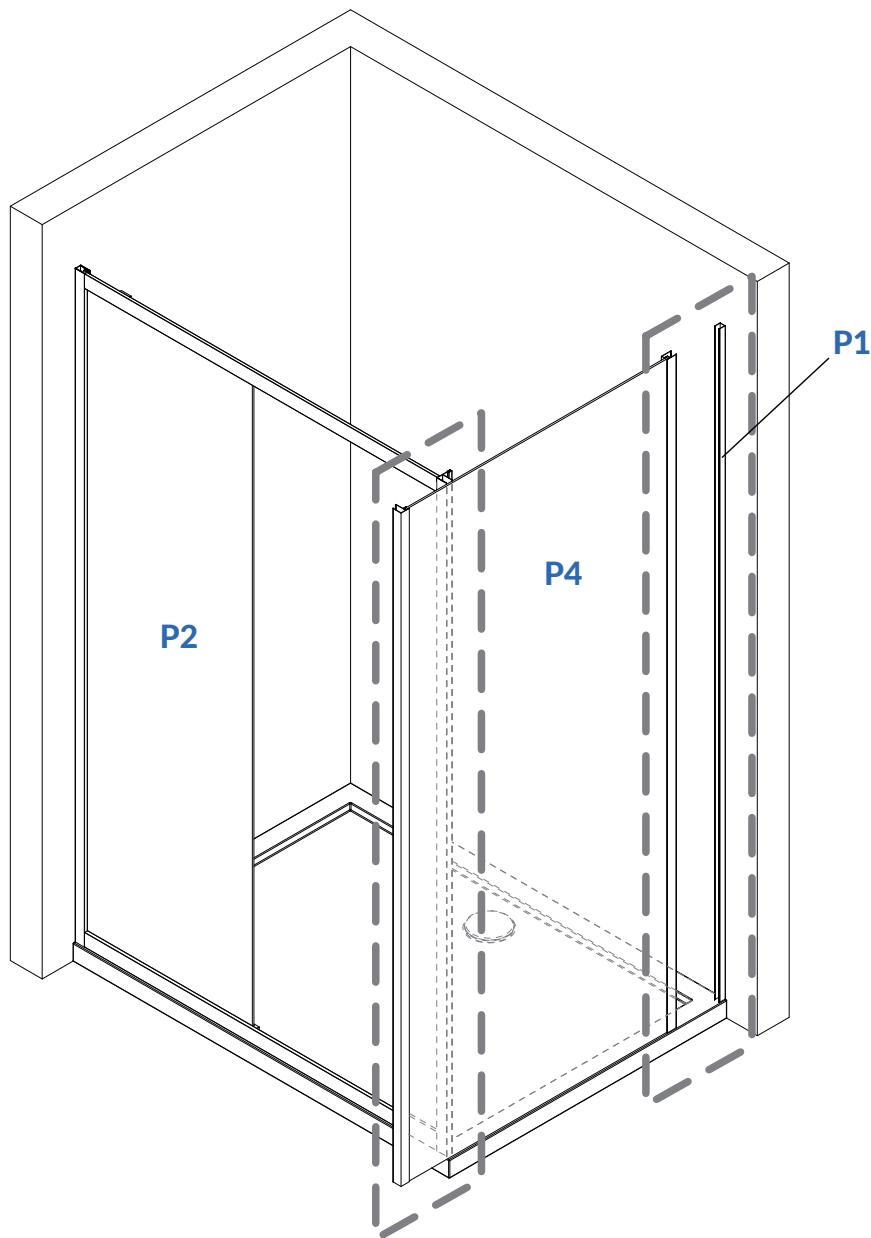
2



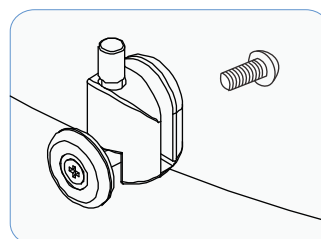
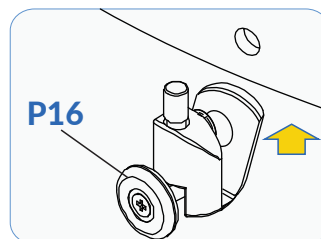
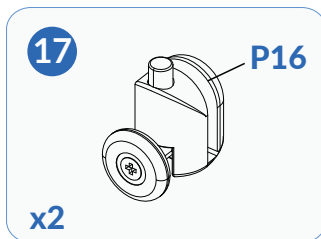
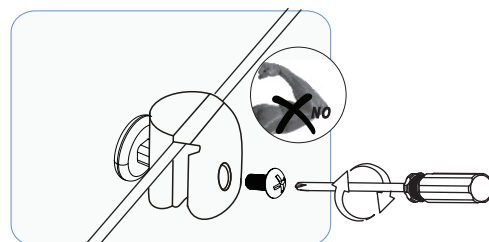
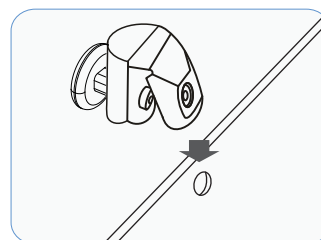
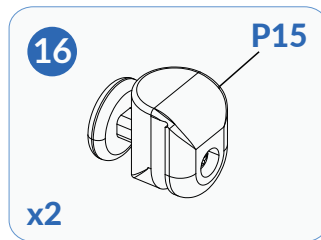
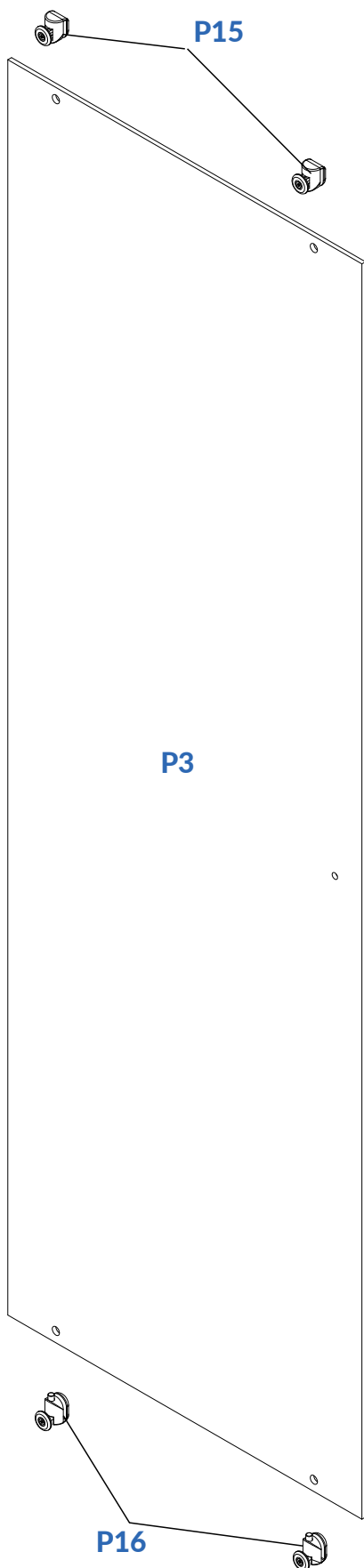
3



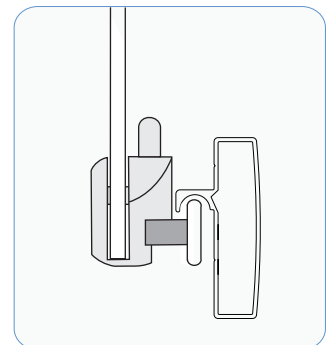
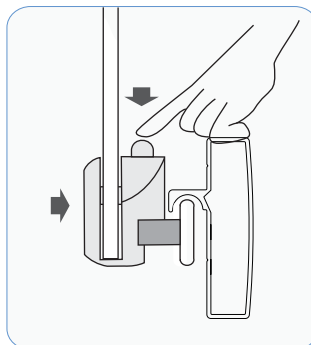
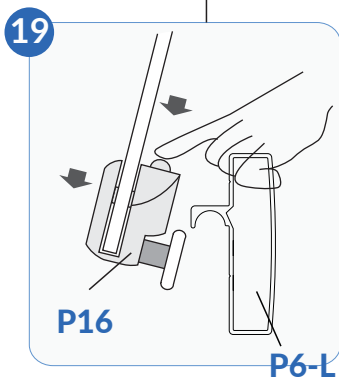
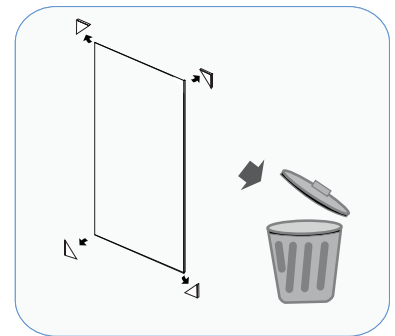
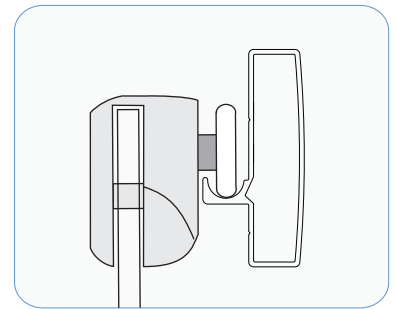
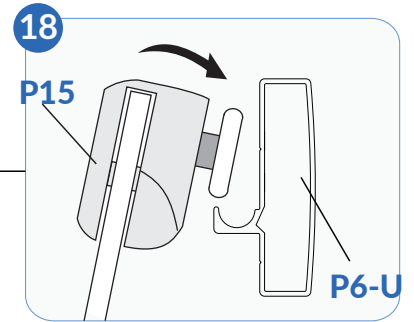
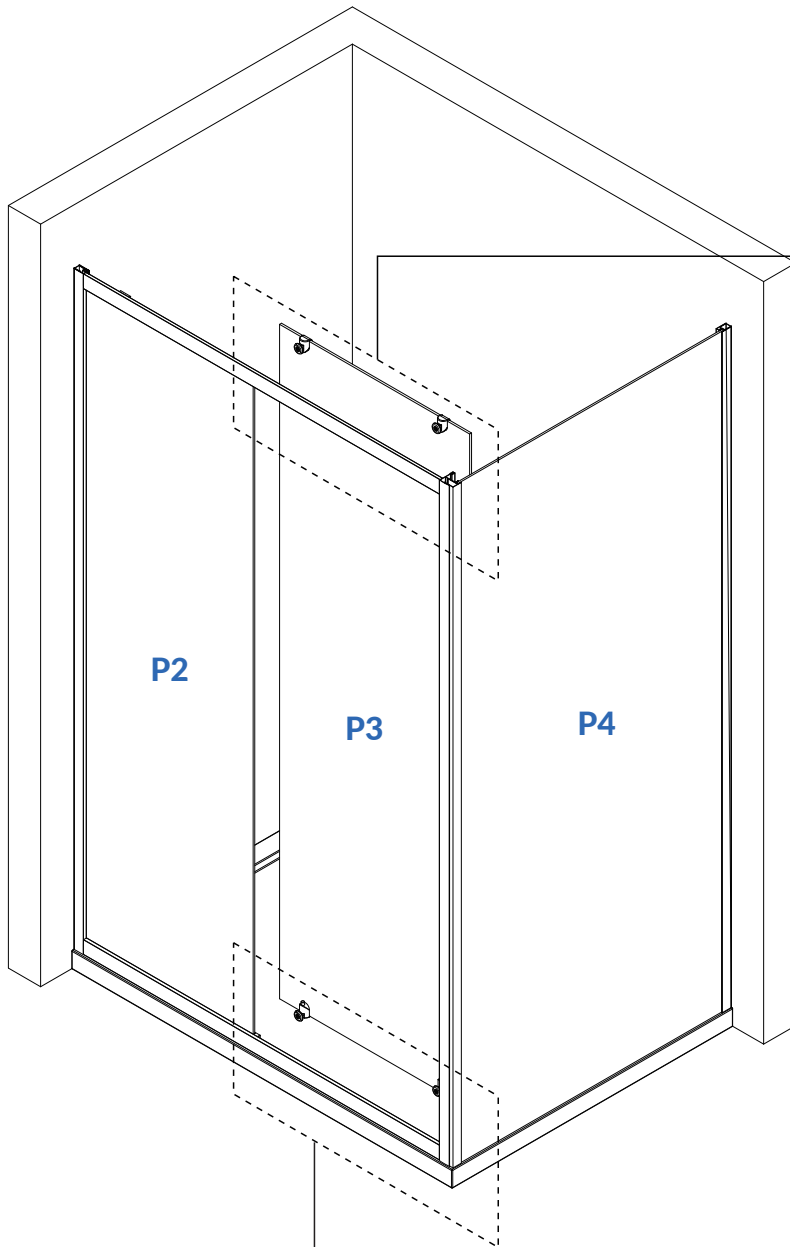
4



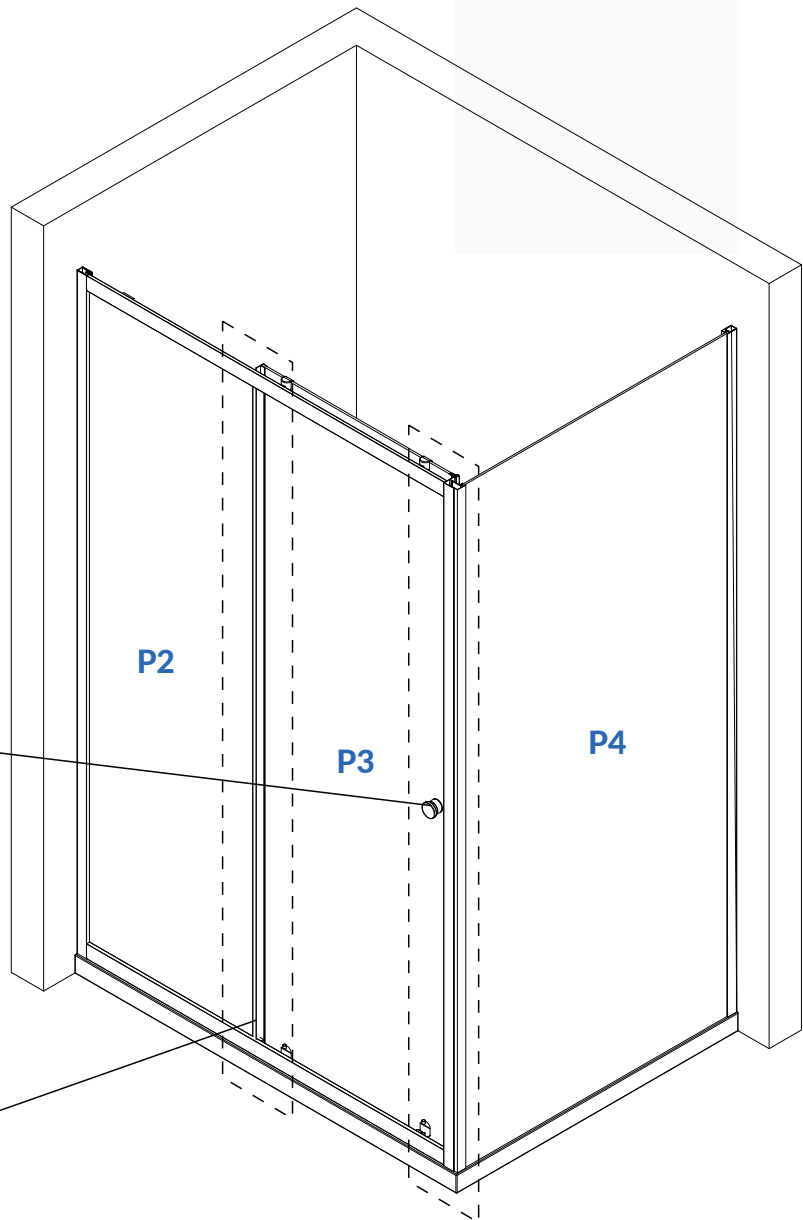
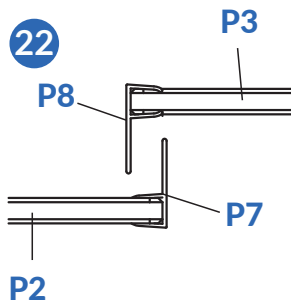
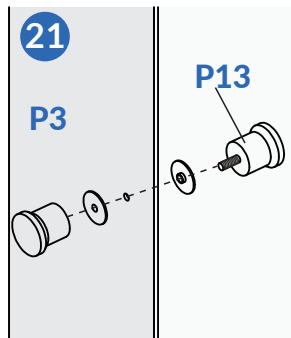
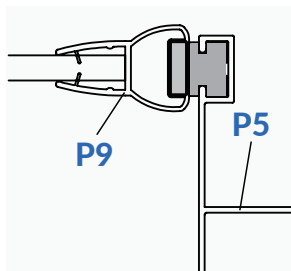
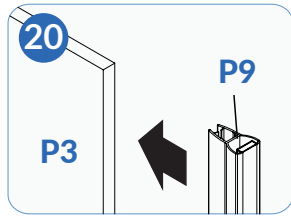
5



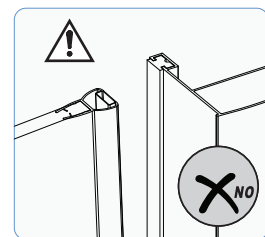
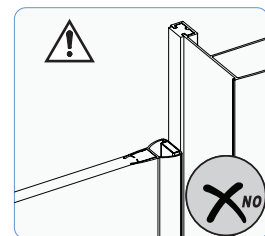
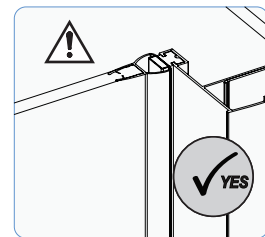
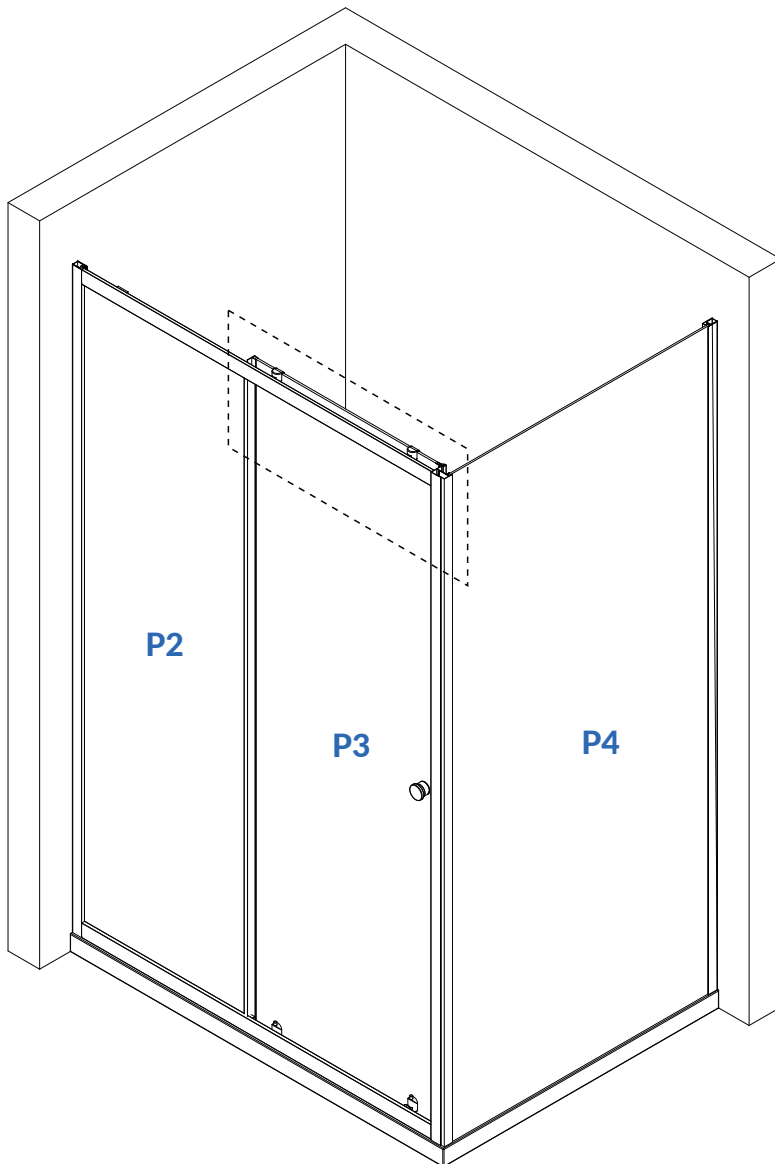
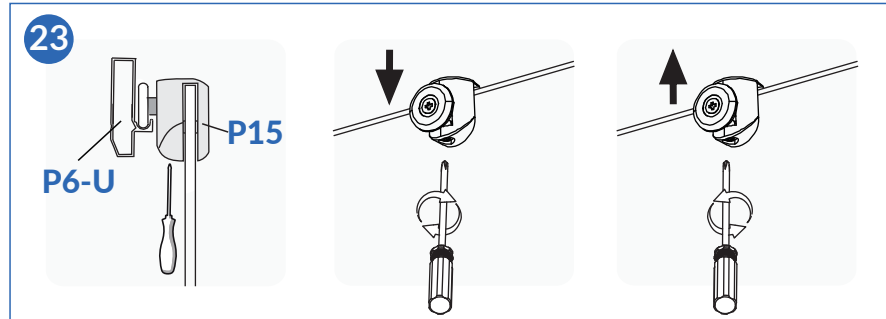
6



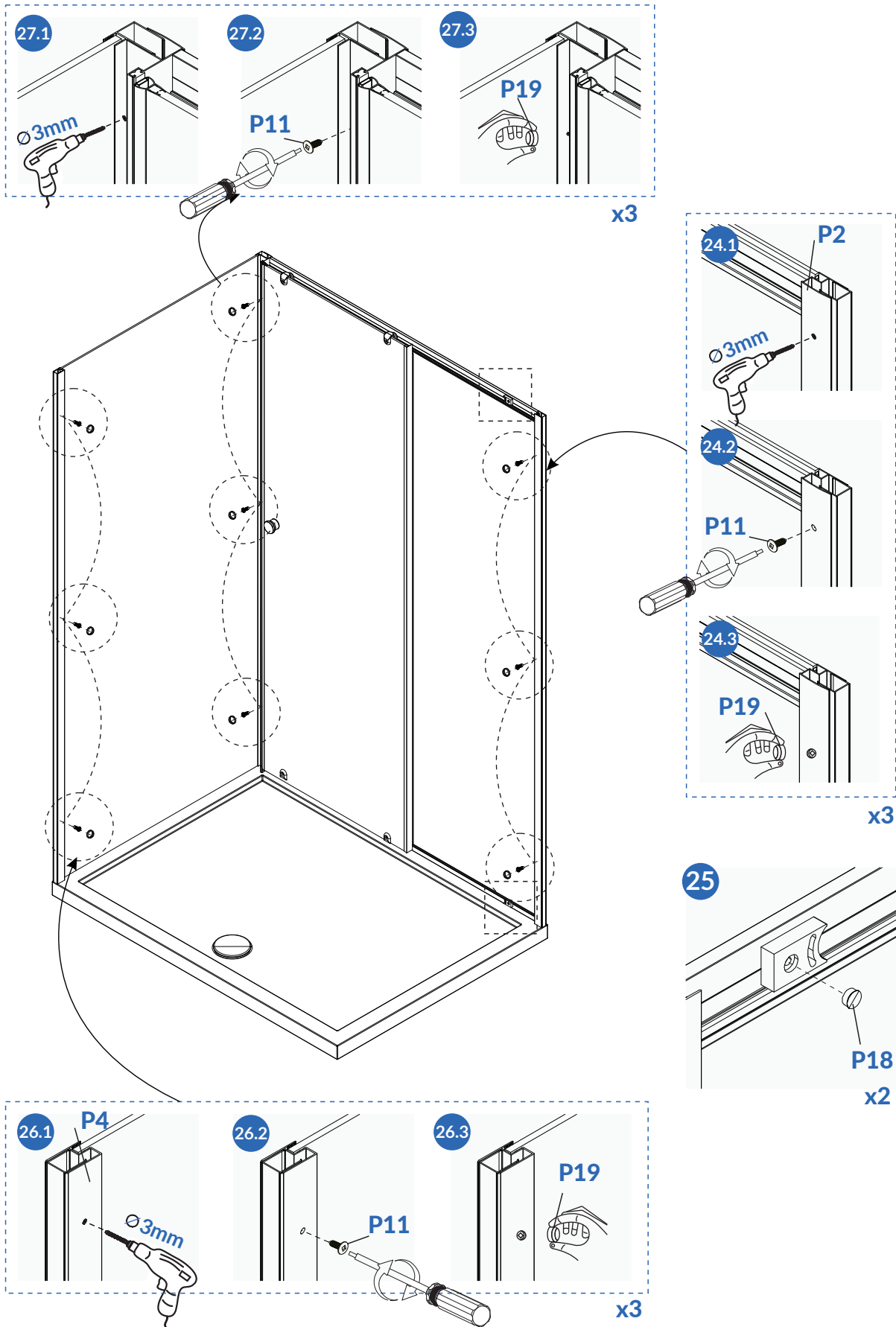
7



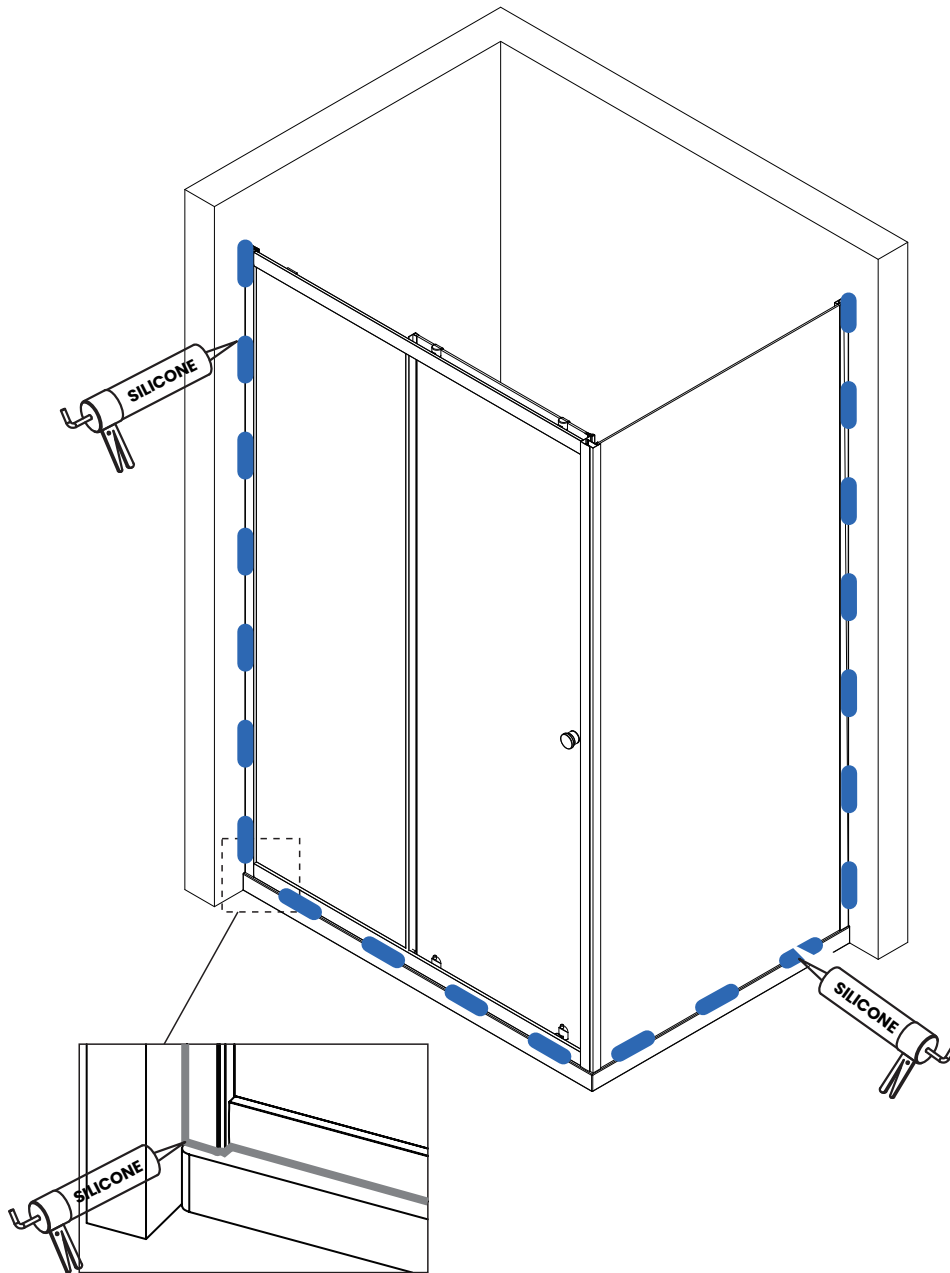
8



9



10



Allow 24 hours for silicone to dry before use.