



SHOWERS

# Curved Door



0 2 2 6

## Important

1. When you receive your product check the contents for any freight damage or defects
2. Do not install faulty products, as this will void your warranty.

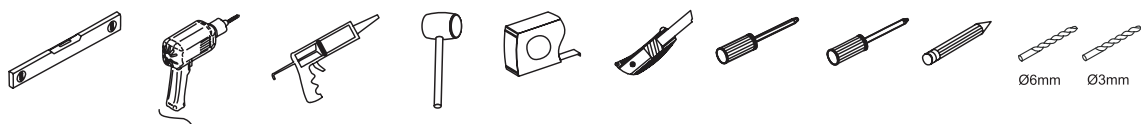
### Health and Safety

- **Unpack glass**, stand on soft packing on floor and walls prior to assembly.
- **Do not** rework glass panels.
- **Do not** strike an edge or corner of glass.
- **Use two persons** where heavy glass lifting is required.
- **Wear appropriate** protective clothing and eye protection during installation.
- **Mark gas/water pipe** and electrical wire locations to ensure these are not touched.

### Attention

- **The tray base** must be installed level as this affects all shower alignments.
- **Wall Specifications** require a max variation of 3mm within shower height. Installer must check the viability of install if outside of these specs.
- **Double studs for solid fixing of wall channels:** Positioned at tray outside edge and inwards so all shower configurations have the support required.
- **The Installers Responsibility:** The installation must comply with all council regulations.

### Tools Required

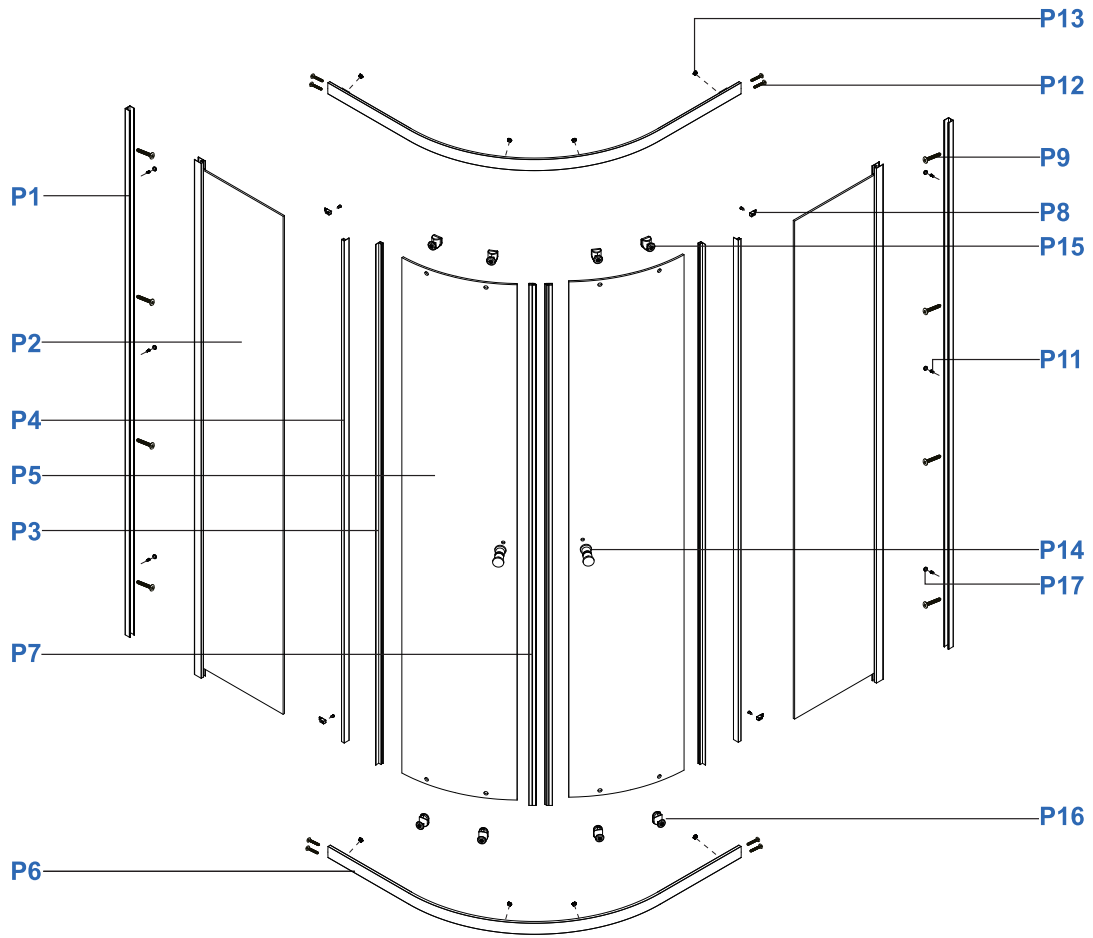


### Warranty

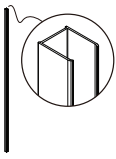





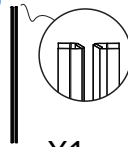
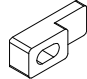









- This covers faulty goods but not breakages.
- Compliance with Specs and these instructions are essential for a valid warranty.

WE RECOMMEND A SKILLED TRADESMAN ACQUAINTED WITH SHOWER INSTALLATIONS TO ENSURE THE VERY BEST OUTCOME.

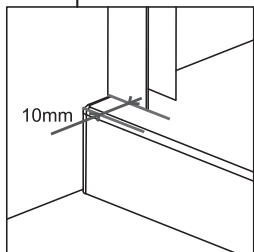
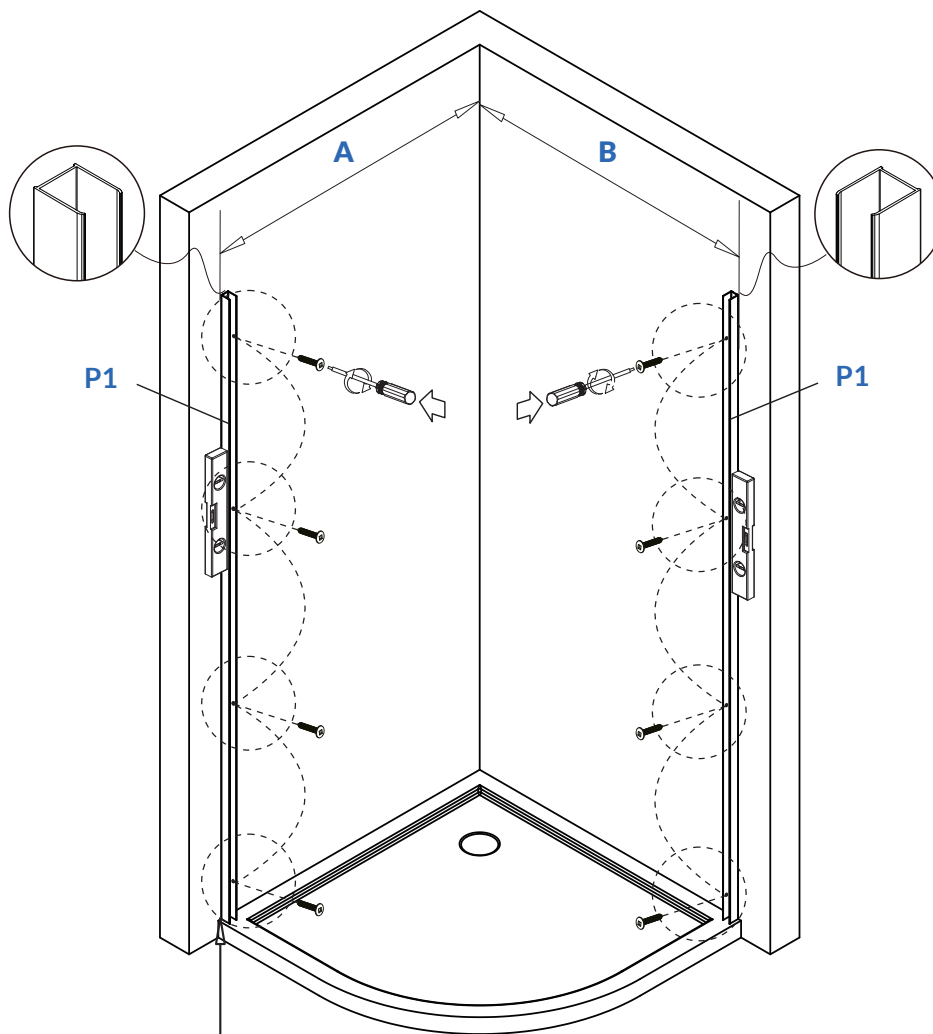
# COMPONENTS



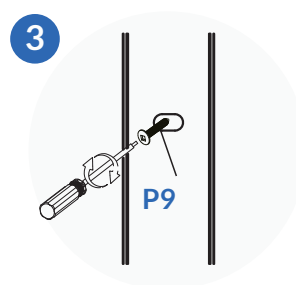
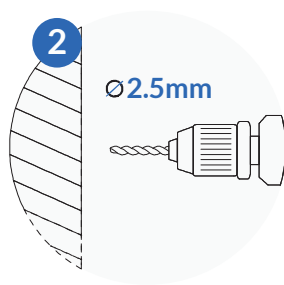
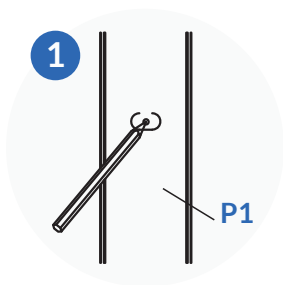
## COMPONENTS LIST

<b>P1</b>  X2	<b>P2</b>  X2	<b>P3</b> 1813mm  X2	<b>P4</b> 1750mm  X2	<b>P5</b>  X2
<b>P6</b>  X2	<b>P7</b>  X1	<b>P8</b>  X4	<b>P9</b> ST3.5X35MM  X8	<b>P10</b> ST4X10MM  X10
<b>P11</b>  X2	<b>P12</b> ST3.5X20MM  X8	<b>P13</b>  X8	<b>P14</b>  X2	<b>P15</b>  X4
<b>P16</b>  X4	<b>P17</b>  X6			

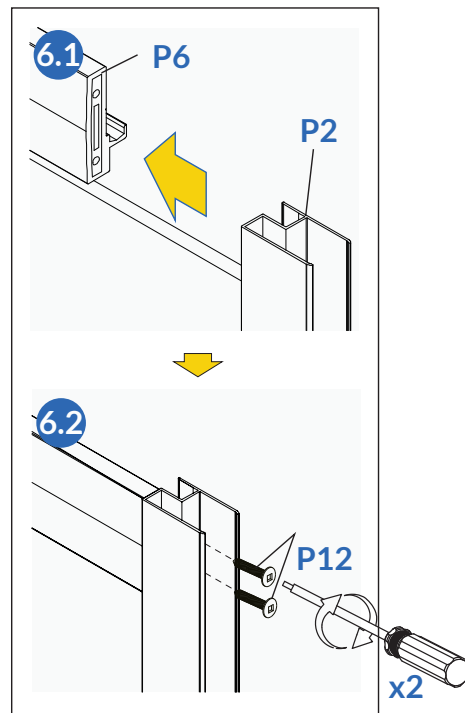
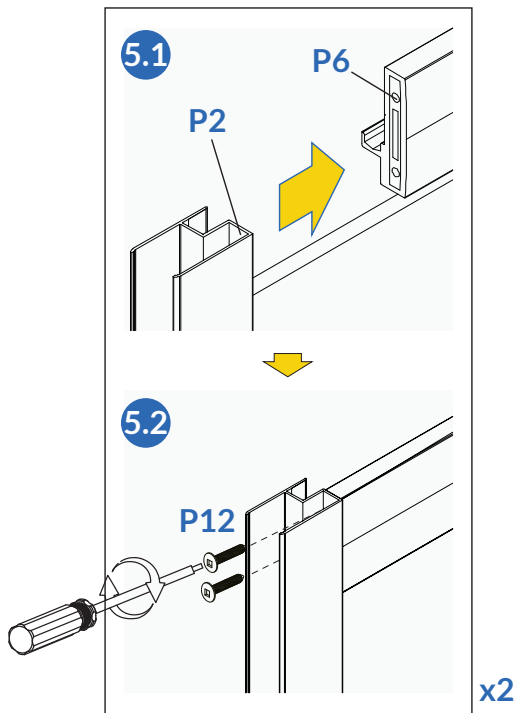
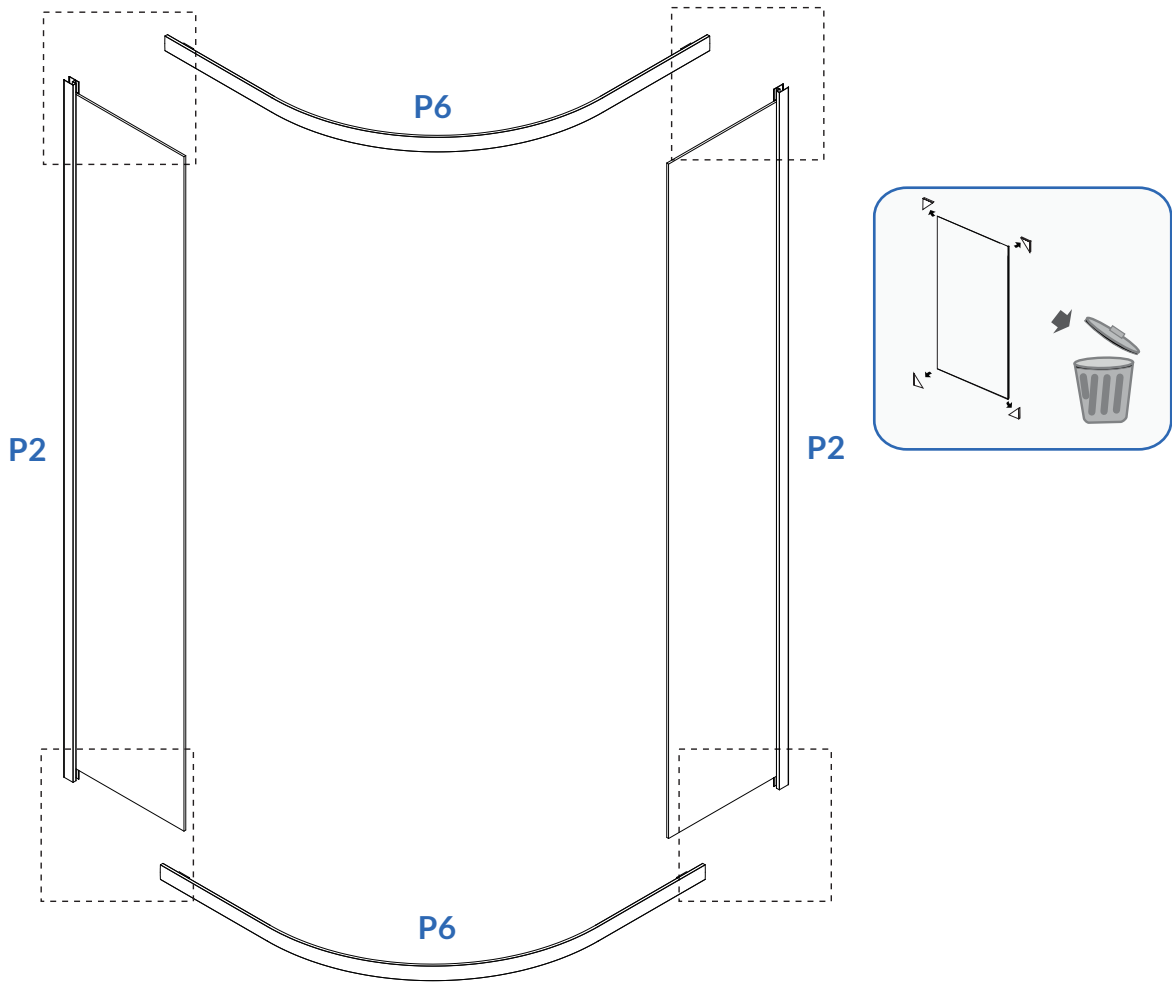
1



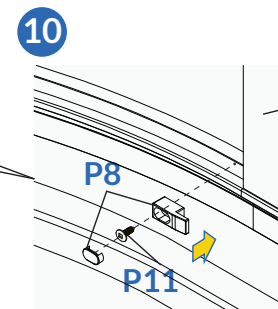
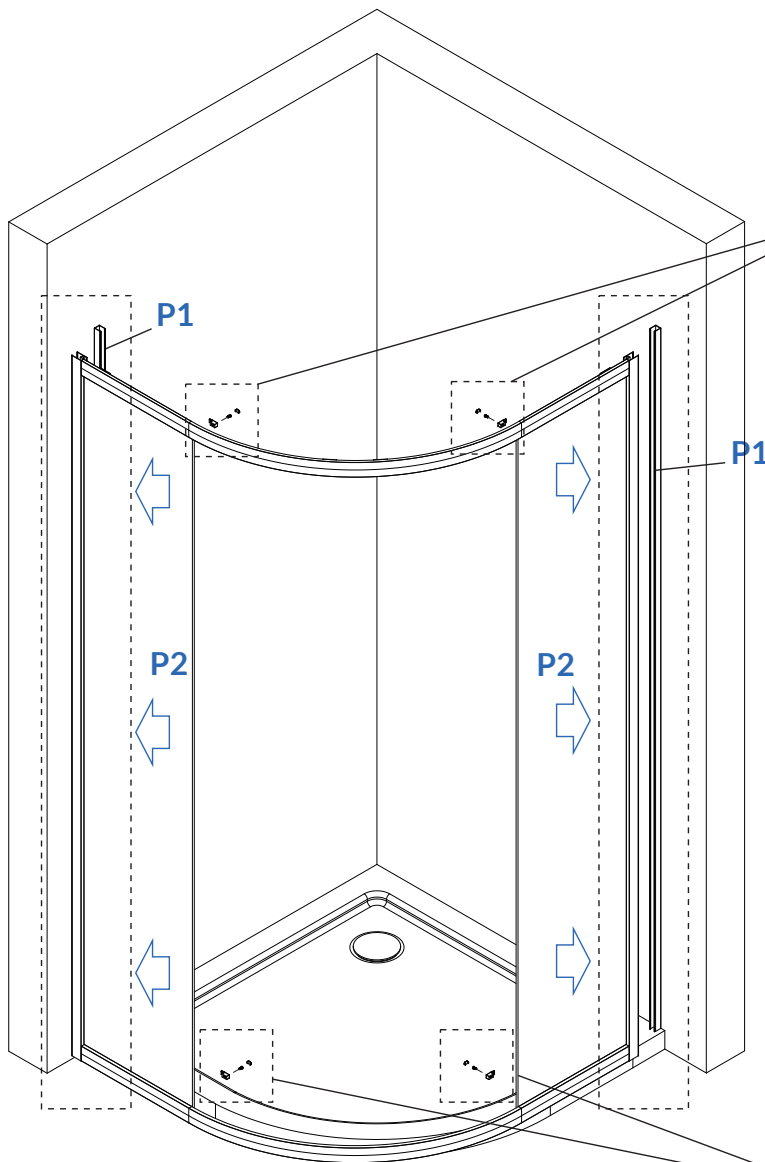
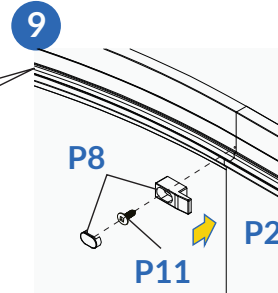
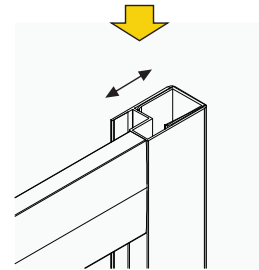
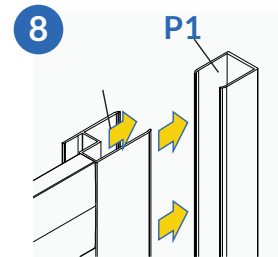
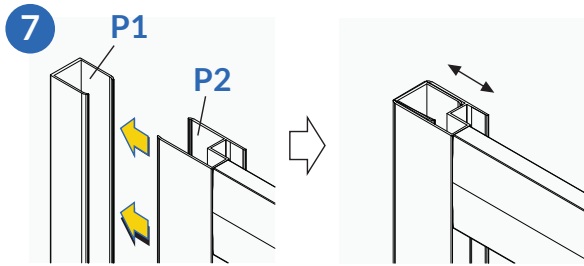
	A	B
900x900	870-880	870-880



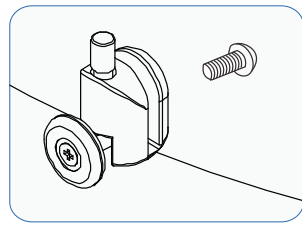
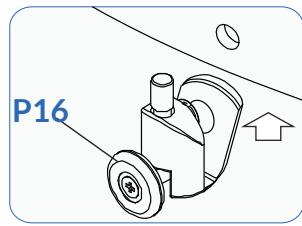
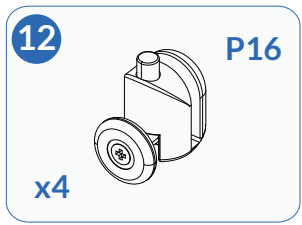
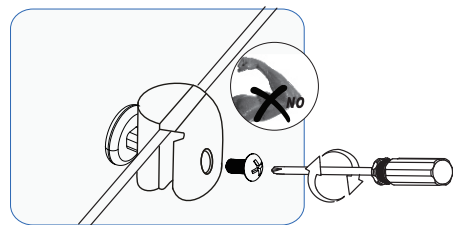
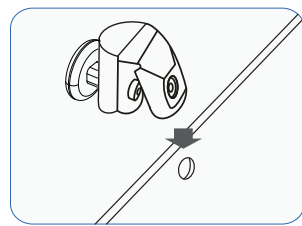
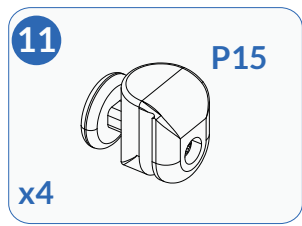
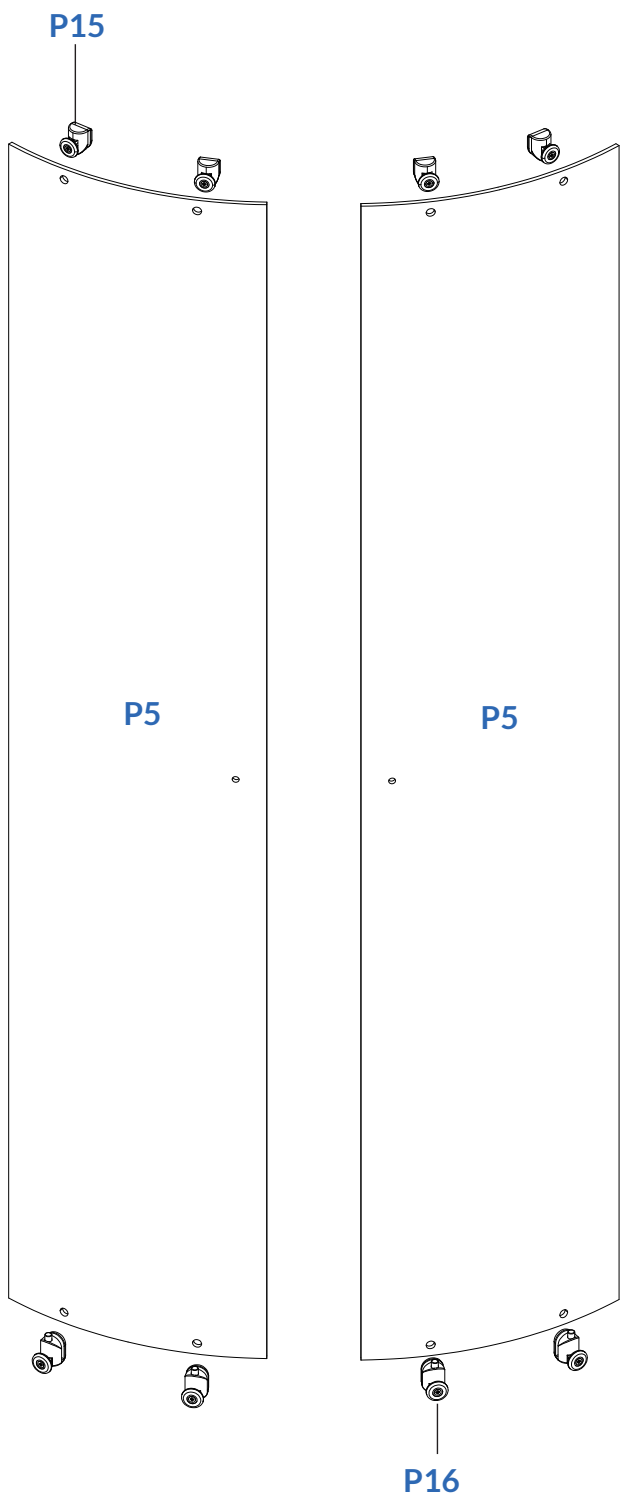
# 2



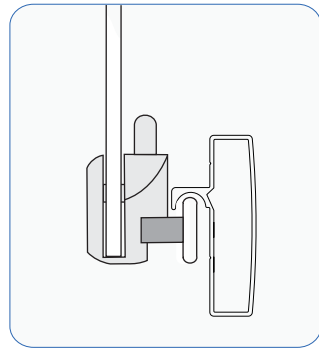
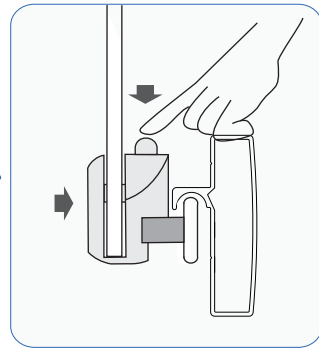
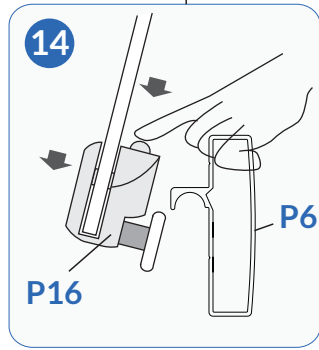
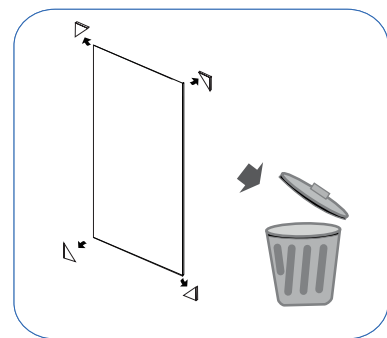
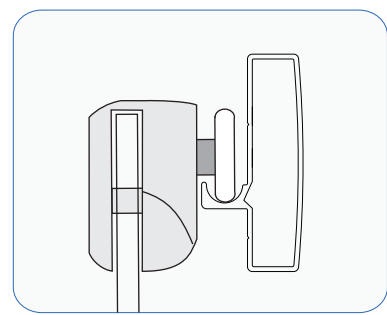
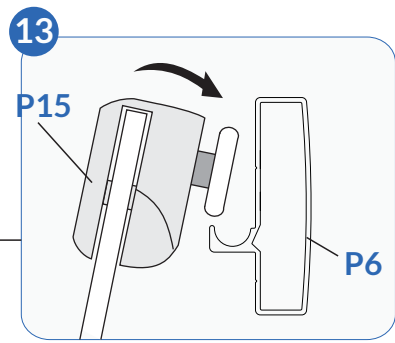
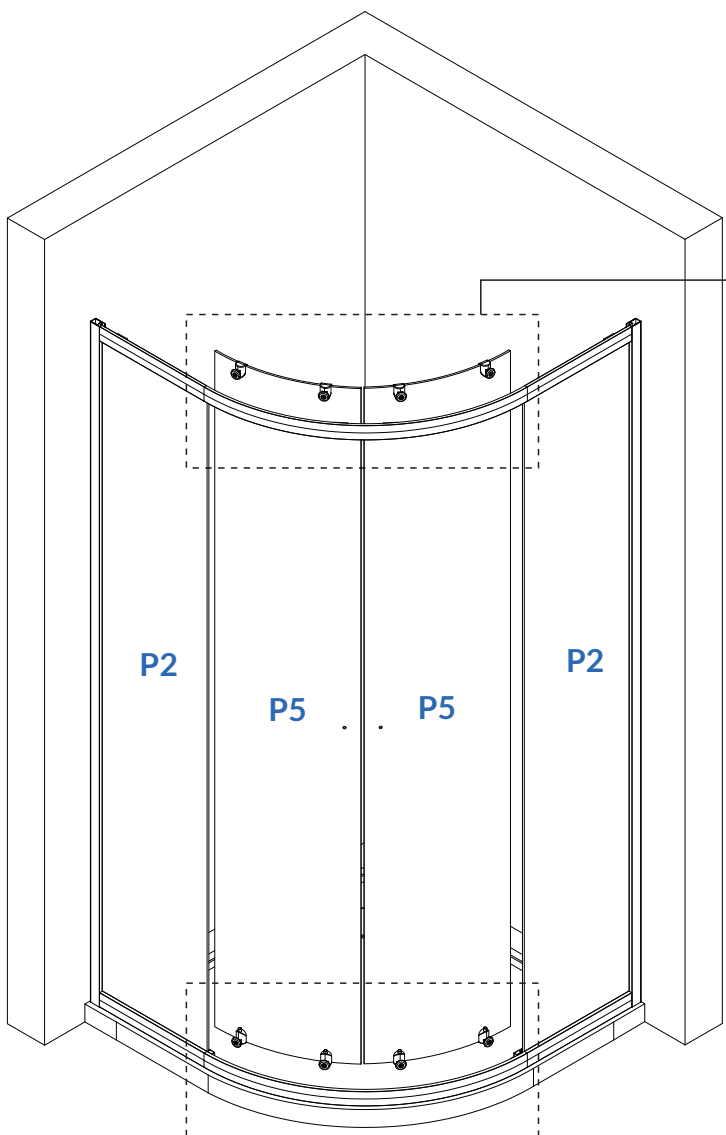
3



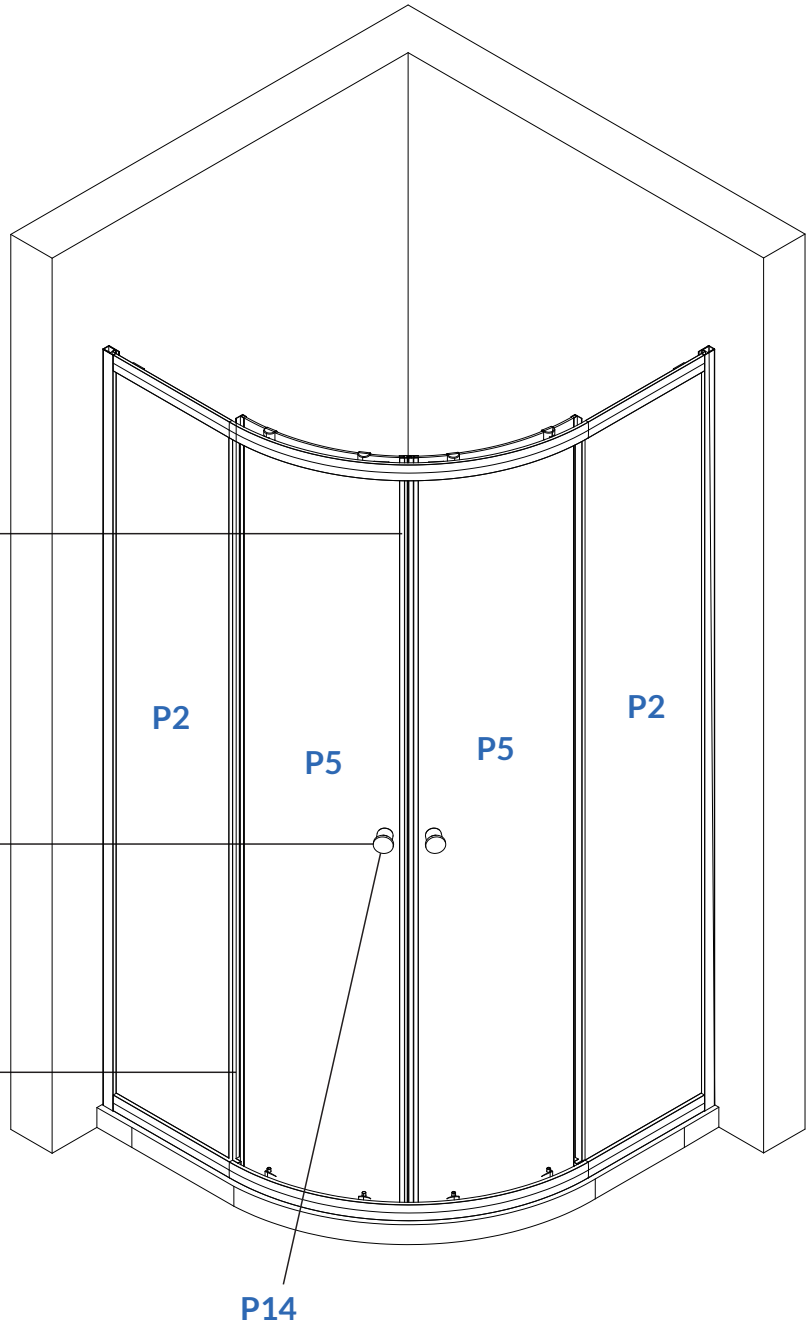
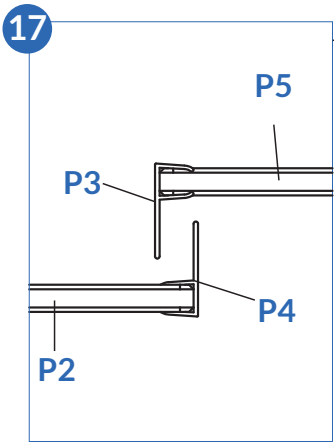
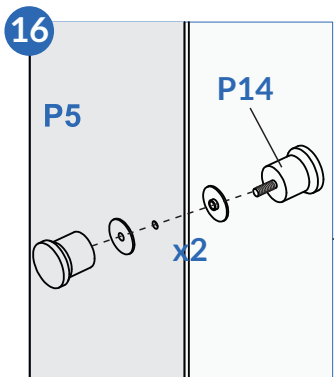
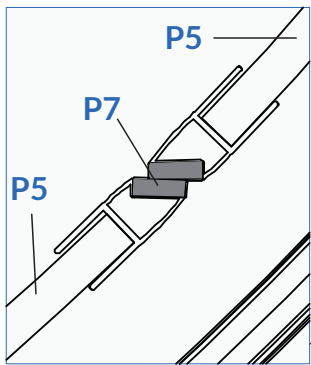
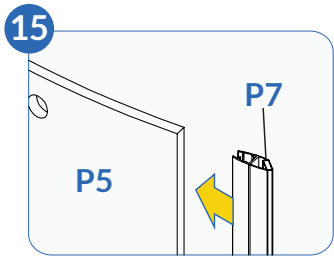
# 4



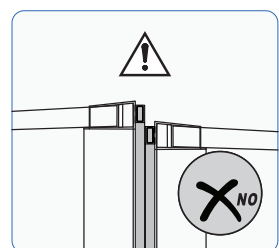
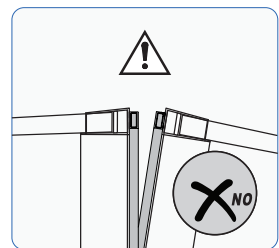
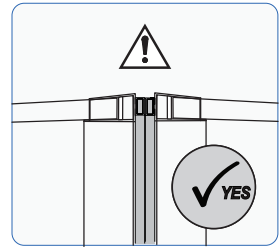
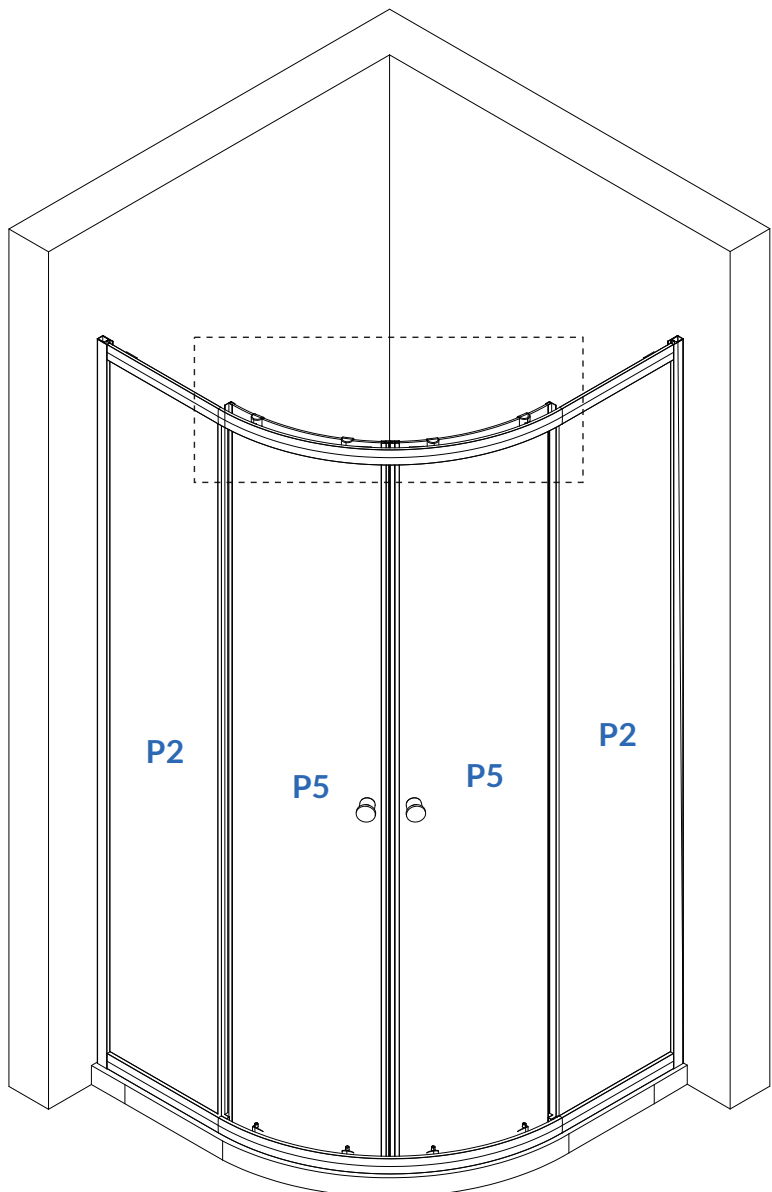
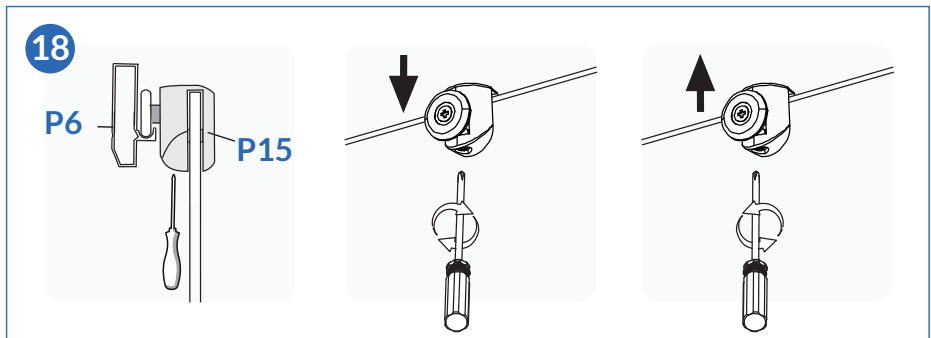
5



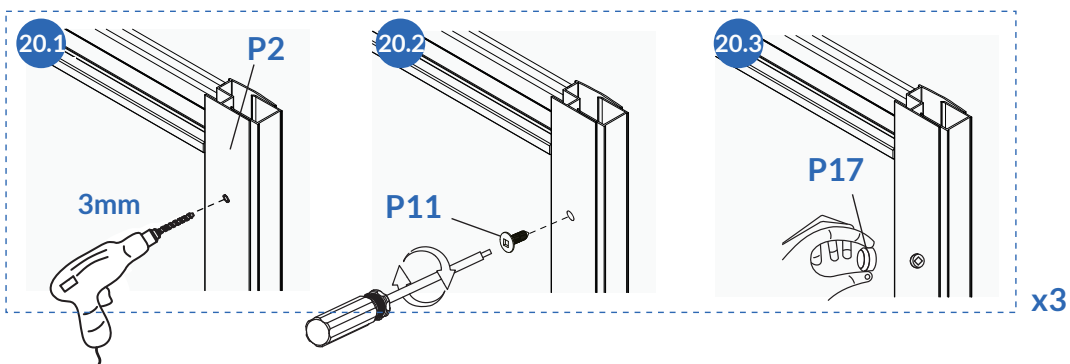
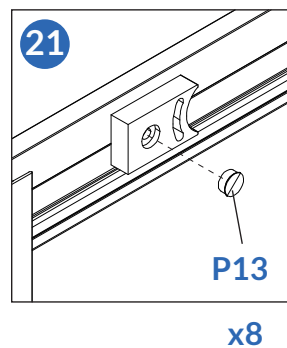
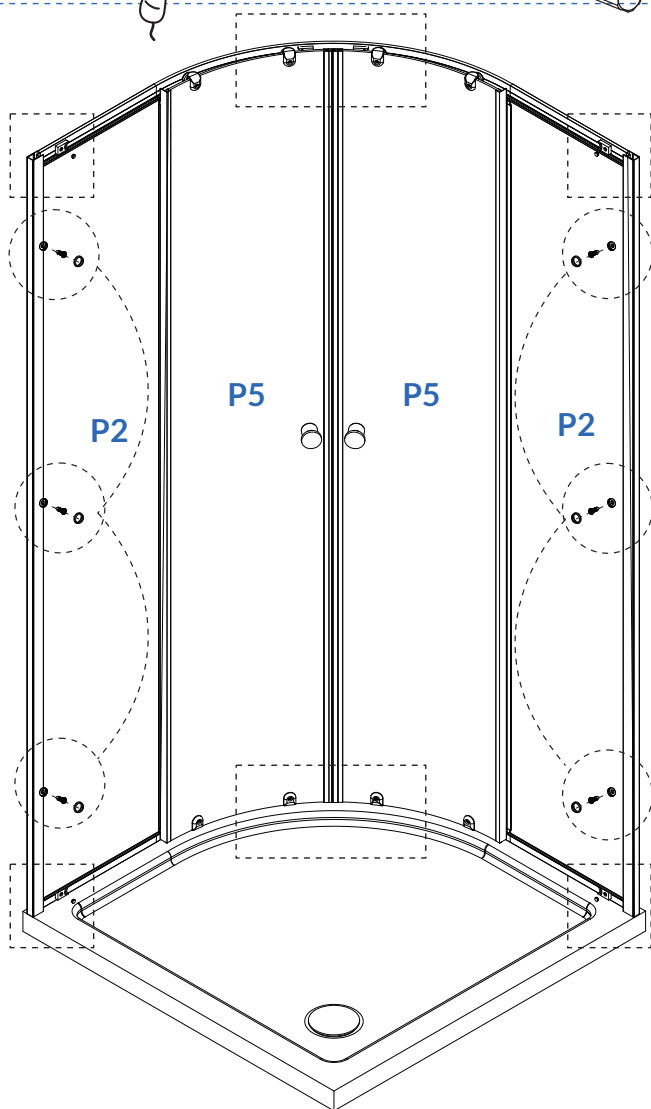
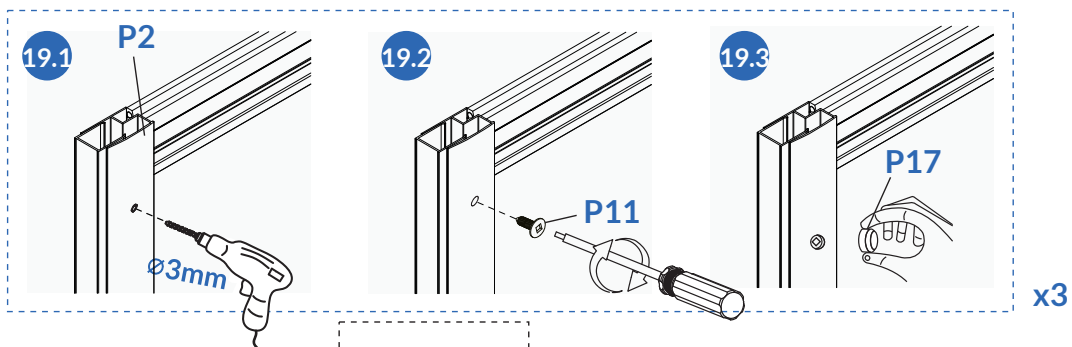
6



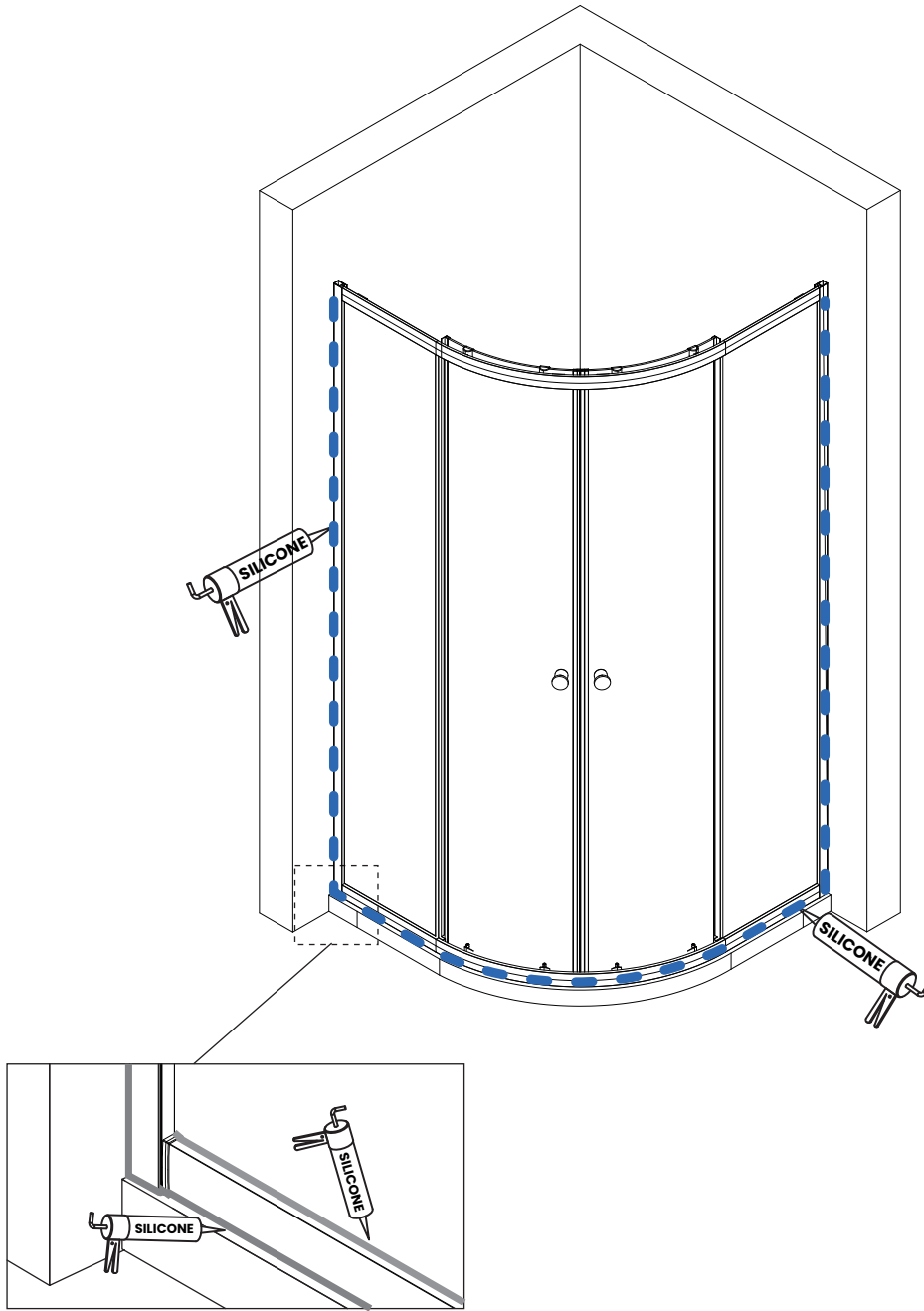
7



8



9



Allow 24 hours for silicone to dry before use.