

INSTALLATION INSTRUCTIONS



SHOWER| EXCLUSIVE SERIES Round Sliding



Note: Tapware and accessories are not included.
Handles may differ from those pictured.

BEFORE YOU BEGIN:

Before installing the shower please read these instructions carefully to familiarise yourself with the required tools, materials and installation sequences. Please leave these instructions for the consumer after installation. Refer to the separate care and maintenance guide for important care and cleaning information.

Ensure that the shower tray and wall, if applicable, are completely finished prior to installing your shower door and return. Follow all warnings, cautions and instructions contained in this guide.

**SAFETY**

1. ENGLEFIELD strongly recommends that a minimum of TWO persons install this enclosure due to the weight of the door panels.
2. Toughened safety glass cannot be cut. Risk of injury or product damage.
3. Wear protective footwear when lifting panels.
4. Wear safety glasses when drilling.

**ATTENTION**

1. The wall retainers must be installed onto a waterproof, vertical and flat wall surface. Failure to do so will result in an unsatisfactory seal, which may cause property damage. The wall inclination (out of squareness) is recommended to be out by no more than +/- 4mm/m.
2. Please install this door onto an ENGLEFIELD Quick - Fit® shower tray only, unless installing directly onto tiled walls and floor.
3. Care must be taken when drilling into walls and floors to avoid any hidden pipes or wires.
4. It is the responsibility of the INSTALLER to ensure that the installation complies with council and or local authority by laws.

CONSTRUCTION REQUIREMENTS



ATTENTION

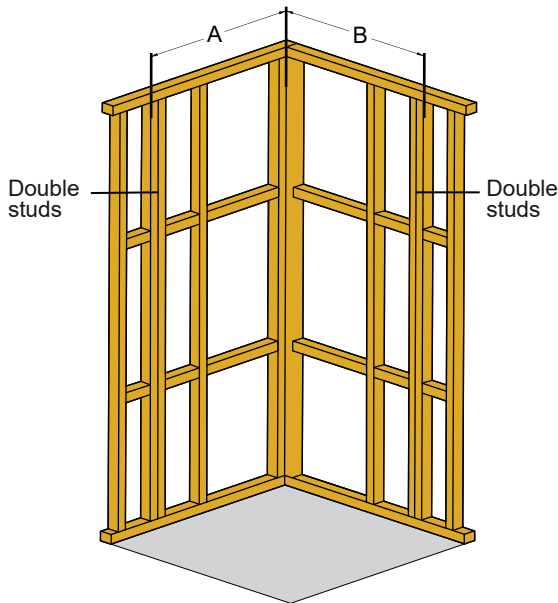
Due to the weight of the shower system Englefield strongly recommends constructing double studs (as below) to fix the wall retainers to.

Wall Framing

For Acrylic tray/base

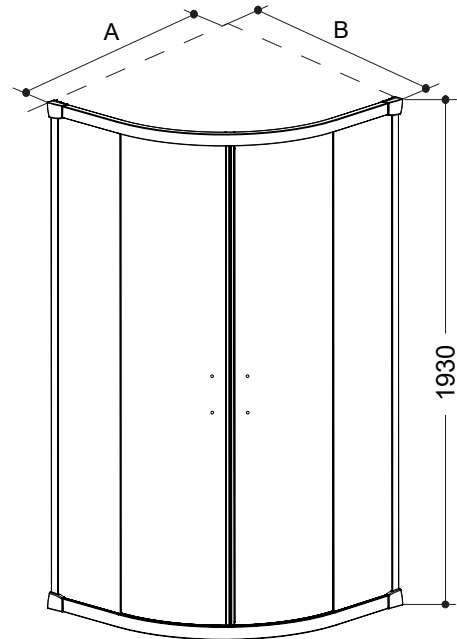
Size	Dim 'A'	Dim 'B'
900 x 900	900	900
1000 x 1000	1000	1000

NOTE: Based on the use of standard 10mm wall board

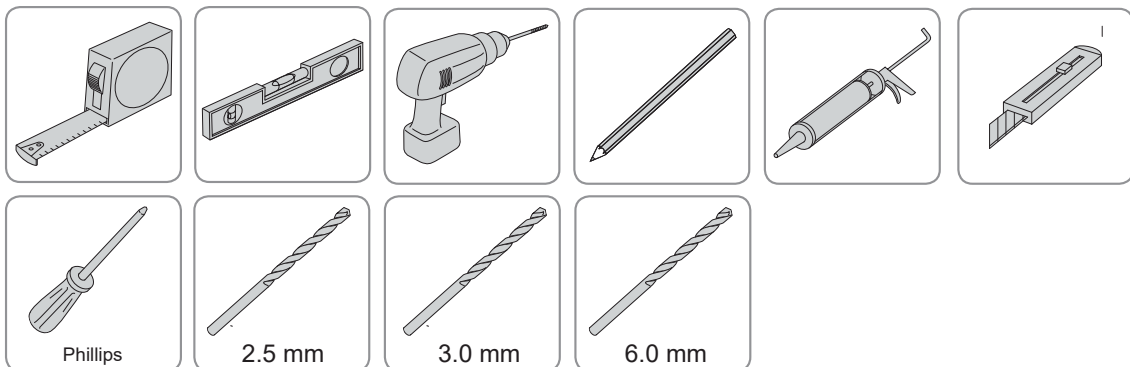


Rough-In

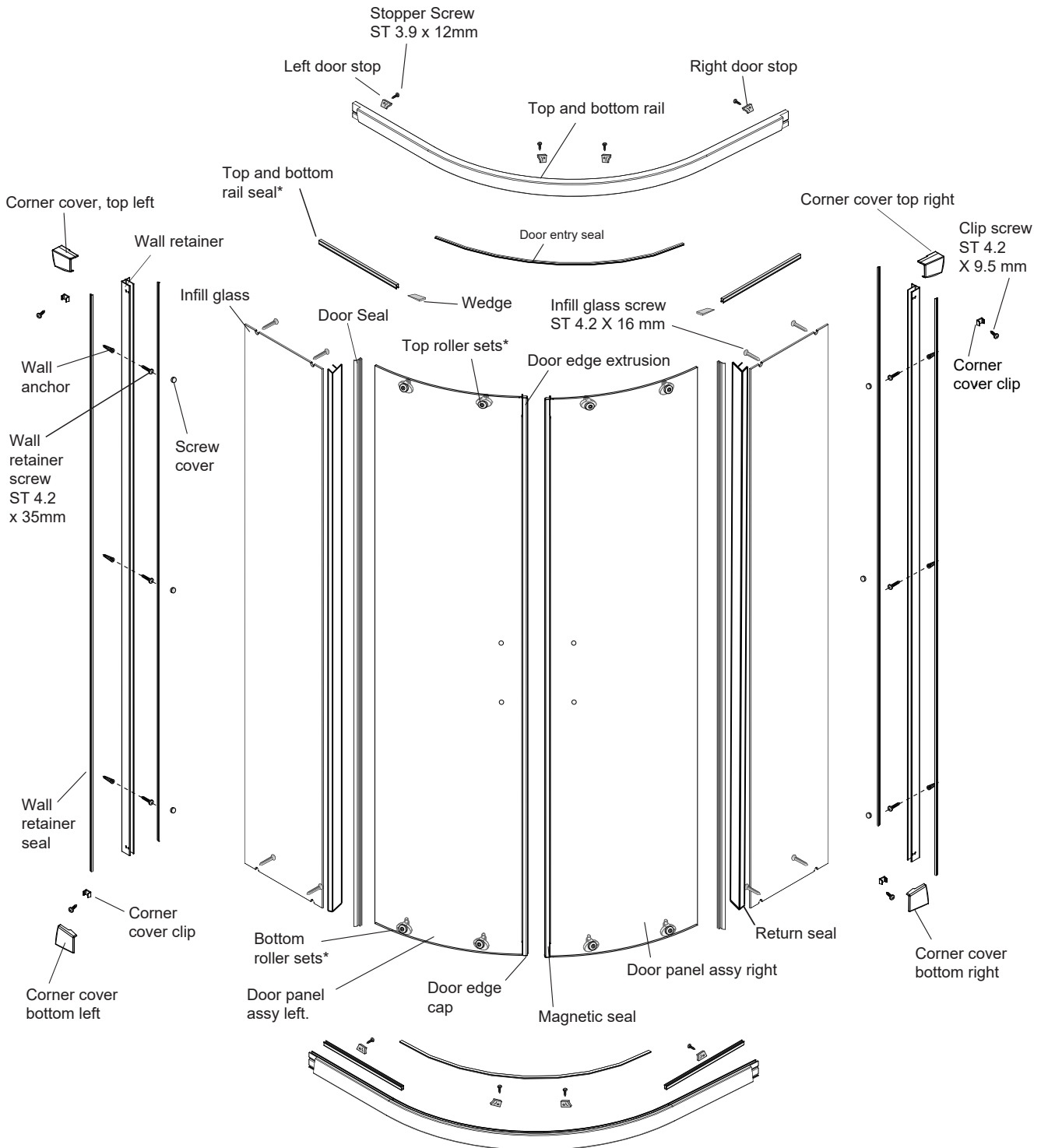
Size	Dim 'A'	Dim 'B'
900 x 900	872 ± 7.5mm	872 ± 7.5mm
1000 x 1000	972 ± 7.5mm	972 ± 7.5mm



TOOLS AND MATERIALS REQUIRED

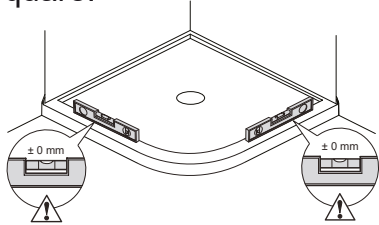


PARTS IDENTIFICATION

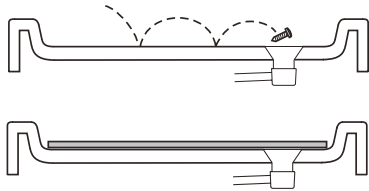


1 - INSTALLATION

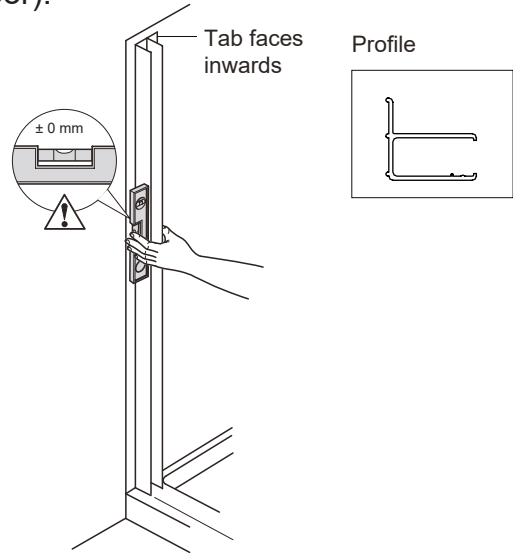
Caution: Ensure tray/base or tiled floor is level & walls are vertical & square.



Tip: Cover the waste to prevent the loss of small parts. If installing onto a tray protect the tray surface during installation.



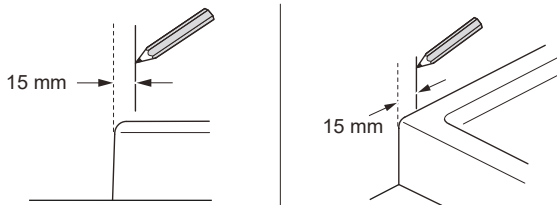
(b) Align a wall retainer with mark on tray/ base with tab facing inwards. Use a level to make sure it is upright. (This is critical to ensure correct operation of the door).



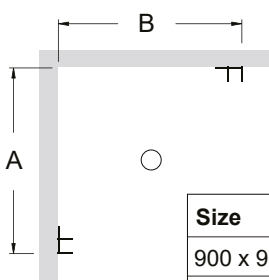
2.1 Wall Retainers

(a) Mark the locations of the wall retainers.

For acrylic tray/base option:
- Mark 15mm in from top edge of tray.

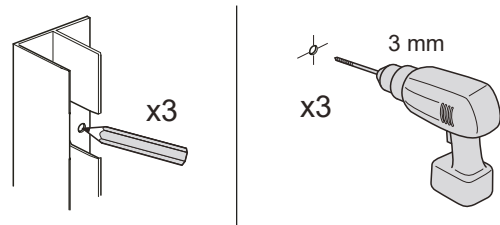


For tiled floor option:
- Mark from finished wall to outer edge of retainer.

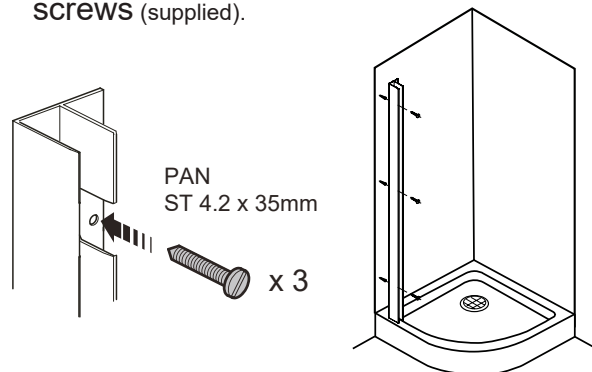


Size	A	B
900 x 900	872 ± 7.5	872 ± 7.5
1000 x 1000	972 ± 7.5	972 ± 7.5

(c) Mark position of fixing holes, then remove wall retainer and drill holes using an appropriate 3mm drill bit (not supplied) or 6mm drill bit (not supplied) if using wall anchors.



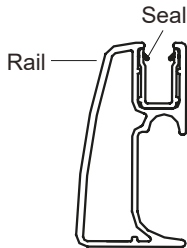
(e) Fix wall retainer to wall using 3 pan screws (supplied).



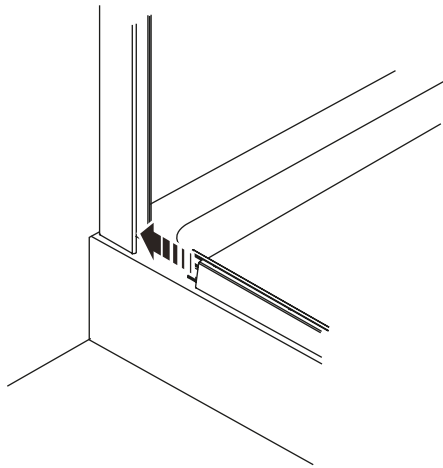
(f) Repeat steps (b) to (e) for other wall retainer.

2.2 Return Glass

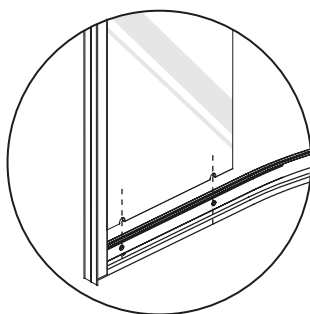
(a) Make sure there are seals in each end of the top and bottom rails and that they align with the end of the rails.



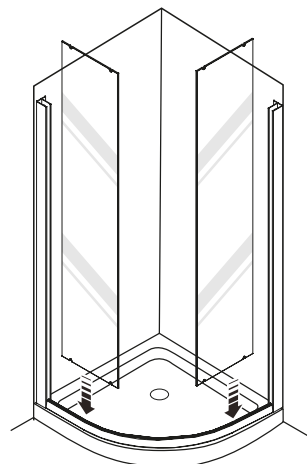
(b) Press fit the bottom rail into the wall retainer on the tray/base.



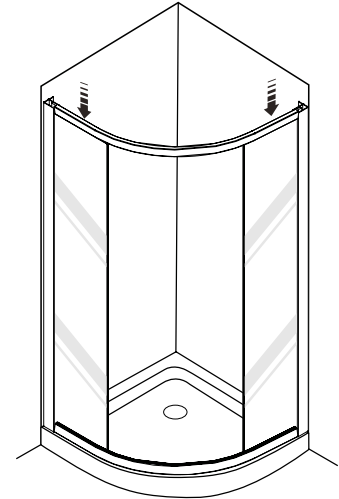
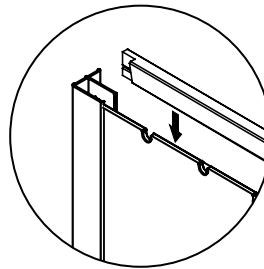
(c) Press fit the return glass into the bottom rail. NOTE: Make sure that the fixing holes in the glass align with the holes in the bottom rail.



Inside view

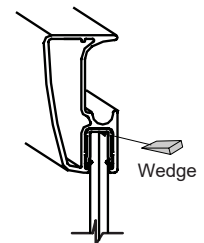
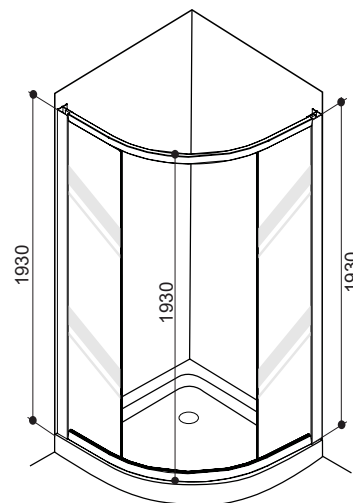


(d) Press fit the top rail to the top end of both glass panels. NOTE: Make sure that the glass panels align with the end of the rails.



(e) Use a tape measure to make sure that the rails are correctly fitted to the glass panels. The total height of the assembled product is 1930mm.

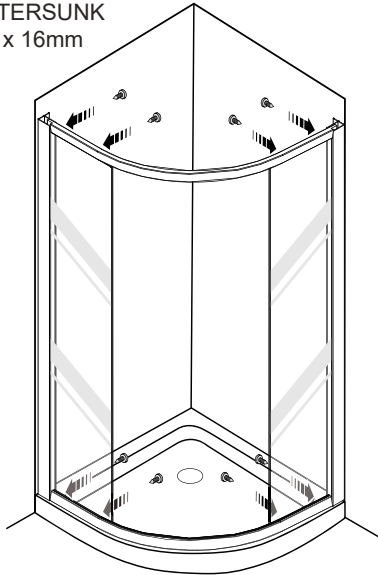
If higher, try pressing the top rail onto the glass panels harder. If lower, insert a wedge into the gap between the glass panels and the top rail seal.



- (f) Fix the top and bottom rails to the glass panels. Use a power drill on a low torque setting to drive 8 countersunk screws (supplied) into the top and bottom rails.

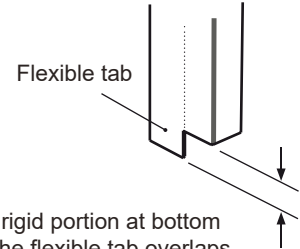
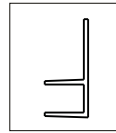
NOTE: Take care not to over tighten the screws.

COUNTERSUNK
ST 4.2 x 16mm
x 8



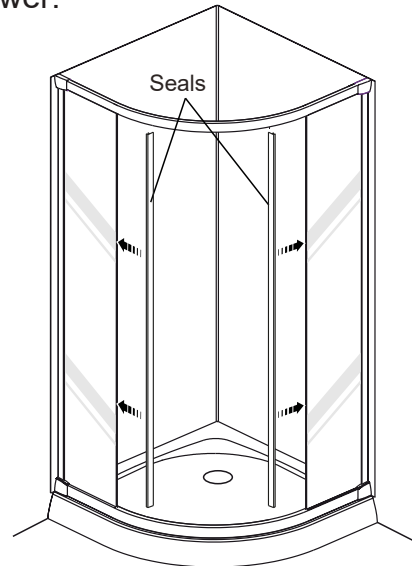
- (b) Cut the return seals to length leaving a 3-5mm notch at the bottom so that the flexible tab overlaps the curved still extrusion.

Profile



Notch 3-5mm of rigid portion at bottom of seals so that the flexible tab overlaps the sill extrusion (right hand seal shown).

- (c) Press fit the return seals onto the vertical edges of both return panels. The flexible tab should face into the shower.



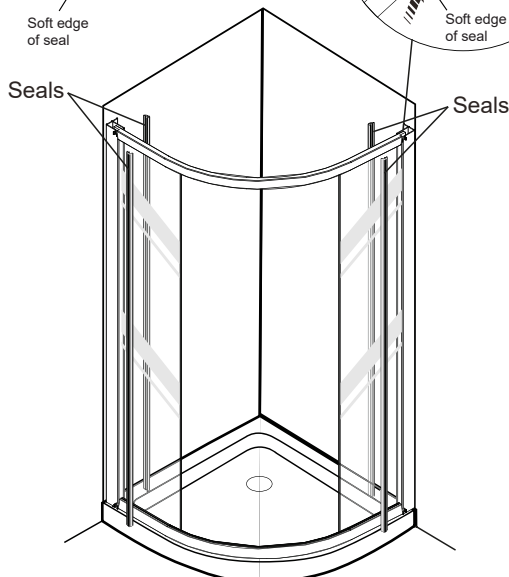
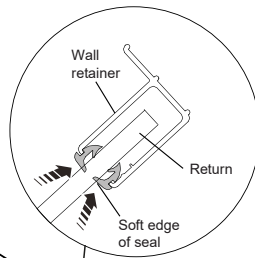
2.3 Retainer / Return Panel Seals

- (a) Press fit 2 retainer seals into each wall retainer. Ensure the seals are fitted with the soft edge in contact with the glass face.

Profile

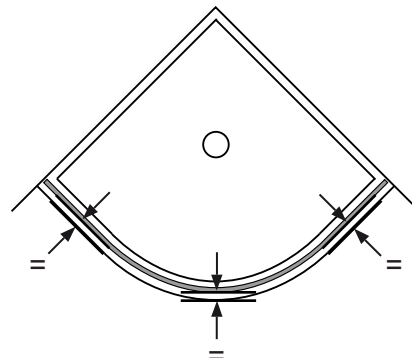


Soft edge of seal

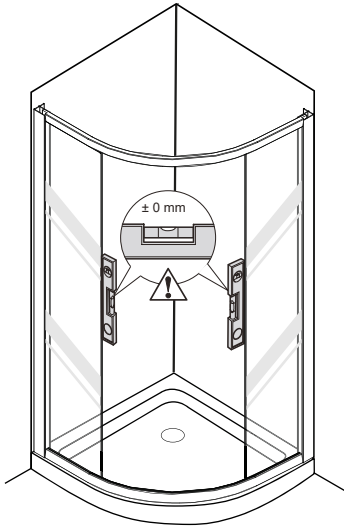


2.4 Frame Alignment & Cover Clips

- (a) Move the bottom rail forward or backward to make sure that the gap between the bottom rail and the front edge of the tray is even.



- (b) Make sure that the edges of the return glass panels are vertical.

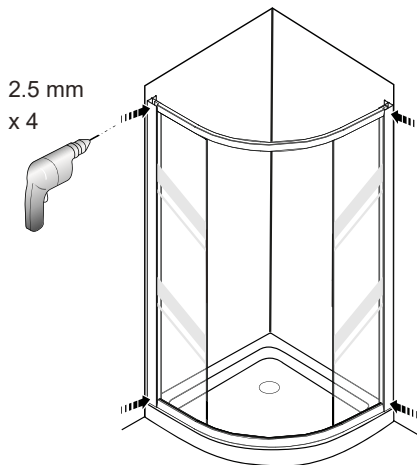


- (c) Drill a 2.5mm hole through the 4 small pre-drilled holes at the top and bottom ends of the retainers, and into the top and bottom rail.



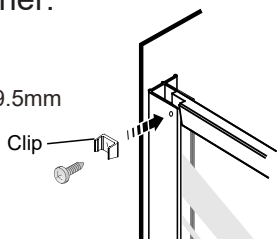
CAUTION

Be careful not to drill all the way through the retainers.



- (d) Fix the corner cover clips to the retainer using 4 pan screws (supplied). Make sure the pin on the back of the clip aligns with the large hole at the top and bottom end of the retainer.

PAN
ST 4.2 x 9.5mm
x 4

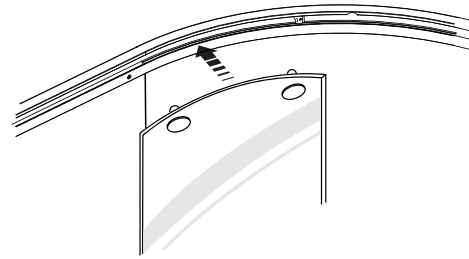


2.5 Door Panels

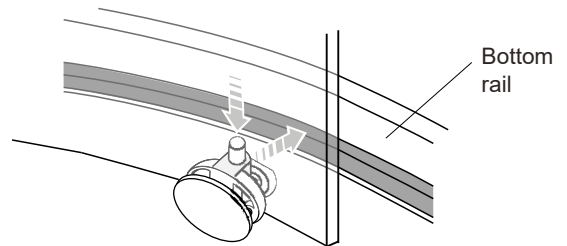
- (a) Identify the door - Left or right hand. (refer to handle location).

Note: The rollers on the top edge are height adjustable.

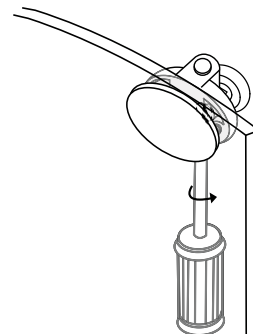
- (b) Hang the door panel on the top rail from the inside of the shower.

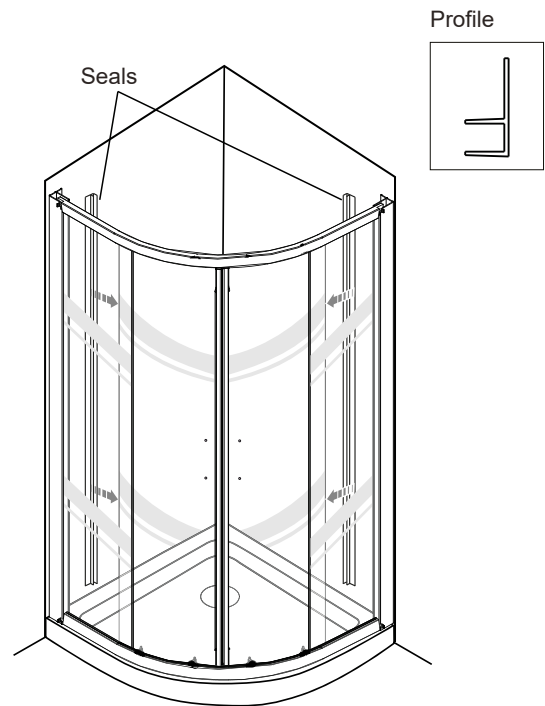
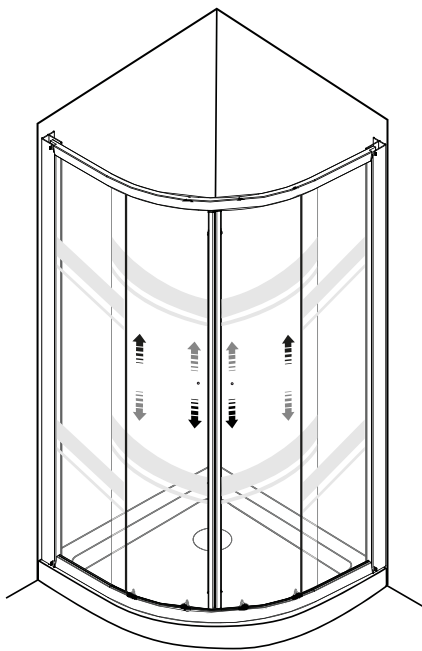


- (c) Press the button on the bottom rollers and latch the rollers into the bottom rail.



- (d) If there are gaps between the doors, raise or lower the doors by adjusting the screws in the top rollers (clockwise to raise the door). Adjust so that there are no gaps between the doors, and the top edges are level.





2.6 Door Seals

(a) Press fit the door seals onto the vertical edges of the doors with the flap facing outwards.

2.7 Handles

(a) Follow the instructions supplied with the handles.

2.8 Shower Sealing

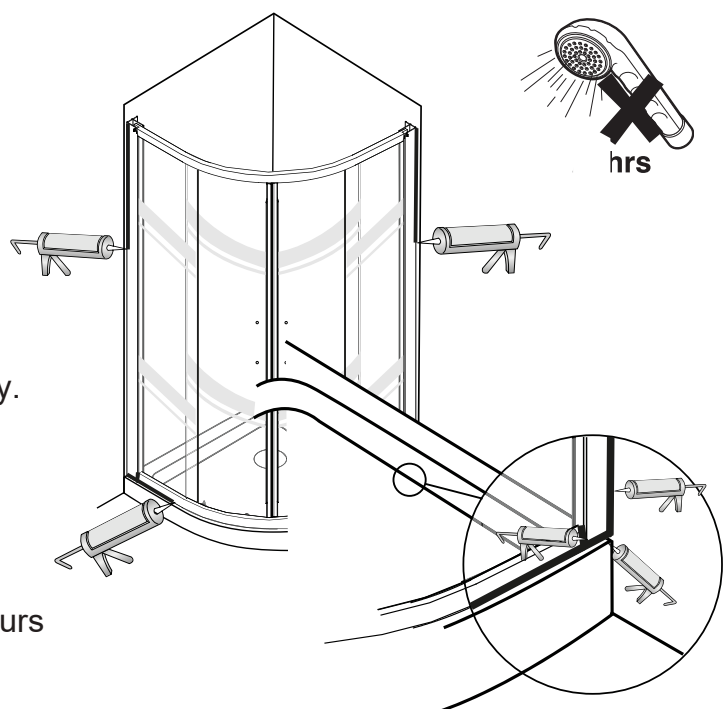
(a) Thoroughly clean all surfaces. Remove all dust, dirt or grease from the bottom rail, retainers and shower tray. For best results apply masking tape to within 5mm of the joints to be sealed.

(b) Apply sealant in accordance with the sealant manufacturers instructions along the outside surfaces of the door frame only.

Apply a bead of sealant around the outside of the door where:

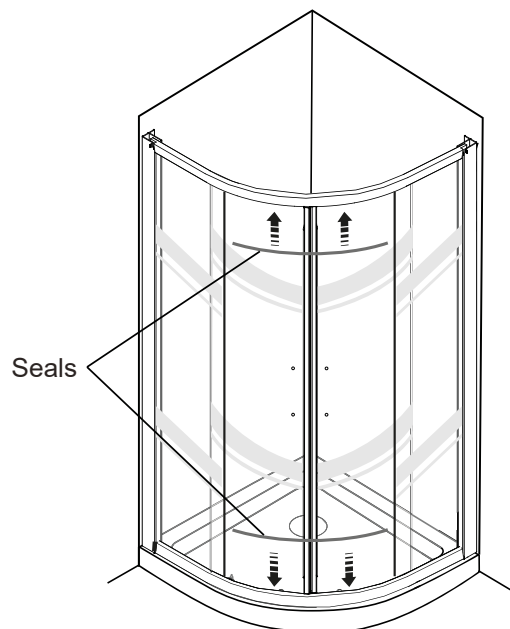
1. The bottom rail meets the tray.
2. The retainers meet the wall and tray.
3. In and around the bottom corners where the retainers meet the bottom rail, and behind the corner cover caps.

NOTE: Allow silicone to cure for 24 hours before using shower.



2.9 Door Entry Seals

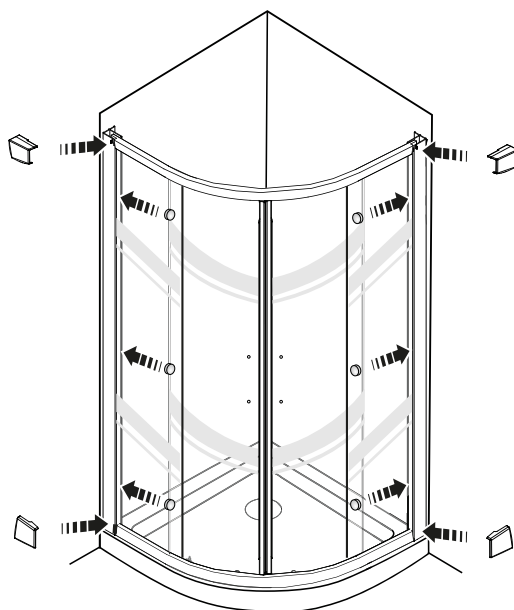
(a) Press fit the door entry seals into the channel in the top side of the bottom rail, and the underside of the top rail.



2.10 Covers




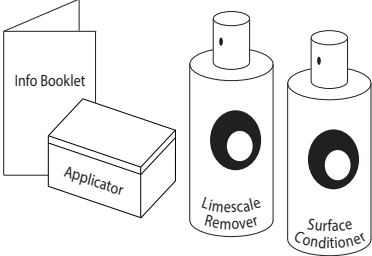
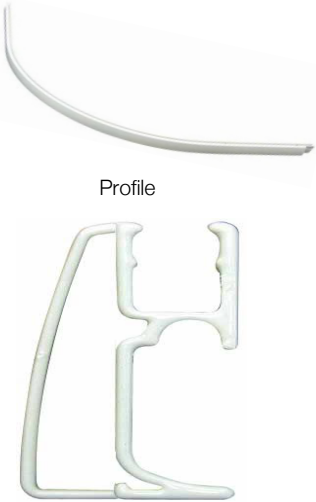
(a) Press fit all 4 corner covers over the corner cover clips.















(b) Press fit all 6 screw covers onto the screws.



INSTALLATION COMPLETE

Spare Part Image	Description	Codes
	<p>Fixing kit - round sliding - 4 x plastic wedges, 6 x wall anchors, 6 x screw caps, 6 x 30mm screws, 4 x 12mm screws & 8 x 20mm screws</p>	<p>Englefield 1102939-0 White</p> <p>Englefield 1102939-GY Grey</p>
	<p>Door roller - Top - round sliding - 1 x top roller assembly, 1 x fixing plate & 1 x plate cover</p>	<p>Englefield 1102949-0 White</p> <p>Englefield 1102949-GY Grey</p> <p>Englefield 1102949-BL Black</p>
	<p>Door roller - Bottom - round sliding - 1 x bottom roller assembly, 1 x fixing plate & 1 x plate cover</p>	<p>Englefield 1102950-0 White</p> <p>Englefield 1102950-GY Grey</p> <p>Englefield 1102950-BL Black</p>
	<p>Corner cover set - round sliding - 4 x clips, screws, 1 x top LH cover, 1 x bottom LH cover, 1 x top RH cover & 1 x bottom RH cover</p>	<p>Englefield 1102940-0 White</p> <p>Englefield 1102940-SHP Metallic</p> <p>Englefield 1102940-SS Satin</p> <p>Englefield 1102940-BL Black</p>
	<p>End cap - Magnetic seal - 1 x Magnetic strip end cap</p>	<p>Englefield 1157843-0 White</p> <p>Englefield 1157843-GY Grey</p> <p>Englefield 1157843-BL Black</p>
	<p>Door stop kit - Pack of 4 Door stops + screws</p>	<p>Englefield 1102948</p>

Spare Part Image	Description	Codes
 <p>320mm</p>	<p>Glass - Return - 900 x 900 - 1 x shower return glass (CleanLess coat) for 900 x 900 shower</p>	<p>Englefield 1412485 1930 shower</p>
 <p>420mm</p>	<p>Glass - Return - 1000 x 1000 - 1 x shower return glass (CleanLess coat) for 1000 x 1000 shower</p>	<p>Englefield 1412486 1930 shower</p>
	<p>Glass - Round Sliding Door - 1 x curved door panel (CleanLess coat) with vertical edge strip</p>	<p>Englefield 1412487-0 White 1930mm</p> <p>Englefield 1412487-SHP Metallic 1930mm</p> <p>Englefield 1412487-SS Satin 1930mm</p> <p>Englefield 1412487-BL Black 1930mm</p>
	<p>Glass Aftercare Pack - Limescale Remover Surface Conditioner Applicator Sponge Information Booklet</p>	<p>Englefield 98945A-NA</p>
 <p>Profile</p>	<p>Rail - Top or Bottom (900 round sliding) - 1 x 900 round sliding shower top or bottom rail</p>	<p>Englefield 1102942-0 White</p> <p>Englefield 1102942-SHP Metallic</p> <p>Englefield 1102942-SS Satin</p> <p>Englefield 1102942-BL Black</p>
	<p>Rail - Top or Bottom (1000 round sliding) - 1 x 1000 round sliding shower top or bottom rail</p>	<p>Englefield 1102943-0 White</p> <p>Englefield 1102943-SHP Metallic</p> <p>Englefield 1102943-SS Satin</p> <p>Englefield 1102943-BL Black</p>

Spare Part Image	Description	Codes
  <p>Profile</p>	<p>Wall retainer - Return - 1 x return wall retainer</p>	<p>Englefield 1102941-T-0 White 1930mm</p> <p>Englefield 1102941-T-SHP Metallic 1930mm</p> <p>Englefield 1102941-T-SS Satin 1930mm</p> <p>Englefield 1102941-T-BL Black 1930mm</p>
  <p>Profile</p>	<p>Seal - Wall retainer - round sliding - 1 x round sliding shower wall retainer seal</p>	<p>Englefield 1102944-T 1930 Shower</p>
  <p>Profile</p>	<p>Seal - Vertical - Return - round sliding - 1 x round sliding shower return seal</p>	<p>Englefield 1102945-T 1930 Shower</p>
  <p>Profile</p>	<p>Seal - Vertical - Door - round sliding - 1 x round sliding shower door seal</p>	<p>Englefield 1102946-T 1930 Shower</p>
  <p>Profile</p>	<p>Seal - Door entry - Top & bottom - round sliding - 1 x round sliding shower top & bottom door entry seal</p>	<p>Englefield 1102947 Clear</p> <p>Englefield 1102947-GY Grey</p> <p>Englefield 1102947-BL Black</p>
  <p>Profile</p>	<p>Seal - Return glass - Top/Bottom - Rail - round sliding - 1 x shower sliding rail top/bottom seal</p>	<p>Englefield 1157842</p>
  <p>Profile</p>	<p>Seal - Magnetic - Door - 1 x magnetic door seal</p>	<p>Englefield 1157844-T 1930 Shower</p>

CLEANING AND MAINTENANCE INSTRUCTIONS

Please refer to our website for cleaning instructions.

CONTACT AND WARRANTY INFORMATION

NEW ZEALAND
Kohler New Zealand Limited

AUSTRALIA

0800 100 382
info@englefield.co.nz
englefield.co.nz

englefield.com

