

OWNER'S MANUAL

# 36" GRIDDLE WITH HOOD AND EXTENDABLE SHELF

## TABLE OF CONTENTS

IMPORTANT SAFETY INFORMATION .....	02
ASSEMBLY GUIDE .....	04
OPERATION INSTRUCTIONS .....	10
TROUBLESHOOTING .....	16
CUSTOMER SUPPORT .....	17



Latest version of the manual:  
[BlackstoneProducts.com/support](http://BlackstoneProducts.com/support)

### IMPORTANT:

This instruction manual contains important information necessary for the proper assembly and safe use of the appliance.

Read and follow all warnings and instructions before assembling and using the appliance.

Follow all warnings and instructions when using the appliance.

Keep this manual for future reference.

Installer/Assembler: Leave these instructions with the consumer.

### SAFETY ALERT KEY

#### ⚠ DANGER

Indicates a hazardous situation that, if not avoided, will result in death or serious injury.

#### ⚠ WARNING

Indicates a hazardous situation that, if not avoided, could result in death or serious injury.

#### ⚠ CAUTION

Indicates a hazardous situation that, if not avoided, could result in minor or moderate injury.

#### NOTICE

Indicates information considered important, but not hazard-related (e.g. messages related to property damage).

# IMPORTANT SAFETY INFORMATION

## READ ALL SAFEGUARDS AND INSTRUCTIONS THOROUGHLY!

**YOUR SAFETY IS VERY IMPORTANT - FAILURE TO FOLLOW PROPER PROCEDURES AND SAFEGUARDS MAY RESULT IN PROPERTY DAMAGE OR PERSONAL INJURY.**

<b>MODEL №:</b>	2310AU
<b>NOMINAL GAS CONSUMPTION:</b>	<b>TOTAL:</b> 44 MJ/h
	4 x 11 MJ/h
<b>TEST POINT PRESSURE:</b>	2.75 kPa
<b>GAS TYPE:</b>	Universal (LPG) Gas
<b>INJECTOR SIZE:</b>	0.914 mm

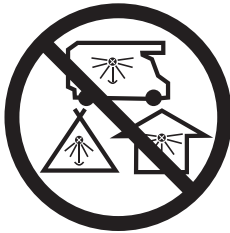
**Dimensions:**

168.7(W) 77(D) 104.4(H)cm

**Product Name:**

36" Griddle with Hood and Extendable Shelf

**⚠ DANGER**



**ONLY USE IN WELL-VENTILATED AREAS. CARBON MONOXIDE HAZARD -**

USING THIS APPLIANCE IN AN ENCLOSED SPACE MAY CAUSE DEATH. DO NOT USE IN CARAVANS, TENTS, MARINE CRAFT, CARS, MOBILE HOMES OR SIMILAR LOCATIONS.

**⚠ DANGER**

Flammable items can combust if placed near the appliance. Keep the appliance area clear and free from combustible materials, aerosol containers, gasoline and other flammable vapors and liquids.

**⚠ WARNING**

Improper installation, use, adjustment, alteration, service, modification, or maintenance can cause property damage, serious injury, or death. Refer to this manual.

**FOR YOUR SAFETY**

If you smell gas:

1. Shut off gas to the appliance.
2. Extinguish any open flame.
3. Open appliance hood (as applicable).
4. If odour continues, immediately call your gas supplier or your local fire department.

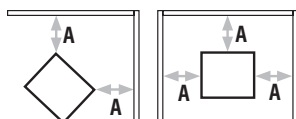
**PRECAUTIONS**

1. Leak test all connections after each tank refill.
2. Never check for leaks with a match or open flame.
3. Do not store or use gasoline or other flammable vapours and liquids in the vicinity of this appliance.
4. The appliance must not be installed under or on any combustible material.

Refer to Standard AS/NZS 5601 and the local authority for any gas or electricity installation and usage matters as applicable.

**MAINTAIN PROPER CLEARANCES FROM COMBUSTIBLE MATERIAL.**

- DO NOT use this appliance on or under any apartment or condominium balcony or deck.
- DO NOT obstruct the flow of combustion and ventilation air.



Minimum clearance of appliance to combustibles surfaces is 100 cm at the rear, side, and overhead.  
A = 100 cm

**⚠ WARNING**

The appliance shall not be used indoors.

- The use of alcohol, prescription, or non-prescription drugs may impair the consumer's ability to properly assemble or safely operate the appliance.
- Keep children and pets away from the appliance at all times.
- Have a type BC or ABC fire extinguisher readily available.
- DO NOT use for purposes other than intended.
- For outdoor domestic use only, not for commercial use.
- DO NOT use this appliance as a heater.
- DO NOT SPRAY AEROSOLS IN THE VICINITY OF THIS APPLIANCE WHILE IT IS IN OPERATION.
- DO NOT USE OR STORE FLAMMABLE MATERIALS IN OR NEAR THIS APPLIANCE.
- DO NOT PLACE ARTICLES ON OR AGAINST THIS APPLIANCE.
- DO NOT MODIFY THIS APPLIANCE.



## SETTING UP YOUR OUTDOOR SPACE

### THIS APPLIANCE MUST ONLY BE USED OUTDOORS ON A LEVEL SURFACE.

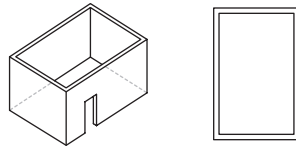
- DO NOT use this appliance inside buildings, garages, or any other enclosed area.
- DO NOT install this appliance in or on a boat.
- DO NOT install this appliance in or on a recreational vehicle.

### OUTDOOR AREAS:

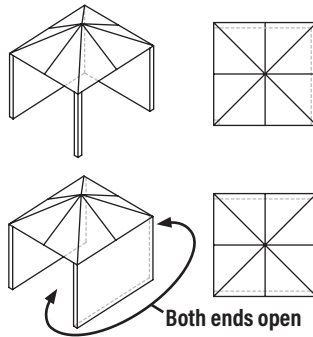
This appliance shall only be used in an above ground open air situation with natural ventilation, without stagnant areas, where gas leakage and products of combustion are rapidly dispersed by wind and natural convection.

Any enclosure in which the appliance is used shall comply with one of the following:

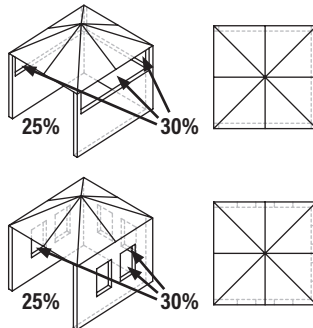
- a. An enclosure with walls on all sides, but with at least one opening at ground level and no overhead cover.



- b. Within a partial enclosure that includes overhead cover and no more than two walls.



- c. Within a partial enclosure that includes an overhead cover and more than two walls, the following shall apply: At least 25% of the total wall area is completely open, and at least 30% of the remaining wall area is open and unrestricted.



In the case of balconies, 20% of the remaining wall area shall remain open and unrestricted.

### ⚠ OUTDOOR USE ONLY ⚠

IF BURNER DOES NOT IGNITE OR GOES OUT DURING OPERATION, TURN OFF THE CONTROL KNOB AND GAS (AS APPLICABLE) AND WAIT 5 MINUTES BEFORE TRYING TO LIGHT IT AGAIN.

Keep the hood open when lighting.

### ⚠ WARNING

An LPG cylinder not connected for use shall not be stored in the vicinity of this or any other appliance.

- The appliance is not to be used by persons (including children) with reduced physical, sensory or mental capabilities, or lack of experience and knowledge, unless they have been given supervision or instruction.
- DO NOT allow children to play with the appliance.
- During use the appliance becomes hot. DO NOT touch heating elements inside the appliance.
- **⚠ WARNING:** Accessible parts may become hot during use. Young children should be kept away.
- Steam cleaner is not to be used for the appliance.
- Danger of fire: DO NOT store items on the cooking surfaces.
- **⚠ CAUTION:** The cooking process has to be supervised. A short term cooking process has to be supervised continuously.
- **⚠ WARNING:** Unattended cooking with fat or oil can be dangerous and may result in a fire.
- The appliance is not intended to be operated by means of external timer or separated remote-control system.
- If the supply cord is damaged, it must be replaced by the manufacturer, its service agent or similarly qualified persons in order to avoid a hazard.
- This appliance is not suitable for installation with a reticulated gas supply.

### DO NOT USE THIS APPLIANCE IF IT IS LEAKING, DAMAGED OR DOES NOT OPERATE PROPERLY.

- DO NOT use this appliance if it has damaged or worn seals.
- If there is a leak on your appliance (smell of gas), turn off control knob(s) and gas (as applicable) and disconnect gas container. Remove the appliance to a well-ventilated location away from any ignition source. Check for leaks using soapy water. DO NOT try to detect leaks using a flame.

### THIS APPLIANCE IS TO BE OPERATED ON A HORIZONTAL SURFACE. It may be hazardous to attempt to fit other types of gas containers.

This appliance shall only be used with a Universal LPG cylinder certified to AS 2469.

### DO NOT USE AN ADAPTOR AT THE CYLINDER CONNECTION.

- Gas containers shall be changed in a well-ventilated location, preferably outside away from people and any sources of ignition, such as naked flames, pilot flames, electric heaters/equipment.
- This appliance must only be serviced by an authorized person.
- Only store cylinders outdoors in a well-ventilated area out of the reach of children.

To check if the gas container is empty:

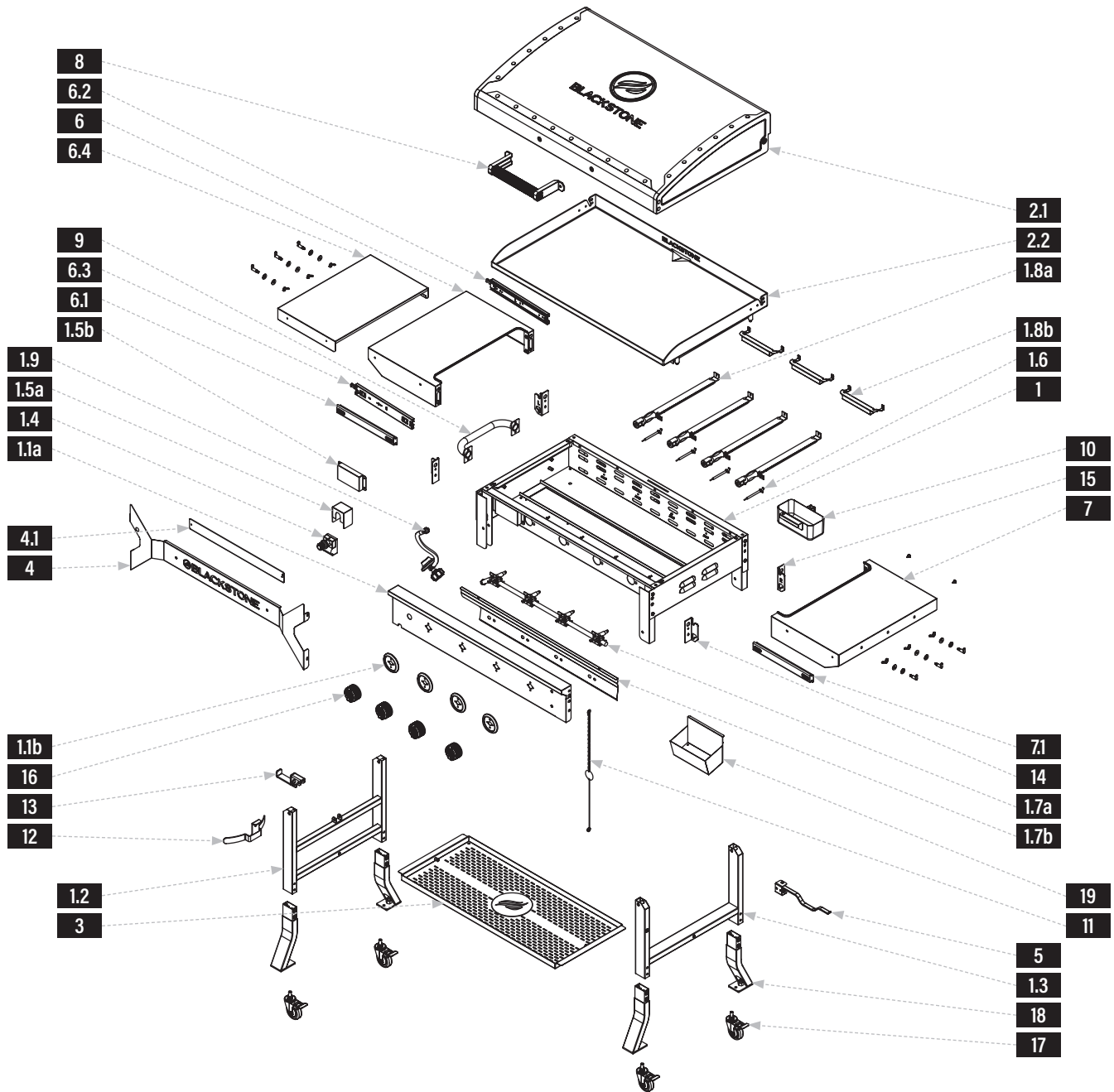
- Weigh the cylinder on a scale and subtract the tare weight (marked on the collar/ bottle).
- Pour hot (not boiling) water along the side of the cylinder. The bottle will be cold at the gas level.

## SAVE THESE INSTRUCTIONS

# ASSEMBLY GUIDE

## EXPLODED VIEW

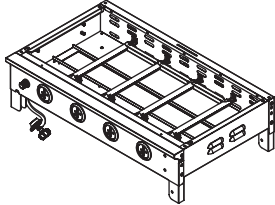

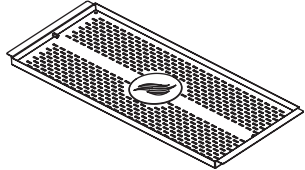


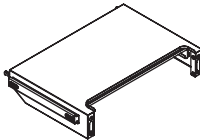
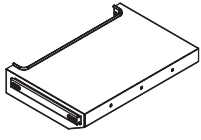
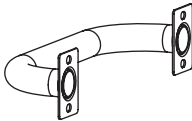
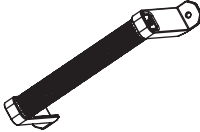
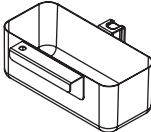
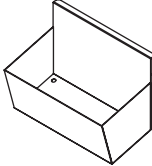
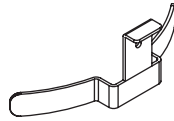
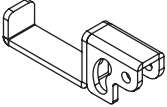



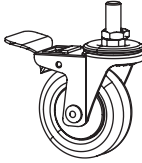


ENGLISH



### PARTS LIST

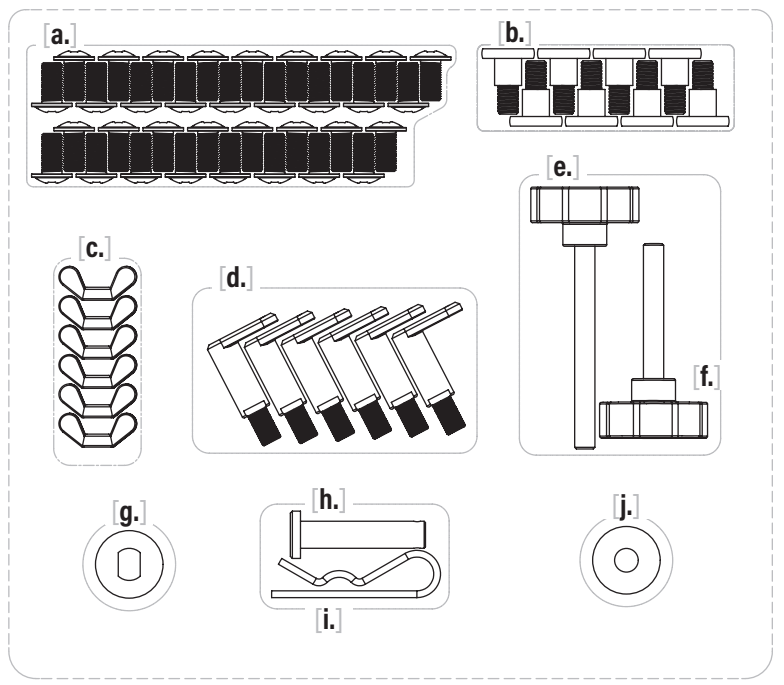
PARTS	QTY	PARTS	QTY	PARTS	QTY	PARTS	QTY
<b>1.1a</b> Control panel	1	<b>1.5b</b> Ignitor baffle panel	1	<b>1.9</b> Regulator	1	<b>6.2</b> Left rail glide	1
<b>1.1b</b> Control knob bezels	4	<b>1.6</b> Ignitor needles	4	<b>2.1</b> Hood	1	<b>6.3</b> Right rail glide	1
<b>1.2</b> Left leg assembly	1	<b>1.7a</b> Gas rail and valves	1	<b>2.2</b> Griddle top	1	<b>6.4</b> Shelf extender	1
<b>1.3</b> Right leg assembly	1	<b>1.7b</b> Gas rail panel	1	<b>4.1</b> Orange background panel	1	<b>7.1</b> Accessory rail	1
<b>1.4</b> Ignitor	1	<b>1.8a</b> Tubular burners	4	<b>6.1</b> Accessory rail	1		
<b>1.5a</b> Ignitor heat shield	1	<b>1.8b</b> Connector tubes	3				



<b>1</b> Body (1 piece) 		<b>2</b> Griddle top & Hood (1 piece) 		<b>3</b> Stabilizing shelf (1 piece) 	
<b>4</b> Logo panel (1 piece) 		<b>5</b> Paper towel holder (1 piece) 		<b>6</b> Right side shelf (1 piece) 	<b>7</b> Left side shelf (1 piece) 
<b>8</b> Side handle (1 piece) 	<b>9</b> Hood handle (1 piece) 	<b>10</b> Grease cup (1 piece) 	<b>11</b> Shelf basket (1 piece) 	<b>12</b> LPG support (1 piece) 	<b>13</b> LPG hook (1 piece) 
<b>14</b> Side shelf bracket (L) (2 pieces) 	<b>15</b> Side shelf bracket (R) (2 pieces) 	<b>16</b> Control knobs (4 pieces) 	<b>17</b> Caster wheels (4 pieces) 	<b>18</b> Legs (4 pieces) 	<b>19</b> Matchstick holder (1 piece) 

**20** Hardware pack (1 piece)

- a. M6x12 bolts (34 pieces)
- b. M6 step bolts (8 pieces)
- c. Side shelf wing nuts (6 pieces)
- d. Side shelf hooks (6 pieces)
- e. Large thumbscrew (1 piece)
- f. Medium thumbscrew (1 piece)
- g. Slotted washers (6 pieces)
- h. Shear pin (1 piece)
- i. Cotter pin (1 piece)
- j. Washers (6 pieces)



# ASSEMBLY INSTRUCTIONS

Find a large, clean area to assemble your appliance.  
Remove all packing material before assembling.

**CAUTION**

Sharp edges. Wear gloves while assembling.

You may have additional or spare hardware after assembly.

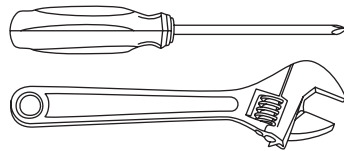
**CAUTION**

Heavy pieces. Two people should assemble this appliance.

Assembly time: ~30 min



**NOT INCLUDED:**  
AA battery



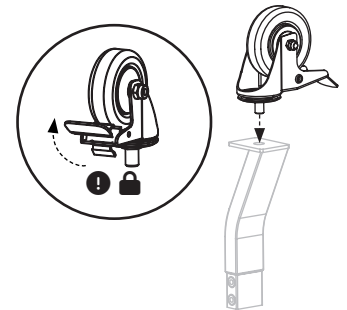
**TOOLS NEEDED:**  
#3 Phillips head screwdriver &  
Adjustable wrench

**STEP 01** With the help of another person, remove the griddle body from the packaging and lay it upside down on a smooth, flat surface. Use one (1) large thumb screw [e.] to attach the stabilizing shelf to the right leg assembly.

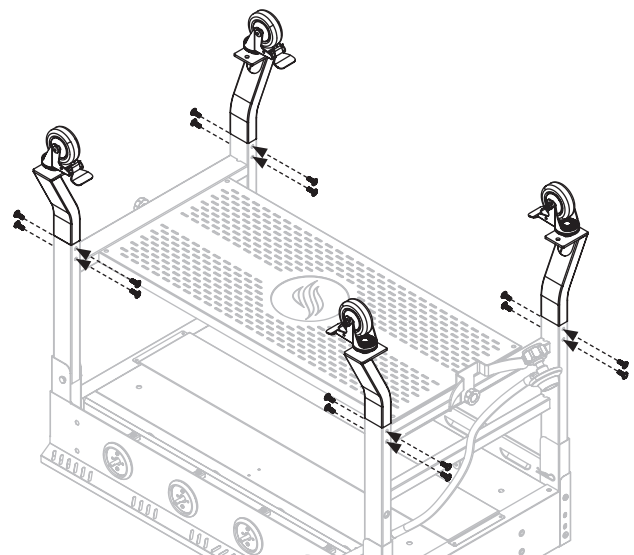
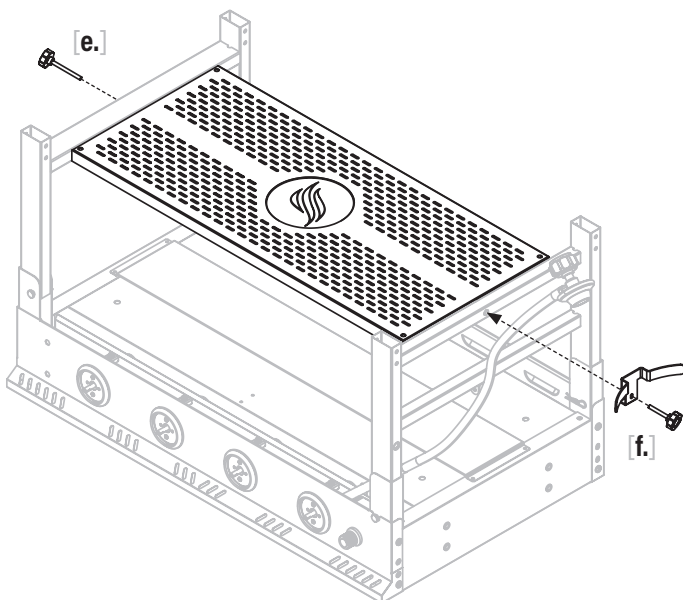
Use one (1) medium thumb screw [f.] to attach the LPG support and the stabilizing shelf to the left leg assembly.

**Note:** This shelf is integral to the stability of the appliance while in use.

**STEP 02** Screw the four (4) wheels into the four (4) legs. (Ensure that the wheels are locked.)

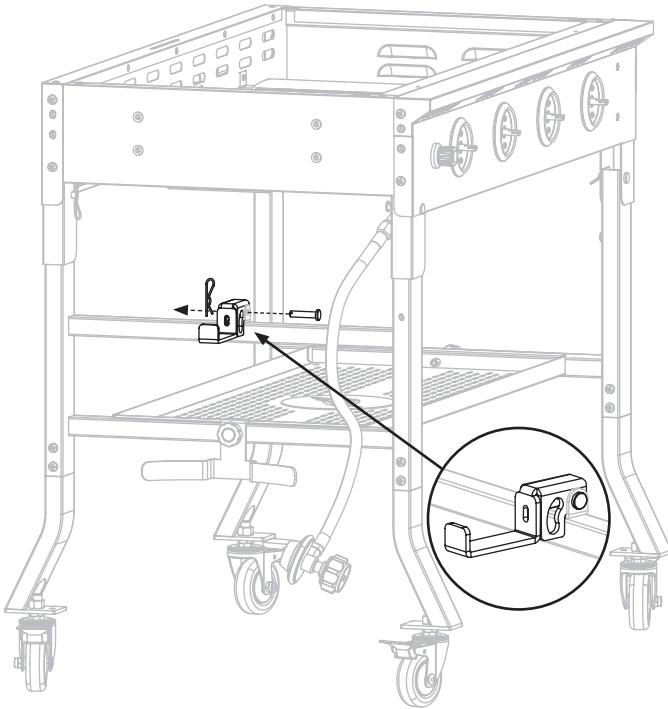


**STEP 03** Use sixteen (16) M6x12 bolts [a.] to attach the lower legs to the upper legs.

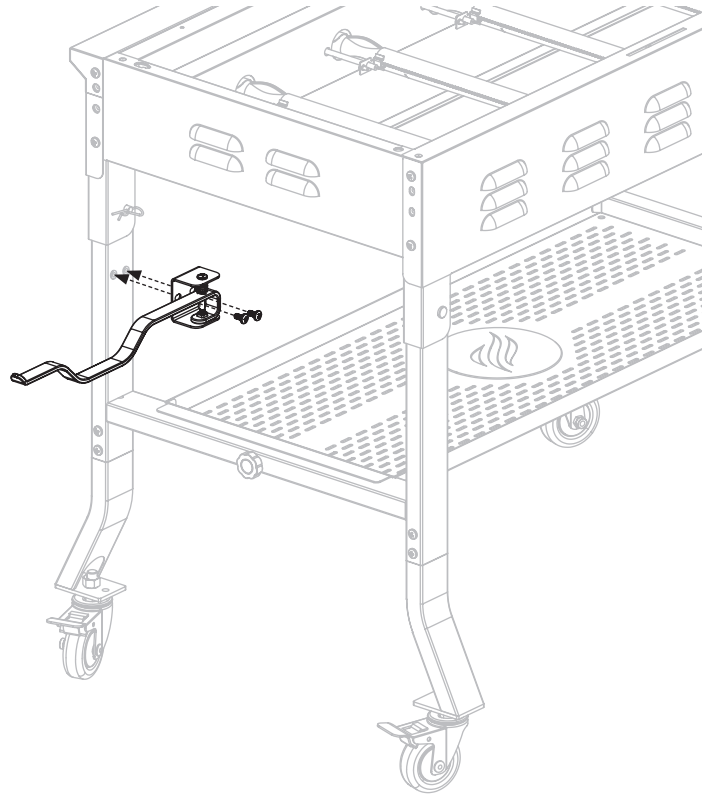




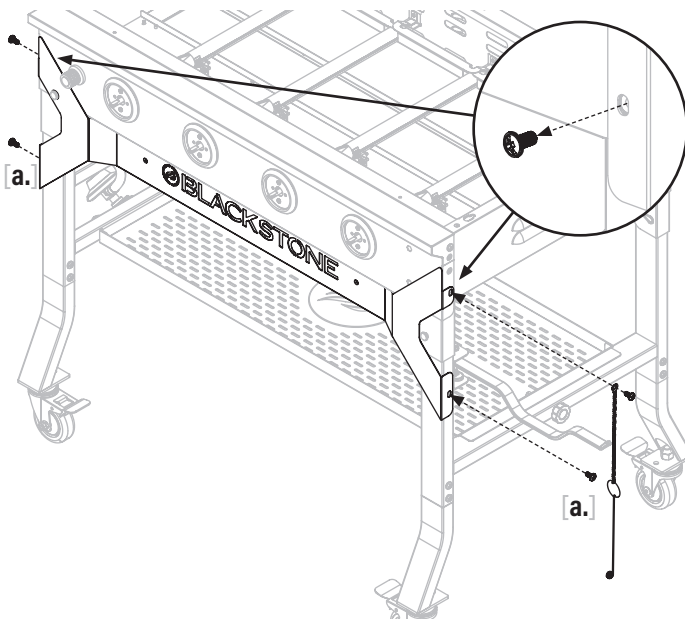
**STEP 01** With the help of another person, set the griddle on its feet. Use one (1) shear pin [h.] and one (1) cotter pin [i.] to attach the LPG hook to the upper bar of the left leg assembly.



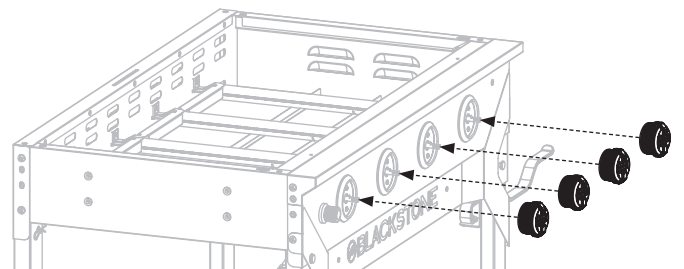
**STEP 02** Use two (2) M6x12 bolts [a.] to attach the paper towel holder to the front right leg.



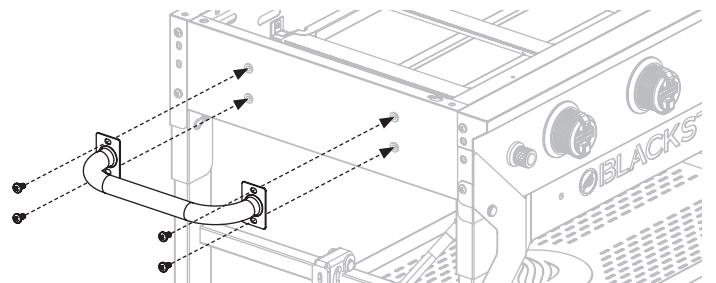
**STEP 03** Unscrew the two (2) lower bolts from the sides of the griddle body. Use these two bolts and two (2) M6x12 bolts [a.] to attach the logo panel and matchstick holder to the front of the griddle.



**STEP 04** Install the four (4) control knobs by pushing them into place in the OFF position.

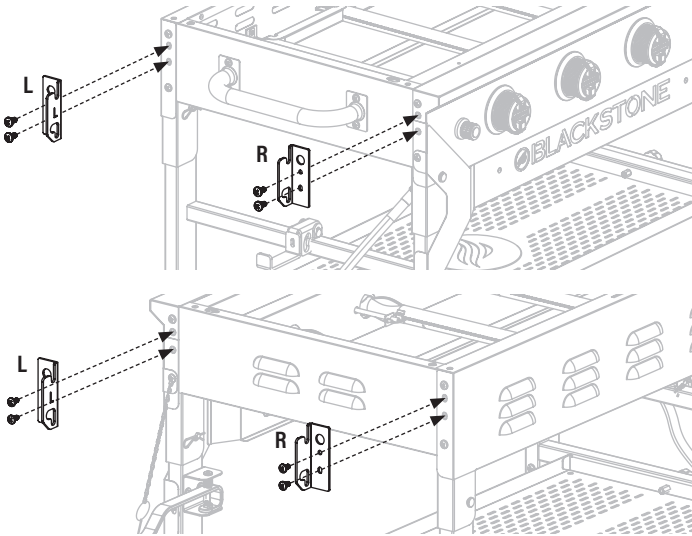


**STEP 05** Use four (4) M6x12 bolts [a.] to attach the side handle to the left side of the griddle body.



**STEP 06** Use four (4) M6x12 bolts [a.] to attach one (1) side shelf bracket (L) and one (1) side shelf bracket (R) to the left side of the griddle body.

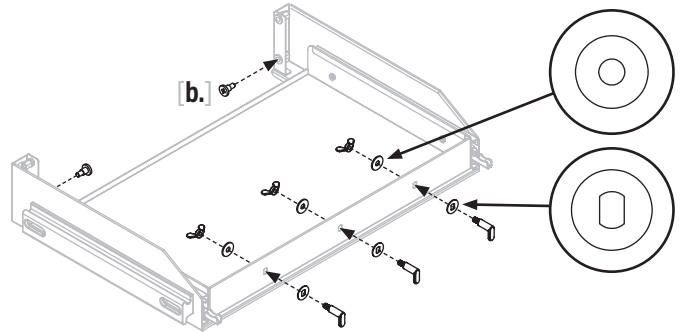
Repeat with the right side of the griddle body.



**STEP 07** Thread two (2) M6 step bolts [b.] into the upper holes of the left side shelf.

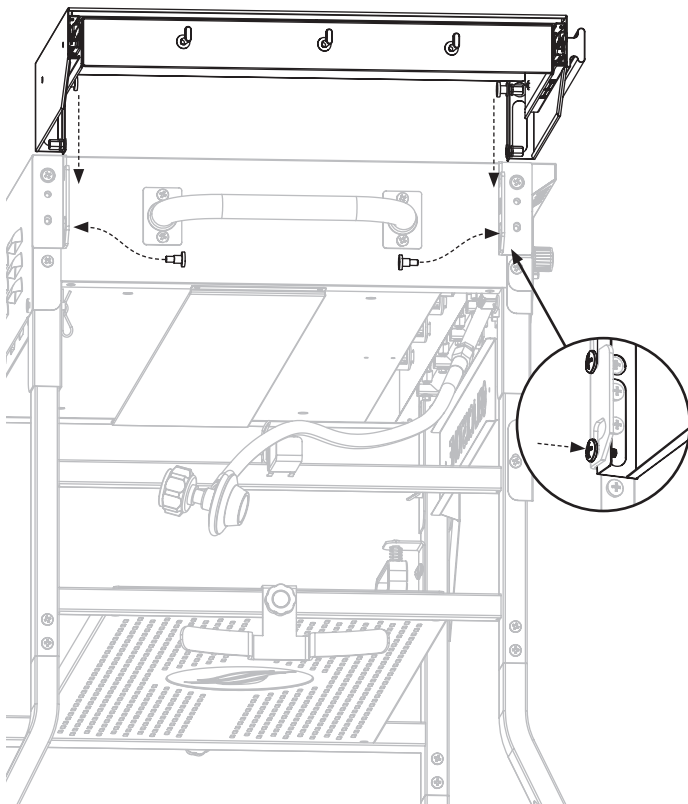
Use three (3) wing nuts [c.], three (3) slotted washers [g.], and three (3) washers [j.] to attach three (3) side shelf hooks [d.] to the left side shelf.

Repeat with the right side shelf.

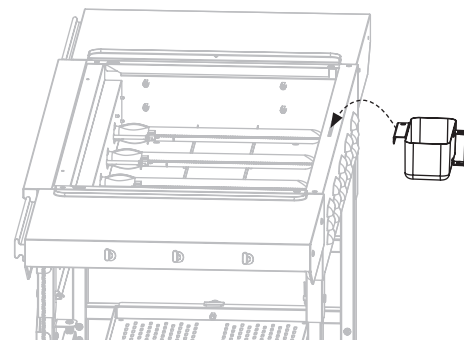


**STEP 08** Hook the left side shelf's upper step bolts on the side shelf brackets. Use two (2) M6 step bolts [b.] to secure the side shelf to the side shelf brackets.

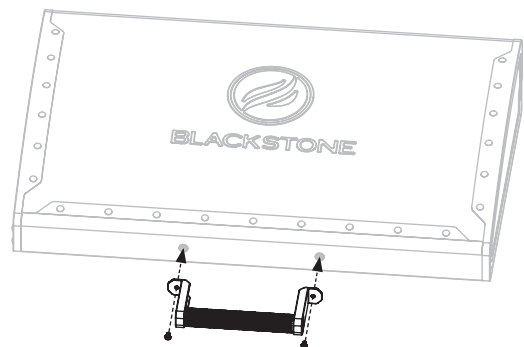
Repeat with the right side shelf.



**STEP 09** Hang the grease cup in the slot at the back of the griddle body.

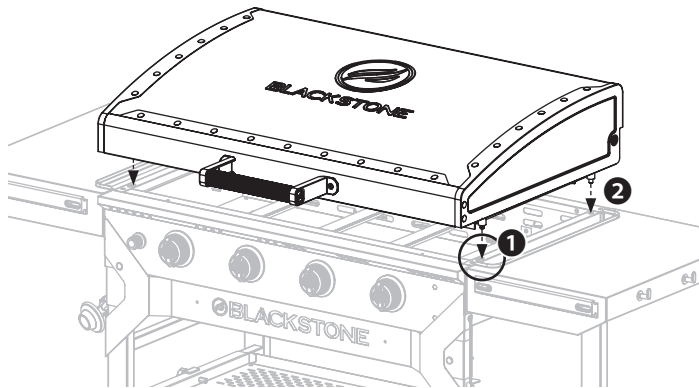


**STEP 10** Use two (2) M6x12 bolts [a.] to install the hood handle to the griddle hood.

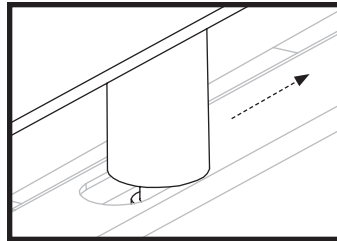




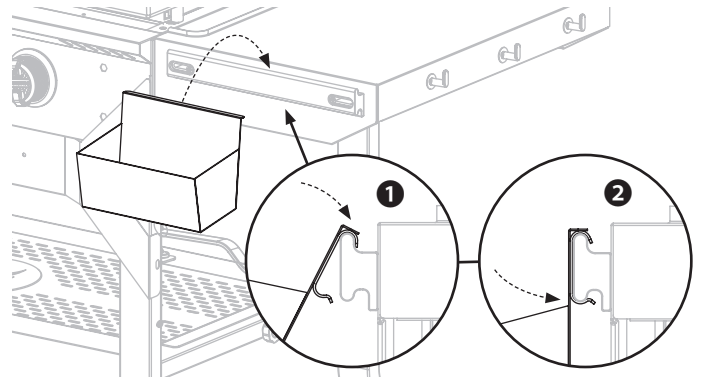
**STEP 11** With the help of another person, place the griddle top and hood on the main body by aligning the 4 pins to the holes of the body.



- 1 Place the two front pins into the front locking holes and push the griddle top back.
- 2 Then, set the two rear pins into the rear holes.

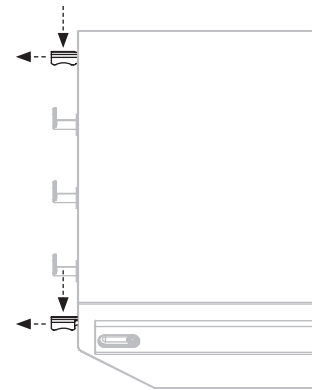


**STEP 12** 1 Hang the shelf basket on the accessory rail.  
2 Push the basket in to secure.

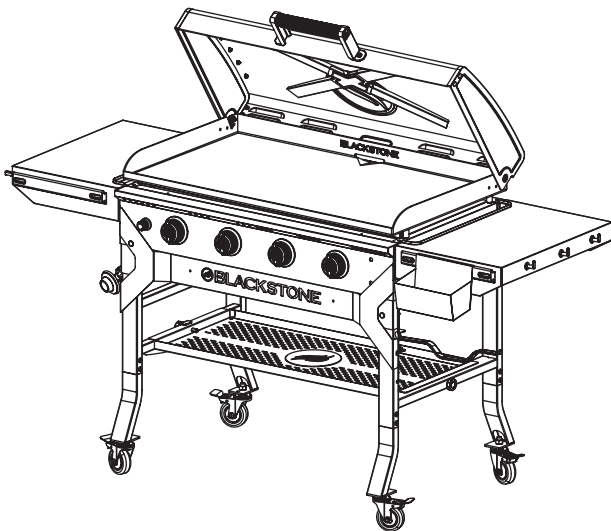


Push down on the shelf tabs to unlock the shelf extender. Slide out the extender until it locks.

Push down on the shelf tabs to unlock and slide back in.



**STEP 13** Proceed to the **OPERATION INSTRUCTIONS**.



**CAUTION**

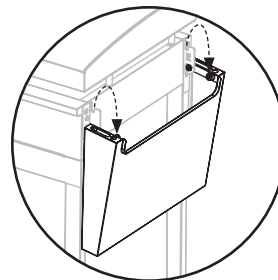
Hot appliance. The cover/lid/hood **MUST** be open when the appliance is in use.

**NOTICE**

DO NOT place items on stabilizing shelf during use.

**NOTICE**

- Maximum weight on the side shelf is 10 lbs (4.5 kg).
- The side shelf may get hot while appliance is in use.



Lift and fold the side shelves when moving or storing, as applicable. (Shelf design may vary.)

# OPERATION INSTRUCTIONS

## THE GAS SYSTEM

### FITTINGS & HOSES

Prior to connection and use, ensure that there is no debris caught in, or damage to, the head of the gas cylinder, regulator, hose, burner and burner ports. (Worn or damaged hose/ regulator must be replaced with a Blackstone approved model before using appliance.)

- Annual checking and tightening of metal fittings is recommended.
- Ensure that the hose is not obstructed, kinked, or in contact with any part of the appliance other than at its connection.

The LPG cylinder supply system must be arranged for vapor withdrawal.

- Always keep new LPG cylinders in upright position during use, transit or storage.
- Always keep the ventilation opening(s) of the cylinder enclosure free and clear from debris.

If grease or other hot material drips onto valve, hose or regulator:

**STEP 01** Turn off gas supply immediately.

**STEP 02** Determine the cause and correct it.

**STEP 03** Clean and inspect valve, hose and regulator.

**STEP 04** Perform a leak test.

Please note that the hose is already fitted to the valve on the underside of the control panel of the appliance. You DO NOT have to adjust this connection but should leak test this once the hose and regulator are connected to the gas cylinder at the Type 27 valve + Type 27 appliance connection.

### DO NOT DISCONNECT HOSE FROM VALVE.

If you need a replacement hose and regulator or have any queries on the gas system, please call our Customer Service line.

### CYLINDER REQUIREMENTS

- Ensure that a 100% universal (LPG) refillable gas cylinder currently certified to Australian Standard AS 2469 is used. DO NOT use disposable gas cylinders.
- 3.7-8.7 kg gas cylinders with a Type 27 low pressure connection are to be used with this appliance.
- Suitable regulators must have an outlet pressure of 2.75 kPa.
- Only use an Australia certified gas hose with a hose length of 500mm +/-15mm to prevent the regulator from touching the floor.

### **⚠ DANGER**

ALL INSTRUCTIONS AND SAFEGUARDS MUST BE FOLLOWED TO PREVENT FIRE, PROPERTY DAMAGE, OR PERSONAL INJURY.



**FOR STORAGE AND CYLINDER EXCHANGE,  
DISCONNECT THE CYLINDER ONLY.  
DO NOT DISCONNECT HOSE  
FROM APPLIANCE.**

**⚠** Inspect the date status on the collar before use. The LPG cylinder must be tested every 10 years.

### REGULATOR SAFETY

- Use this appliance, as purchased, only with gas and regulator/ valve assembly supplied. DO NOT use quick connect fittings or other add-ons.
- DO NOT cross thread (force at an improper angle) the connection between your LPG cylinder and regulator.
- If you can not connect the regulator, DO NOT use the regulator.

Regulator must be replaced with a Blackstone approved model by a professionally licensed, authorized dealer.

## CONNECT THE LPG CYLINDER

**STEP 01** Ensure that the control knobs are turned OFF.

Ensure that the LPG cylinder is OFF by turning the hand wheel clockwise to a full stop.

**STEP 02** Hold the regulator in a straight line with the valve outlet so as not to cross thread the connection.

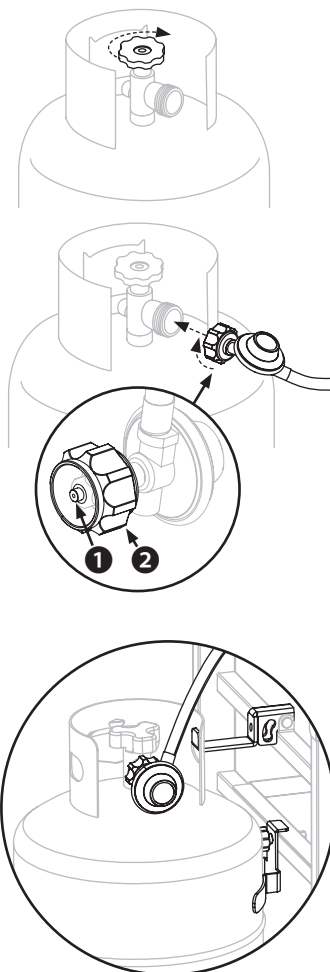
**1** Center and insert the regulator nipple into the valve outlet.

**2** Hand-tighten the coupling nut in a clockwise direction. (DO NOT use tools to connect.)

If connection cannot be completed, disconnect regulator and repeat this step.

**STEP 03** The safety relief valve must face away from the user while the appliance is in use.

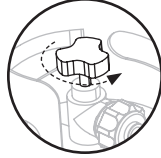
Secure the LPG cylinder to the appliance by hanging it on the LPG hook so that it nestles against the LPG support.





### HOW TO TURN ON THE GAS:

Turn the hand wheel counter-clockwise 1 to 3 turns.



### LEAK TEST INSTRUCTIONS

- Leak test new and exchanged LPG cylinders BEFORE connecting to appliance.
- DO NOT smoke during leak test.
- DO NOT use an open flame to check for gas leaks.
- Appliance must be leak tested outdoors in a well-ventilated area, away from ignition sources such as gas fired or electrical appliances.
- During leak test, keep appliance away from open flames or sparks.

**STEP 01** Turn off the gas supply at the gas cylinder valve. Ensure that the control knob valves are OFF.

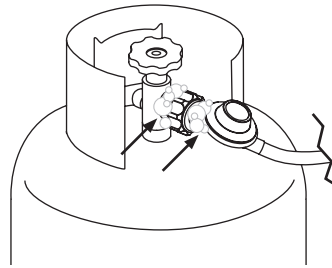
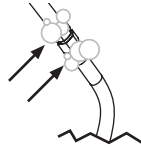
Connect the regulator to the LPG cylinder and turn ON the gas.

If you hear a rushing sound, turn gas off immediately. There is a major leak at the connection.

**STEP 02** Use a clean paintbrush to brush a 1% mild soap and water solution onto joint areas of valves and regulator.

Leaks are indicated by growing bubbles.

**STEP 03** Immediately turn OFF the gas and re-tighten connections.



#### ⚠ WARNING

If leaks cannot be stopped, DO NOT try to repair. Regulator must be replaced with a Blackstone approved model by a professionally licensed, authorized dealer.

### FILLING & EXCHANGE

- Use only those reputable exchange companies that inspect, precision fill, test and certify their cylinders. LPG dealer must purge new cylinder before filling.
- To remove gas from LPG cylinder, contact a certified LPG dealer or local fire department for assistance.
- DO NOT release liquid petroleum gas (LPG) into the atmosphere. Your retailer can help you match a replacement LPG cylinder to your appliance. Volume of propane in cylinder will vary by temperature.

#### ⚠ WARNING

A frosty regulator indicates gas overfill. Immediately close LPG cylinder valve and call local LPG dealer for assistance.

### STORING LPG CYLINDERS

#### ⚠ WARNING

- DO NOT store a spare LPG cylinder under, near, or in this appliance.
  - DO NOT fill an LPG cylinder beyond 80% full.
- If the information above is not followed exactly, a fire causing death or serious injury may occur.

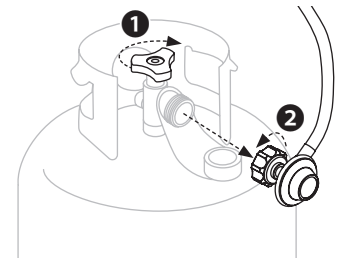
- The LPG cylinder must be turned OFF when the appliance is not in use.
- LPG cylinders must be stored outdoors and out of the reach of children.
- DO NOT store an LPG cylinder inside a building, garage, or in any other enclosed area.
- DO NOT store an LPG cylinder where temperatures can reach over 122°F (50°C).

### DISCONNECTING THE LPG CYLINDER

Storage of the appliance indoors is only permissible if the LPG cylinder is disconnected and removed from the appliance.

Ensure that the control knobs are turned to OFF.

- 1 Ensure that the LPG cylinder is OFF by turning the hand wheel clockwise to a full stop.
- 2 Turn the coupling nut counter-clockwise by hand to remove the regulator. (DO NOT use tools to disconnect.)



Place dust cap on cylinder valve outlet whenever the cylinder is not in use. Only install the type of dust cap on the cylinder valve outlet that is provided with the cylinder valve. Other types of caps or plugs may result in leakage of propane.

# IGNITION INSTRUCTIONS

## 1. CHECK VALVES

⚠ Ensure gas is OFF before checking appliance valves.

**STEP 01** Turn all knobs to the ❶ OFF position.

**STEP 02** Push in knob(s) and release. Knob(s) should spring back. If knob(s) DO NOT spring back, replace valve assembly before using appliance.

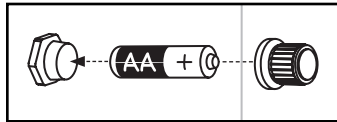
**STEP 03** Rotate knob(s) to LOW then turn back to OFF. Knob(s) should turn smoothly.

**STEP 04** Connect and turn ON the gas, as applicable. (Please reference the gas connection section.)

## 2. BATTERY POWERED IGNITION

**STEP 01** Insert one (1) AA battery under the ignitor button.

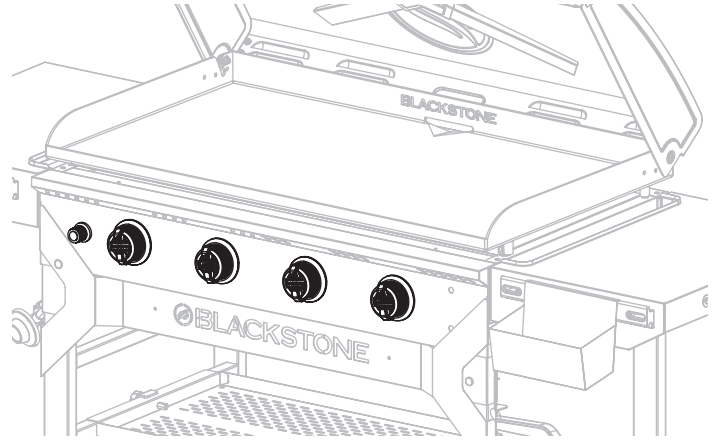
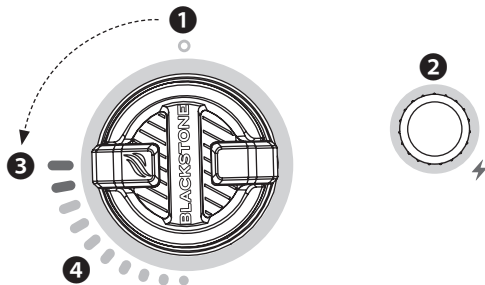
Screw the button into place over the positive terminal.



Clean the battery and appliance contacts prior to battery installation.

### STEP 02

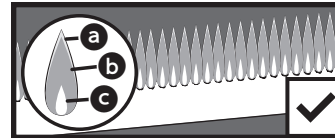
- ❷ Push and hold the ignitor button.
- ❸ Push and turn the control knob counter-clockwise to HIGH. (Release the ignitor button when the burner lights.)
- ❹ Adjust the temperature to desired level.



## 3. ALWAYS CHECK BURNER FLAME BEFORE USE.

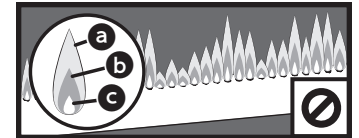
Light burners and look below the cooking surface to view burners. When knob is at HIGH, flames should be larger than when knob is at LOW.

### HEALTHY FLAME PATTERN



- a Flickers of yellow.
- b Dark blue.
- c Vibrant blue.

### YELLOW OR IRREGULAR



If flames are yellow or irregular, please reference the Troubleshooting chapter.

### ⚠ WARNING

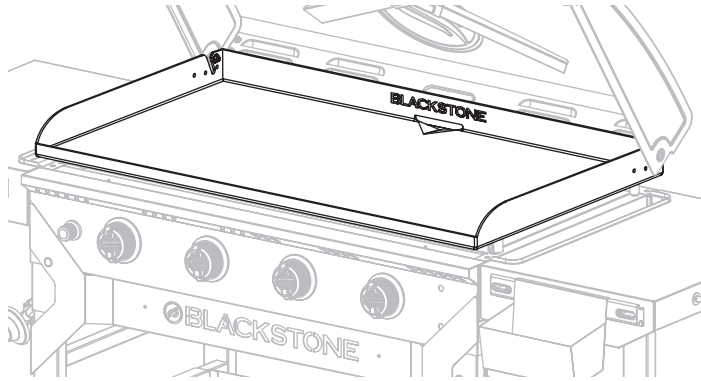
If burner does not ignite with open gas supply valve, gas will continue to flow out of burner and could accidentally/inadvertently ignite with risk of injury.

**If ignition does not occur in 5 seconds:**

1. Turn the burner control knob OFF.
2. Wait 5 minutes.
3. Repeat the lighting procedure.

If burner does not ignite, please reference the Troubleshooting chapter.

# GRIDDLE SEASONING INSTRUCTIONS



## WASHING YOUR GRIDDLE TOP BEFORE FIRST USE

**NOTICE**  
Soap will ruin a seasoned griddle. This is the only time you should use soap on the griddle cooking surface.

**STEP 01** Wash the griddle cooking surface with hot, soapy water.

**STEP 02** Rinse and dry completely.

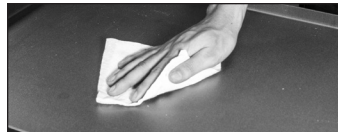
## SEASONING YOUR GRIDDLE



**VIDEO TUTORIAL**

How to Season a New Blackstone Griddle  
[youtube.com/watch?v=VspmDVnj2pl&t=3s](https://www.youtube.com/watch?v=VspmDVnj2pl&t=3s)

**STEP 01** Wipe any debris off griddle top.

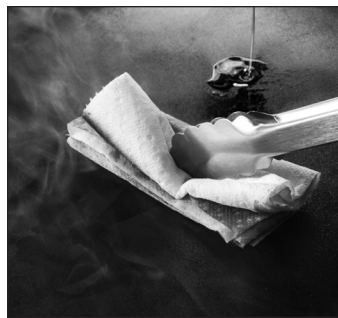


**STEP 02** Set your griddle to high heat until your griddle top changes color. (~10 min)



**STEP 03** Use tongs to hold a paper towel or cotton cloth and spread 2-3 tablespoons of your seasoning oil across the entire griddle top.

When seasoning your griddle top, remember to use a thin and even layer of oil—the thinner the layer of oil, the easier it will be to burn it off.



**STEP 04** The griddle top is ready for another layer of oil when it stops smoking. Repeat **STEP 03** 3-4 times, or until the griddle surface is black.



**NOTICE**  
DO NOT store any items within 3 in (8 cm) of the griddle top while in use.

- WHAT OIL IS BEST TO USE?**
- Blackstone Seasoning and Cast Iron Conditioner.
  - Any plant-based cooking oil.
  - Rendered animal fat with no additives.



**CAUTION**  
Properly dispose of the rags/ towels used to spread oil on your griddle top to prevent fires that might occur due to spontaneous combustion.

Under the right conditions, residual oil on rags or towels can oxidize long after being removed from a heat source. The oxidation process itself produces heat which, if not dissipated, can build up and may cause the rags/towels and surrounding material to ignite.

## SEASONING TROUBLESHOOTING

### THERE IS A BROWNISH RESIDUE ON THE GRIDDLE SURFACE:

POSSIBLE CAUSES	SOLUTION
• Too much oil was used.	<b>STEP 01</b> Turn your griddle on high and let it heat for 10-15 minutes.
• You turned off the heat too soon.	<b>STEP 02</b> Scrape off as much of the thickened and partially cooked oil as you can.
	<b>STEP 03</b> Re-season with a very thin layer of oil.

### THE EDGES OF THE GRIDDLE SURFACE ARE NOT BLACK:

After using your griddle for multiple cooks, the seasoning will even out and improve.

## PREVENTING RUST

Use your griddle frequently. Every time you cook, you are adding to the seasoning, which makes rust less likely.

**NOTICE**  
If you live in a humid or coastal climate, your griddle may require more frequent seasonings between uses.

If rust appears on the griddle surface, rub it off with steel wool, low grit sandpaper or the **Blackstone Pumice Stone** and re-season the surface.



**VIDEO TUTORIAL**

Recovering your Blackstone Griddle Top  
[youtube.com/watch?v=thPE2lgnSil](https://www.youtube.com/watch?v=thPE2lgnSil)

# COOKING ON YOUR BLACKSTONE

## ⚠ CAUTION

This appliance will be hot during and after use. Use long-handled utensils and oven mitts/ protective gloves when handling potentially hot parts, including handles close to the appliance body, to protect against burns and splatters.

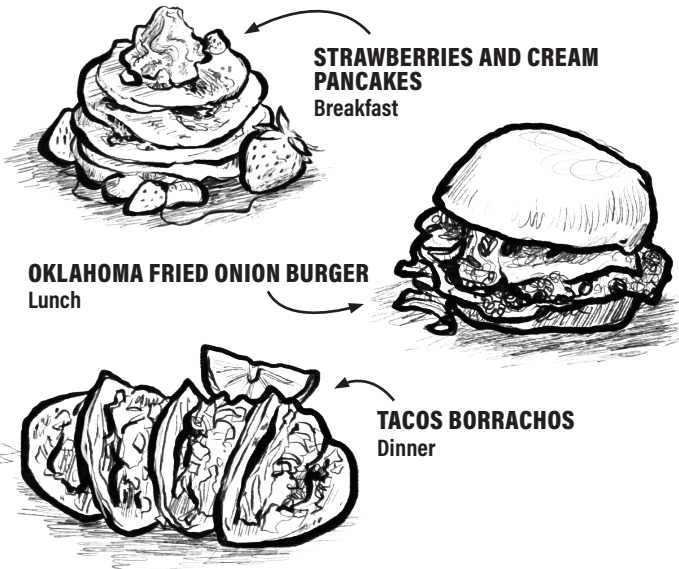
## VIDEO RECIPES

Find recipes and cooking tips at:

🌐 [BlackstoneProducts.com/recipes](https://BlackstoneProducts.com/recipes)

📺 [youtube.com/BlackstoneGriddles](https://youtube.com/BlackstoneGriddles)

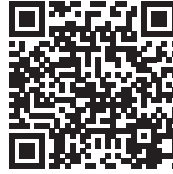
📱 [@blackstoneproducts](https://www.instagram.com/blackstoneproducts)



## CLEANING YOUR GRIDDLE TOP

Clean griddle top after each use, while still warm.

- DO NOT use soap on the griddle top. This will destroy the griddle's seasoning.



### VIDEO TUTORIAL

How to Clean your Blackstone Griddle

📺 [youtube.com/watch?v=-ledu9z6NPY](https://youtube.com/watch?v=-ledu9z6NPY)

**STEP 01** Push loose food debris into the grease cup with spatula or straight metal scraper.



**STEP 02** Wipe down griddle top with a paper towel or a Blackstone Scrub Pad.



**STEP 03** Apply a few tablespoons of water to the griddle surface, then scrape the water and debris into the grease cup.

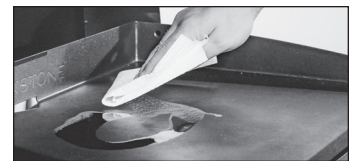
(For stuck-on food residue, use a bit of coarse salt.)



**STEP 04** Wipe again with a paper towel and dry completely.



**STEP 05** Apply thin coat of cooking oil to maintain seasoning and protect the griddle top.



## EMPTY YOUR GREASE CUP

The grease cup must be removed and emptied after each use.

**Note:** Making sure your griddle is on level ground will allow grease and water to drain towards the rear grease cutout.

## ⚠ CAUTION

Grease cup will be hot during and after use. DO NOT remove the grease cup until the griddle has completely cooled.



## CARE AND MAINTENANCE

### ⚠ WARNING

Grease build up can cause a fire. Clean any part of the appliance that gets hot and experiences grease build up after each use.

### ⚠ CAUTION

All cleaning and maintenance should be carried out when the appliance is cool and everything is turned OFF.

- DO NOT use abrasive pad on areas with graphics.
- If a bristle brush is used to clean any of the cooking surfaces, ensure no loose bristles remain on cooking surfaces prior to cooking.

### APPLIANCE BODY:

Wash with warm soapy water and immediately wipe dry with a non-abrasive cloth. (DO NOT allow cleaning agents to rest on any porous surface for a prolonged amount of time.)

### NOTICE

DO NOT use Citrisol, abrasive cleaners, or a concentrated cleaner on the appliance. This may result in damage to and failure of parts.

## APPLIANCE STORAGE

### ⚠ WARNING

DO NOT move the appliance when in use. Allow the appliance to cool to 115°F (45°C) before moving or storing.

Cover your appliance with a hard or soft cover or carry bag (as applicable) when stored outdoors. DO NOT store where water will pool.



### FIND MY COVER

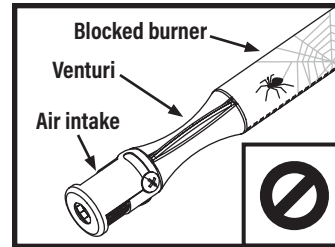
[BlackstoneProducts.com](https://www.blackstoneproducts.com)

- Covers
- Carry bags

## CLEANING THE BURNER ASSEMBLY

Spiders and insects can nest within and clog the burner/venturi tube at the orifice.

To reduce chance of a flashback fire, the procedure below should be followed at least once a month when spiders are most active or when your appliance has not been used for a period of time.



### ⚠ WARNING

A clogged burner can lead to a fire beneath the appliance. Burner should be removed and cleaned whenever blockages are found.



### VIDEO TUTORIAL

How to Clean Your Burner Tube

[youtube.com/watch?v=xKQTCrFCzf8](https://www.youtube.com/watch?v=xKQTCrFCzf8)

**STEP 01** Ensure that the gas is turned OFF at control knobs and gas supply. Remove the griddle top.

**STEP 02** Carefully detach and remove the burner.



**STEP 03** Clean the inside of the burner:

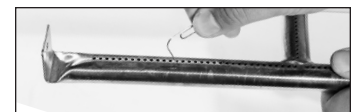
- Run a narrow bottle brush through the burner several times. (DO NOT use wire brushes)
- Use compressed air to blow out the burner. (Wear eye protection)



**STEP 04** Brush entire outer surface of burner to remove grime.

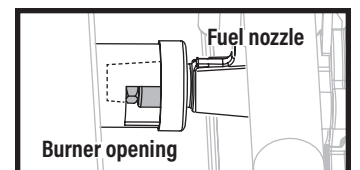


**STEP 05** Clean any blocked ports with stiff wire such as an open paper clip.



**STEP 06** Carefully replace burners and reattach, with attention to the location of the ignition needle.

⚠ The gas rail fuel nozzle must be reengaged within the burner opening.



# ENGLISH

## TRUBLESHOOTING

### IGNITION TROUBLESHOOTING

#### BURNER WILL NOT IGNITE:

If ignition does not occur in 5 seconds:

**STEP 01** Turn the burner control knob OFF.

**STEP 02** Wait 5 minutes.

**STEP 03** Repeat the lighting procedure.

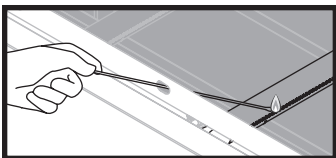
If this does not work, to determine the cause, please try to ignite your appliance with a match.

#### MATCH LIGHTING INSTRUCTIONS

Before beginning, check for gas leaks. Open hood (if applicable).

**STEP 01** Turn control knob to OFF position.

**STEP 02** Light a match (or long lighter) no shorter than 11 inches long.

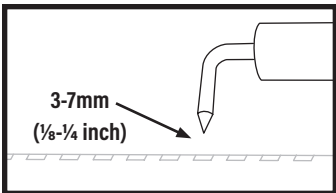


**STEP 03** Place the flame next to the burner.

**STEP 04** Push in and turn the control knob to start gas flowing. Ensure burner lights and stays lit.

#### IF YOU CAN IGNITE YOUR APPLIANCE WITH A MATCH:

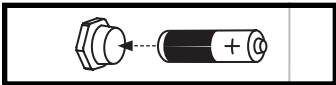
POSSIBLE CAUSES	SOLUTION
Ignitor wire misaligned.	Ensure that the ignitor needle is positioned 3-7mm (1/8-1/4 inch) away from the burner, and aligned with the burner holes.



Damage to the ignition system.	Contact customer support for replacement parts.
--------------------------------	---

Dead / improperly installed battery.	Replace with new battery.
--------------------------------------	---------------------------

For recycling and disposal of batteries to protect the environment, please check the internet or your local phone directory for local recycling centers and / or follow local government regulations.



- Ensure the battery is installed correctly with regard to polarity (+ and -).
- Remove batteries from equipment that is not to be used for an extended period of time.
- Remove used batteries promptly.

#### IF YOU CAN NOT IGNITE YOUR APPLIANCE WITH A MATCH:

POSSIBLE CAUSES	SOLUTION
Burner tubes are not receiving fuel.	Clean the burner assembly to remove the obstruction.

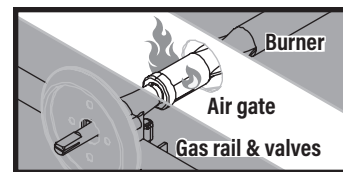
### GAS FLOW TROUBLESHOOTING

#### APPLIANCE WILL NOT ACHIEVE A HIGH HEAT OR HEATS UNEVENLY:

- Burner flames are yellow or irregular.
- Burner flames start strong, then immediately drop to low even when burner is set to high position.
- Flame height drops when a second burner is lit.
- Flames DO NOT extend the full length of the burner, or only run on one side of the burner.
- Burner flames are inconsistent.

POSSIBLE CAUSES	SOLUTION
Obstructions in the burner, gas jets, or fuel rail.	Clean the burner, jets, and gas hose.
Gas cylinder is empty or low.	Refill or replace the gas cylinder.

- A flame is coming out of the air gate.



POSSIBLE CAUSES	SOLUTION
Something is blocking the venturi in the burner.	Clean the burner assembly to remove the obstruction.

# CUSTOMER SUPPORT

## CONTACT US

For all questions, inquiries, or customer support, please contact us at:

**Imported by:** Mitre 10 New Zealand Support Office  
67 Corinthian Drive, Albany,  
Auckland 0632,  
New Zealand

**Local Call:** 0800 4648 7310

**Email:** [customercare@mitre10.co.nz](mailto:customercare@mitre10.co.nz)

## THREE YEAR WARRANTY

North Atlantic Imports, LLC warrants this product against defects in materials and workmanship for a period of three (3) years from the original date of purchase under normal use. To the extent any such defects occur, North Atlantic Imports, LLC, in its discretion, will provide the appropriate replacement part(s) at no charge.

In no event shall North Atlantic Imports, LLC be liable for consequential, indirect or incidental damages resulting from the installation, use or failure of the product.

This warranty DOES NOT cover:

- Inspection costs or labor for replacement of any defective part(s);
- Cosmetic defects which DO NOT affect product performance or integrity;
- Normal wear and tear;
- Damage due to vandalism; acts of nature, including but not limited to wind, storms, hail, floods;
- Improper assembly, installation, or use;
- Discoloration or fading of the finish as a result of exposure to chemicals, spills, pool or salt water;
- Corrosion/ rust.

This product has been designed for safety and quality. Any modifications made to the original product could compromise its structural integrity or function and could lead to product failure or personal injury. As such, modifying this product voids all warranties.

This product is for RESIDENTIAL USE ONLY, and is not for commercial, contract or other non-residential purposes. North Atlantic Imports, LLC disclaims all other representations and warranties of any kind, express or implied.

The warranty applies to the original purchaser and is non-transferable. It does not apply to accessories or parts not supplied with the product, to purchases of display models, or to product that is sold on clearance or "as is". You may, however, have other specific legal rights based on the laws of your specific state or country of residence.

To activate your warranty, register your product at

**[support@blackstoneproducts.com.au](mailto:support@blackstoneproducts.com.au)**

North Atlantic Imports, LLC reserves the right to change or modify this warranty at any time.

Our goods come with guarantees that cannot be excluded under the Australian Consumer Law. You are entitled to a replacement or refund for a major failure and for compensation for any other reasonably foreseeable loss or damage. You are also entitled to have the goods repaired or replaced if goods fail to be of acceptable quality and the failure does not amount to a major failure. The warranty covers domestic use only and does not apply to commercial applications.

This page intentionally left blank



This page intentionally left blank



This product may be covered by one or more issued U.S. and/or international patents and may include patent applications pending. For more information, please visit: [BlackstoneProducts.com/patents](https://BlackstoneProducts.com/patents)