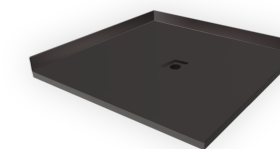


Note: Verify exact shower base dimensions on site

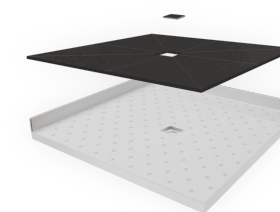
Tray Options:



PureWhite (Gloss White)



GraphiteBlack (Matte Black)



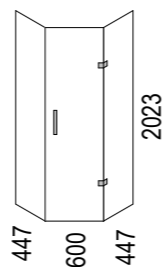
TileOver

Screen Options:

Tray Only (No Screen)

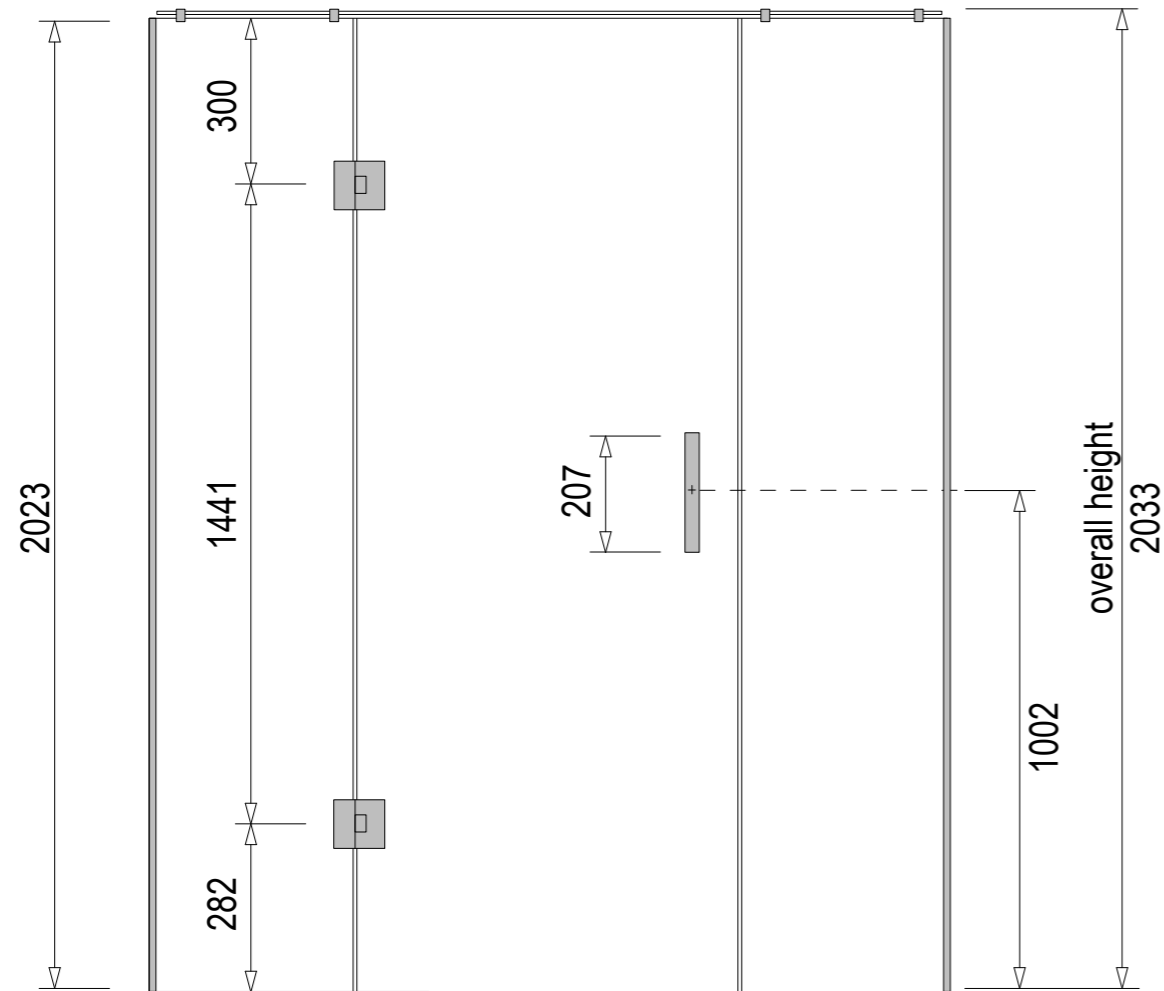


Hinged

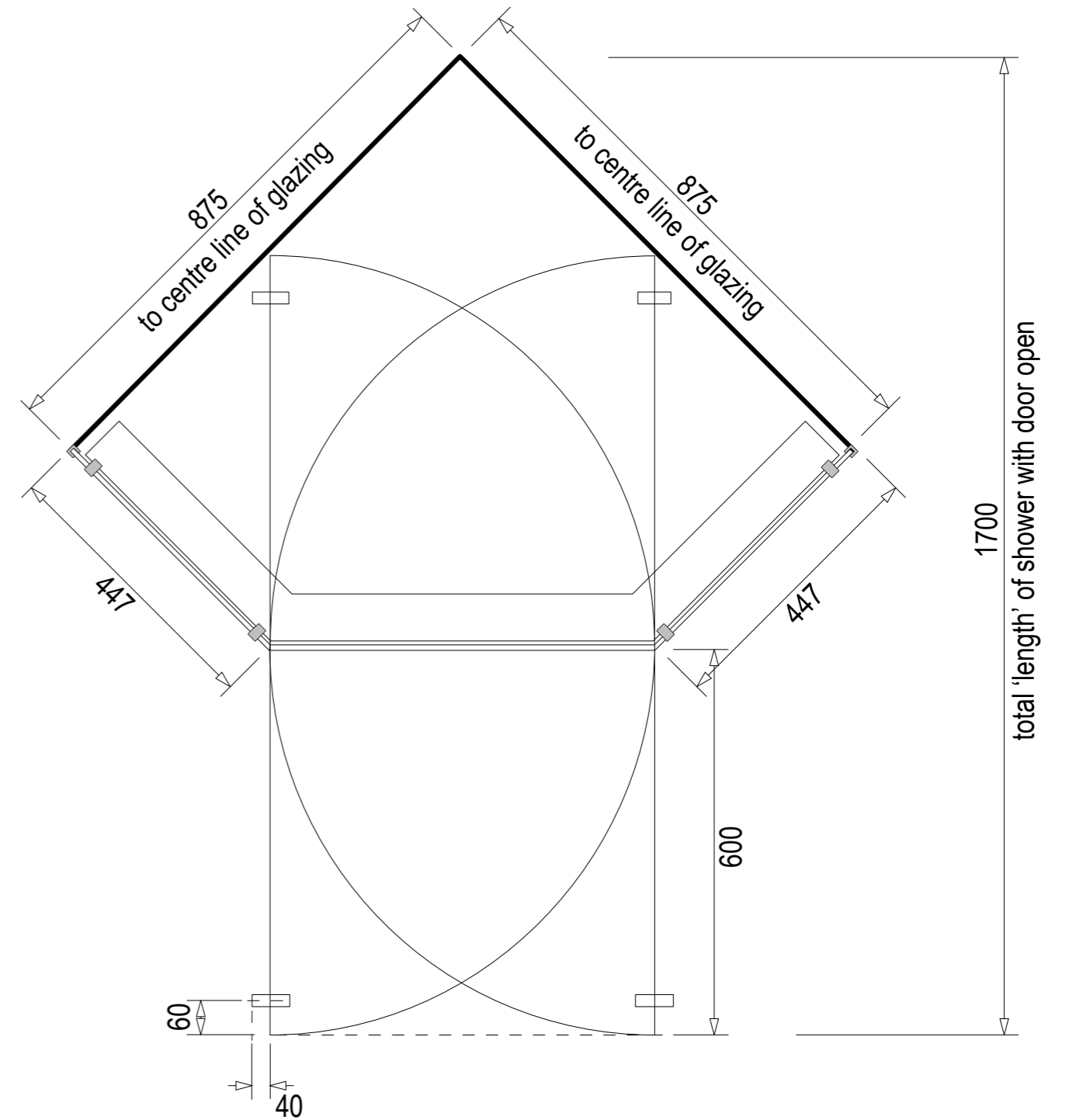


Screens are reversible

For more information visit www.mitre10.co.nz



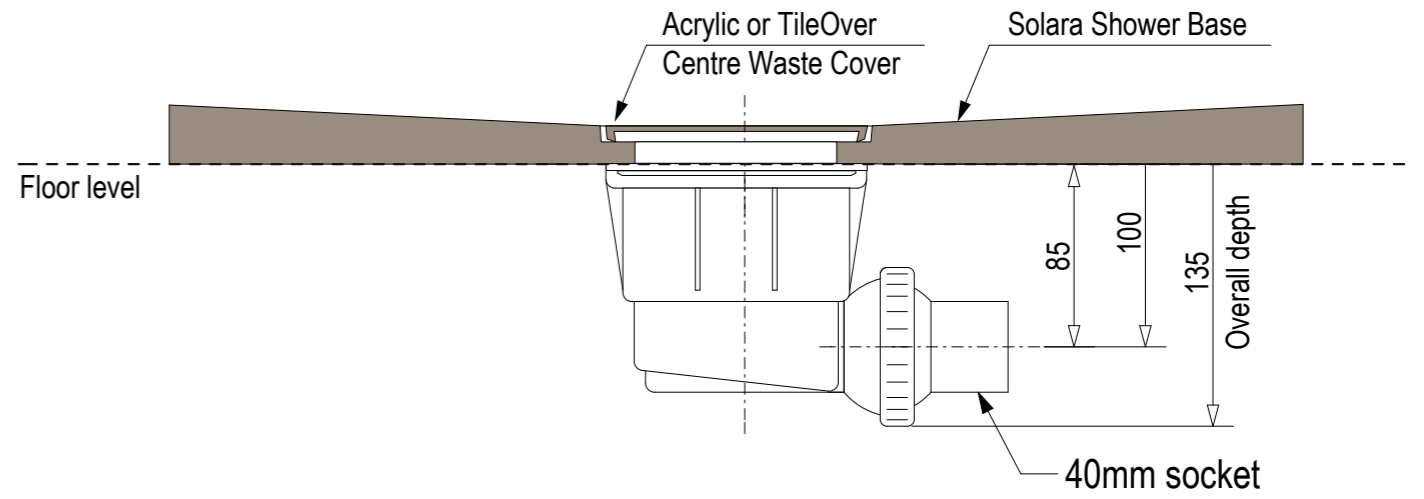
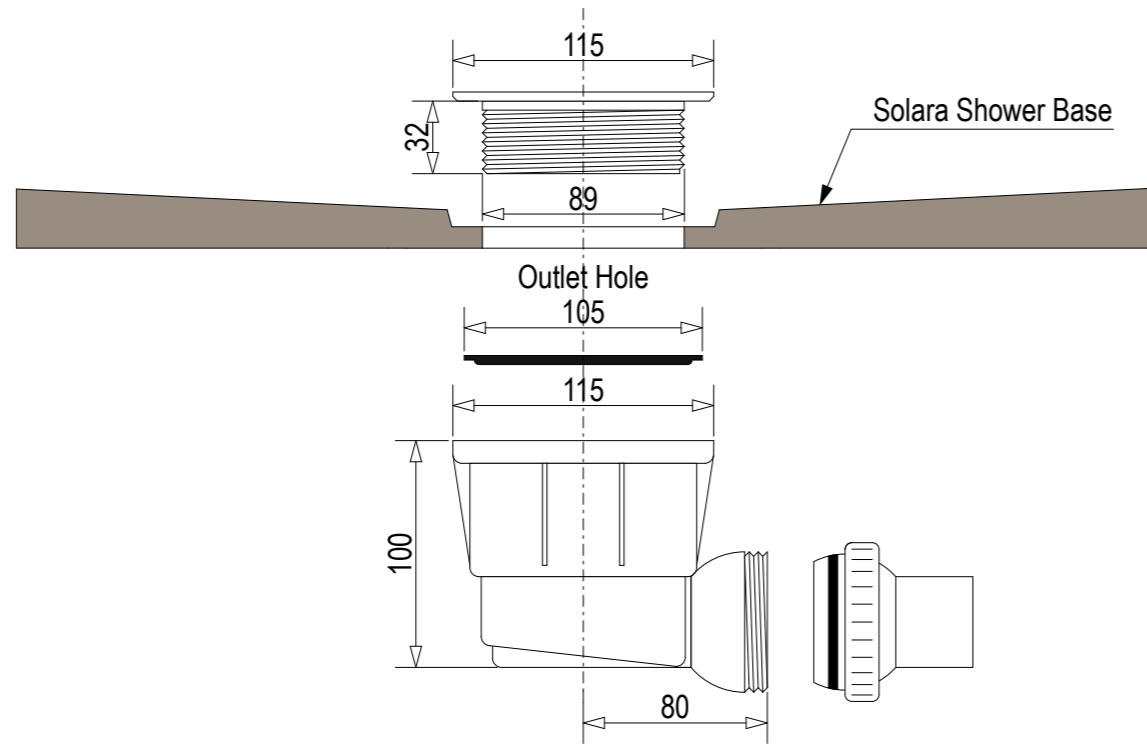
Note: Screens are reversible
See RHS for more info



Screen Specifications & Components:

- 3x 8mm Toughened **CristalVision™** Nano-Coated Screens @ 2023 high
- 2x Wall Glazing Channels @ 2023mm high
- 1x 6mm Toughened Glass Top Brace @ 100mm wide
- 4x Top Brace Blocks
- 2x Adjustable self-centering 135° hinges
- 1x Solara Handle set (192mm hole centres)
- 1x Sill Kit (more information on following pages)

For more information visit www.mitre10.co.nz



Ensure a minimum recess size of 250mm wide x 250mm long x 150mm deep for the waste outlet

