

NGARU MESH

358 Rigid Wire Security Fencing

PRODUCT CODE:

- 1.2mH: 358N-1.2-HPCB
- 1.8mH: 358N-1.8-HPCB
- 2.1mH: 358N-2.1-HPCB

MATERIAL:

HDG Rigid Wire 3.8mm Dia

FINISH:

Powder Coated Black

SHEET WEIGHT:

10kg/sqm

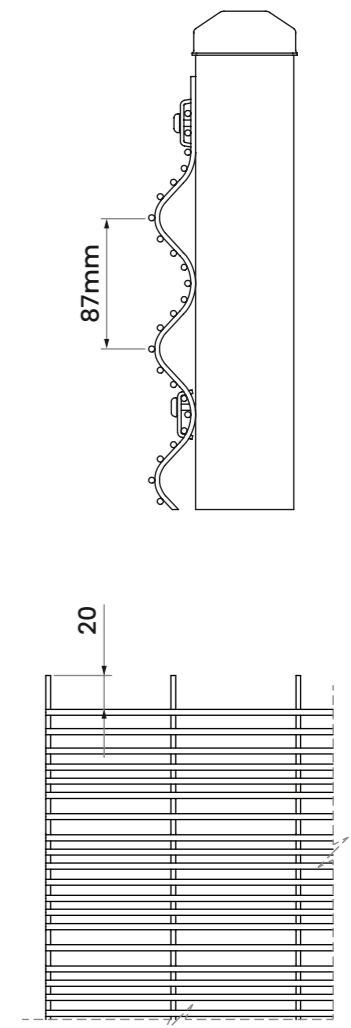
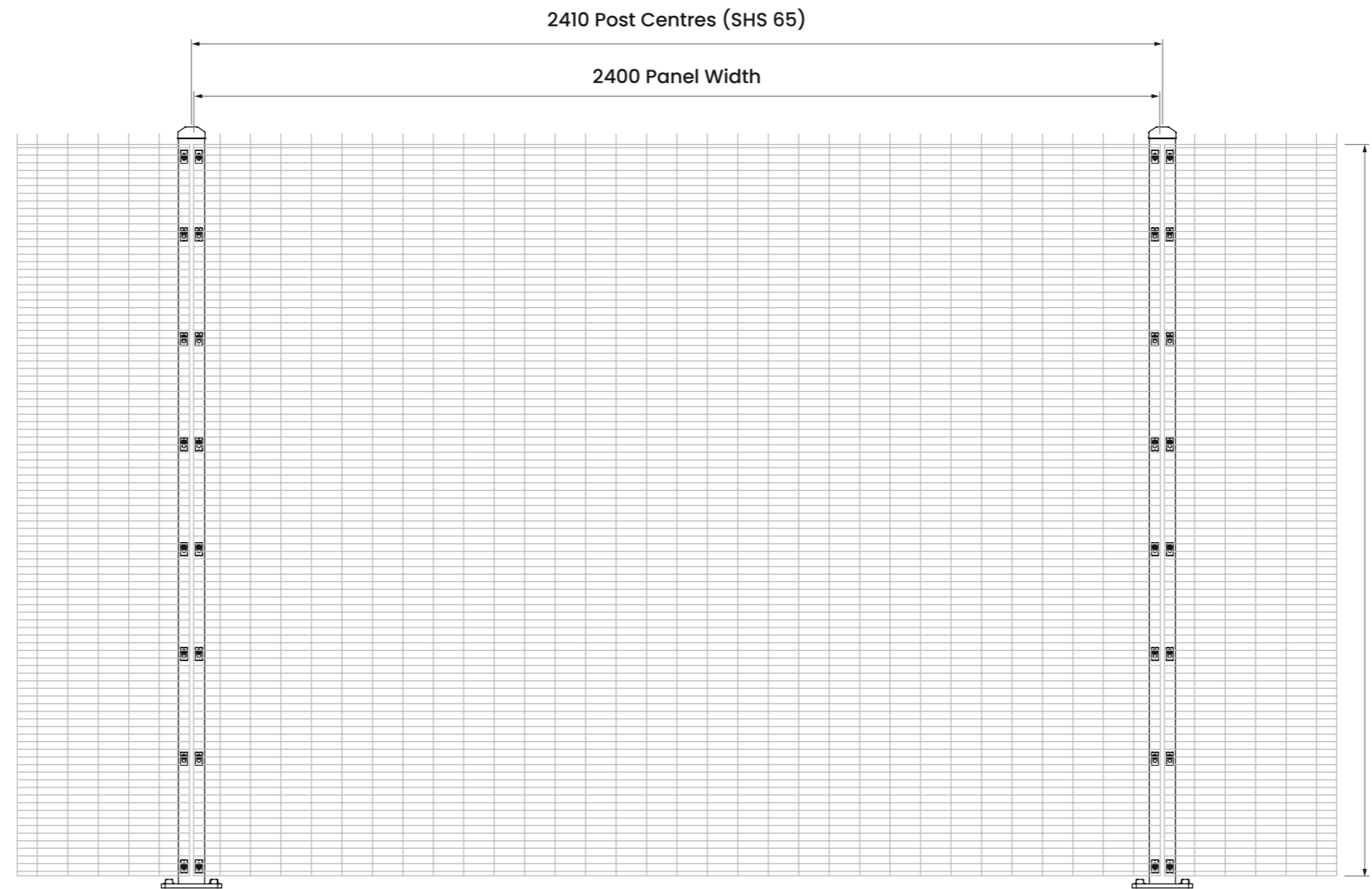
RECOMMENDED POST:

Steel 65 SHS x 2.5mm

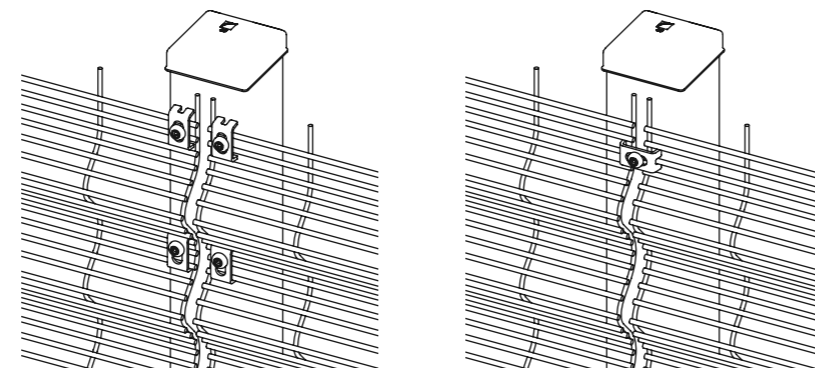
FIXINGS REQUIRED:

Ordered Separately

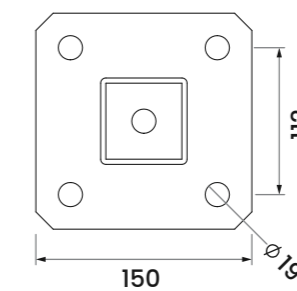
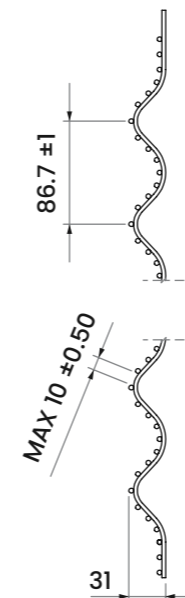
- Mesh Clips
- Security Screws



Spec subject to change

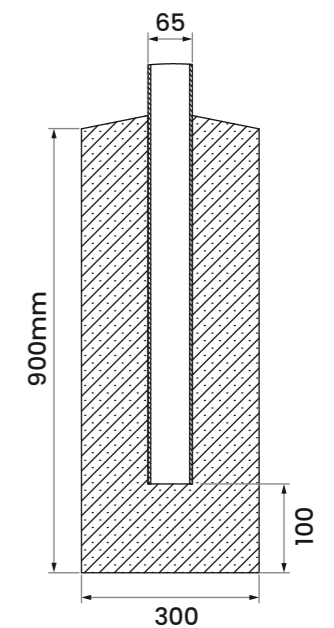


Fixing Detail



Flange Post

Post Size: 65mm
Flange Thickness: 10mm



Inground Post