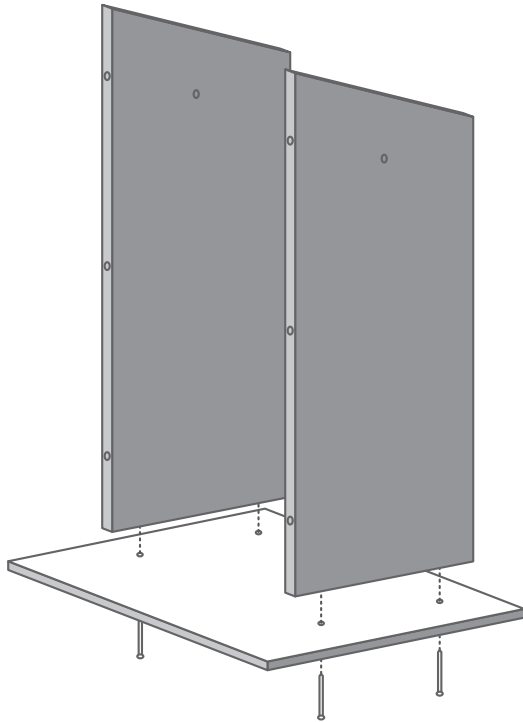


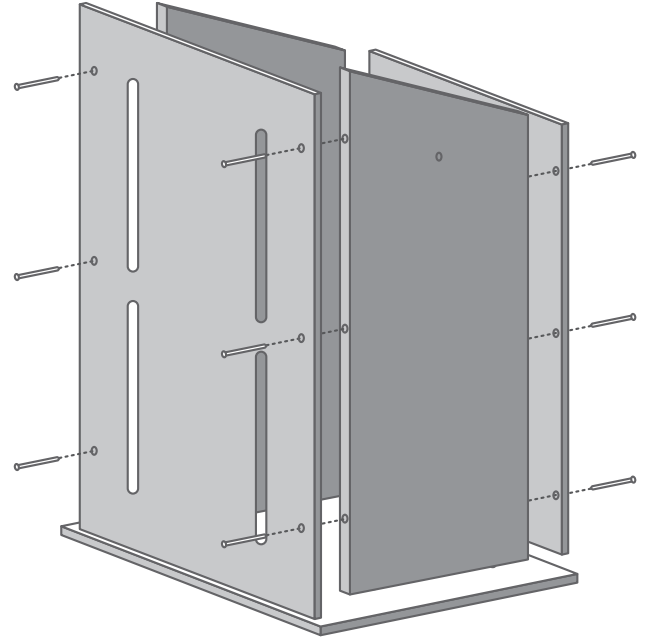


BUILD YOUR OWN BUTTERFLY HOUSE

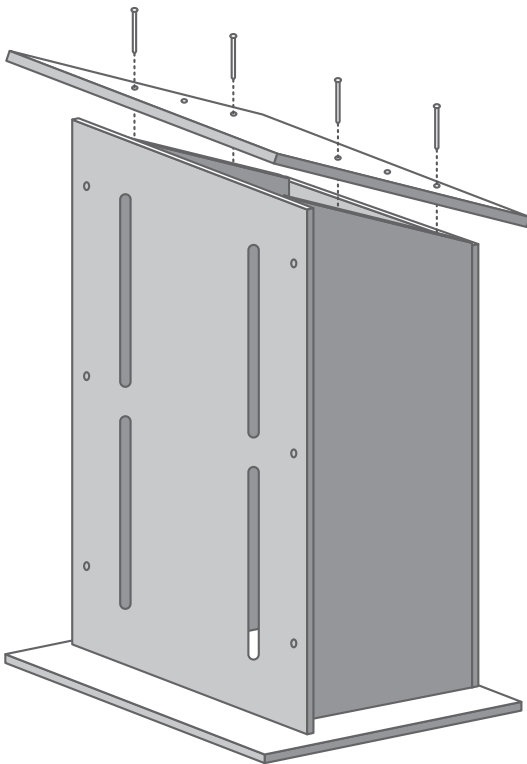
CAUTION: Kit contains components with functional sharp points. Adult supervision required. Please dispose of any components if they become damaged after assembly. Use safety goggles at all times. Small parts: not suitable for children under three years.



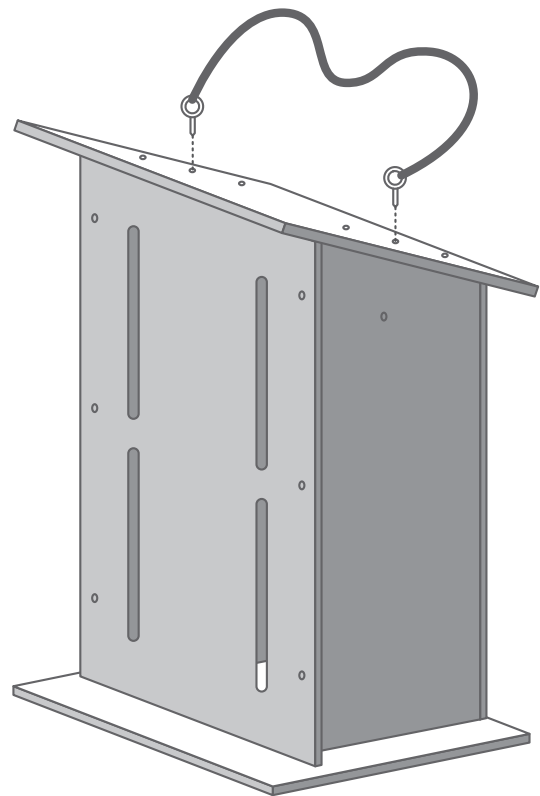
1. Assemble the base and two side walls with nails.



2. Assemble the front panel and back panel with nails.



3. Assemble the top panel with nails.



4. Install the screw eyes on the top panel.

FINAL: To decorate, place stickers provided on relevant areas of the completed butterfly house.