

INDEX	PAGE
2-Sided Shower	4-7
Alcove Shower	9-13

Important

1. When you receive your product check the contents for any freight damage or defects.
2. If this is a custom order, the size will be on the outside of the box. Check that it is correct.
3. Advise Marni on 0800 4 MARNI if any damage has occurred or if you have any questions about the size within 8 hours of receiving the goods so this can be rectified.
4. Do not install faulty products, as this will void your warranty.



Health and Safety

- Unpack glass, stand on soft packing on floor and walls prior to assembly.
- Do not rework glass panels.
- Do not strike an edge or corner of glass.
- Use two persons where heavy glass lifting is required.
- Wear appropriate protective clothing and eye protection during installation.
- Mark gas/water pipe and electrical wire locations to ensure these are not touched.

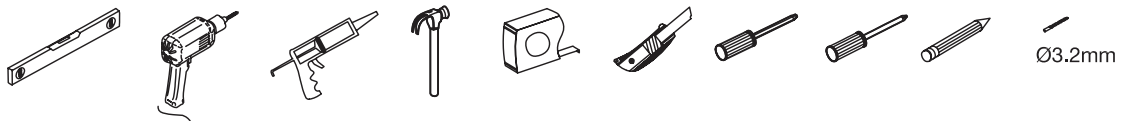


Attention

- **The tray base** must be installed level as this affects all shower alignments.
- **Wall Specifications** require a max variation of 3mm within shower height. Installer must check the viability of install if outside of these specs.
- **3-Sided Alcove Showers:** Wall must be accurate, straight, and plumb. Refer pre-install guide.
- **Double studs for solid fixing of wall channels:** Positioned at tray outside edge



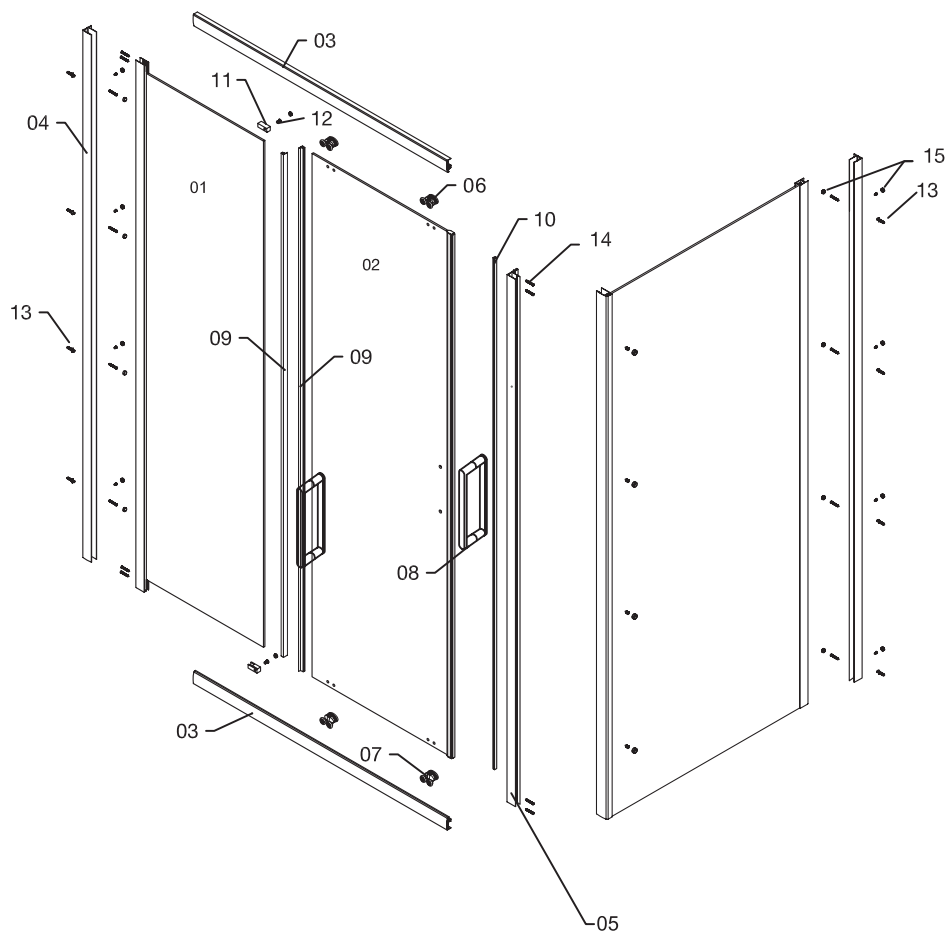
Tools Required



Warranty

- This covers faulty goods but not breakages. Visit marni.nz for information.
- Compliance with Specs and these instructions are essential for a valid warranty.

We recommend a skilled tradesman acquainted with shower installations to ensure the very best outcome.



COMPONENTS LIST

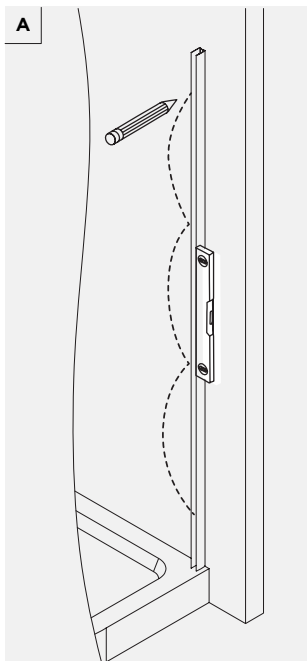
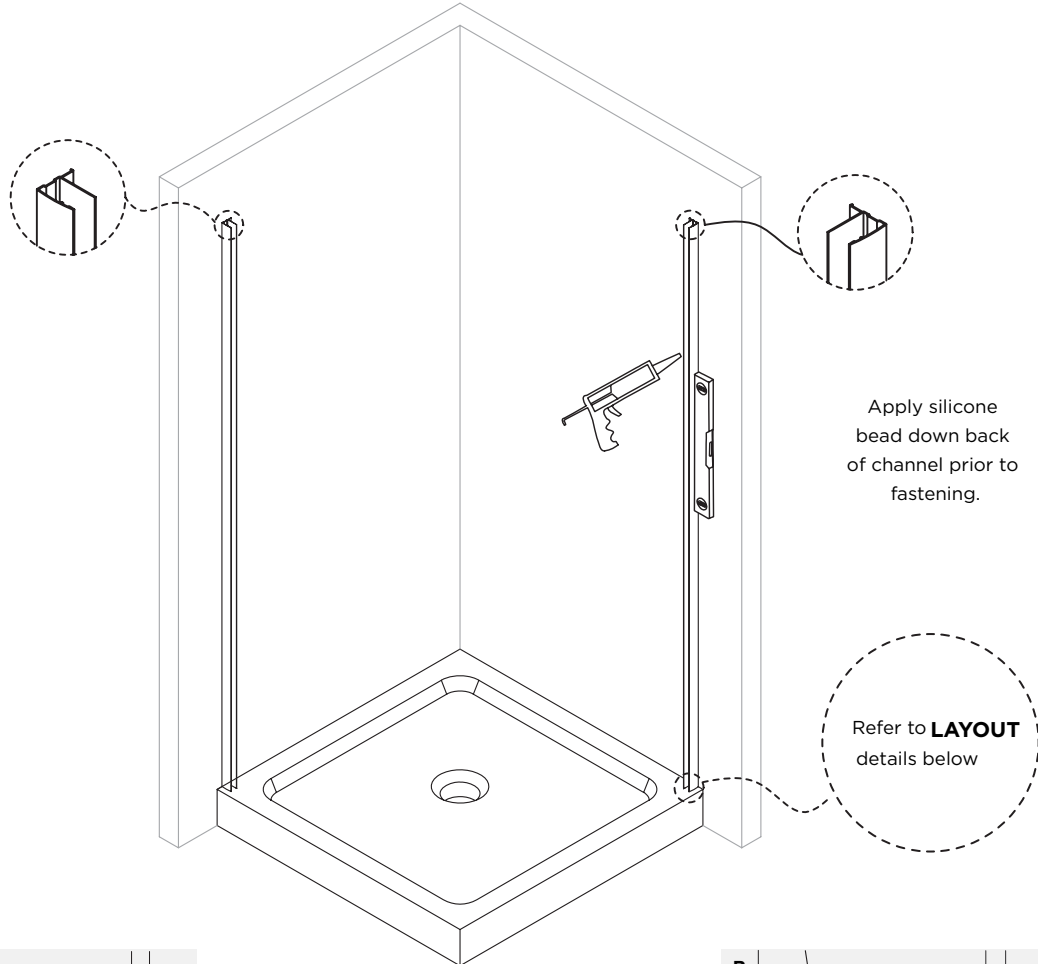
REFERENCE	DESCRIPTION	PART NUMBER	QUANTITY
1	Fixed Glass Panels		1
2			1
3	Top & Bottom Rails Chrome	K6884	1
	Top & Bottom Rails Chrome	K6891	1
4	Wall Channel Chrome	K7126	1
	Wall Channel White	K7133	1
5	Door Set Frame		1
6	Top Roller	K7072	2
7	Bottom Roller	K6792	2
8	Handle	H1263.CR	1
9	Seal Set	K2257	2
10	Magnetic Seal	K6938	1
		K6945	
11	Glass Clamp		2
12	Glass Clamp Screw ST 4*10	Screw Pack Chrome & White - K2301	2
13	Wall Plug (Concrete)		8
14	ST 4*35		16
15	Screw Caps		20
16	ST4*10		12
17			

*Code for Replacement Screw Pack - 2 & 3 Sided Chrome & White

SHOWER TYPE	WALL CHANNEL ADJUSTMENT
900mm Return Panel	870mm (Minimum) to 888mm (Maximum)
1200mm Door	1165mm (Minimum) to 1185mm (Maximum)

Walls out of plumb will not allow for full minimum/maximum options.

1

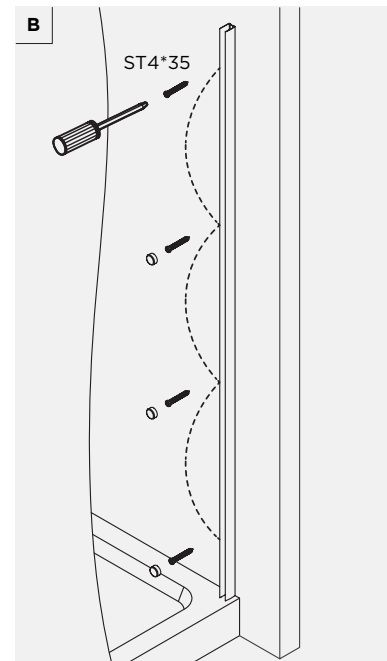


Mark Wall Profile

LAYOUT DETAILS
High Profile Acrylic Shower
Tray Size 1200 x 900 x 75mm high

Position the channel at 13mm off tray edge on both sides. This allows for walls bowed or leaning inwards up to 4mm. Reduce the measurement off tray edge if floor and walls dictate this.

Min/Max Table above

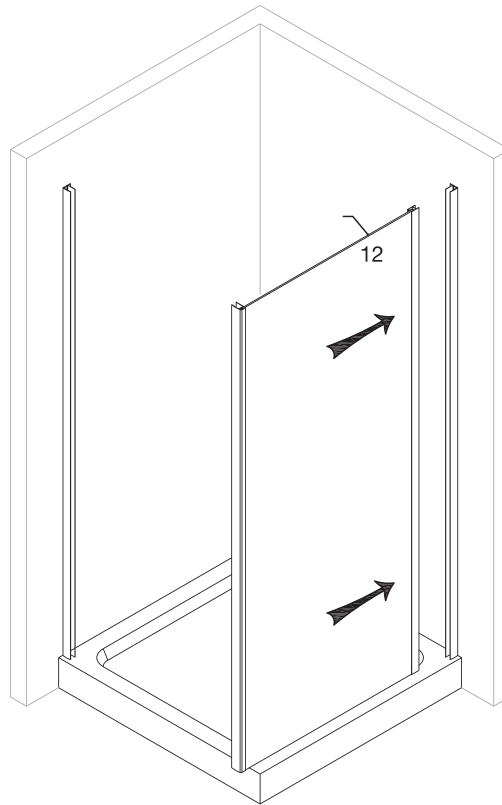


Fasten wall profile.

2

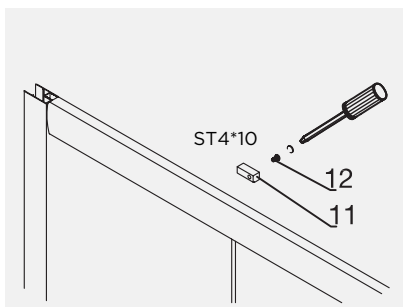
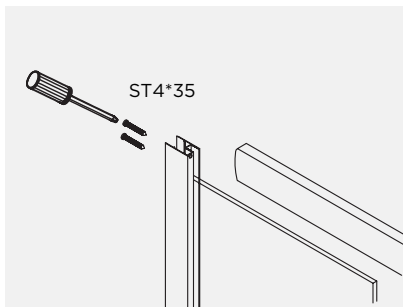
For details on door set assembly:

1. Door frame: Step 3 this page.
2. Glass door: Page 7 Step 4 & 5

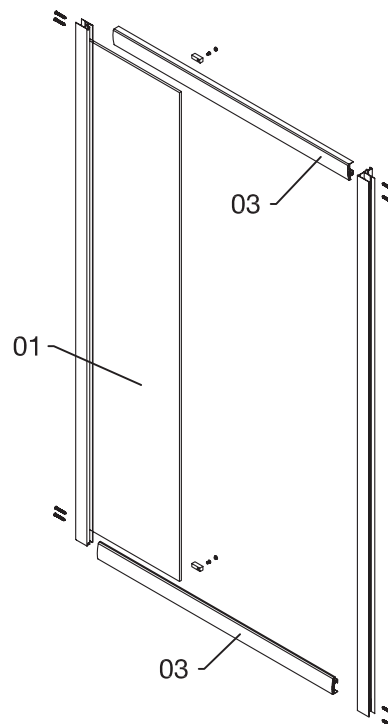


Fit return panel.

3

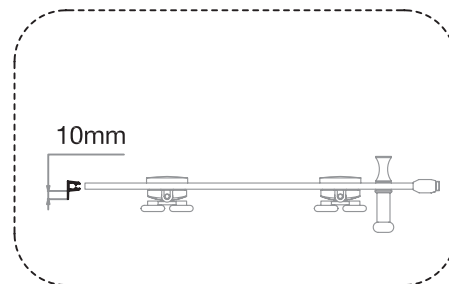
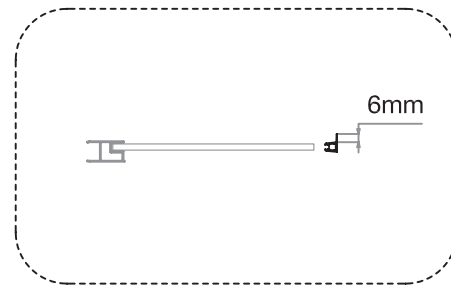
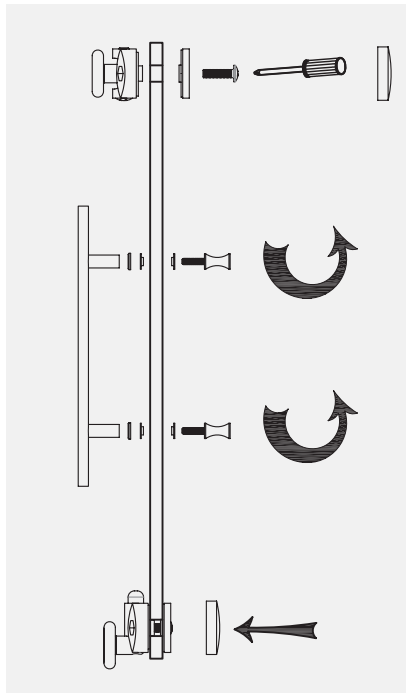


Door Assembly

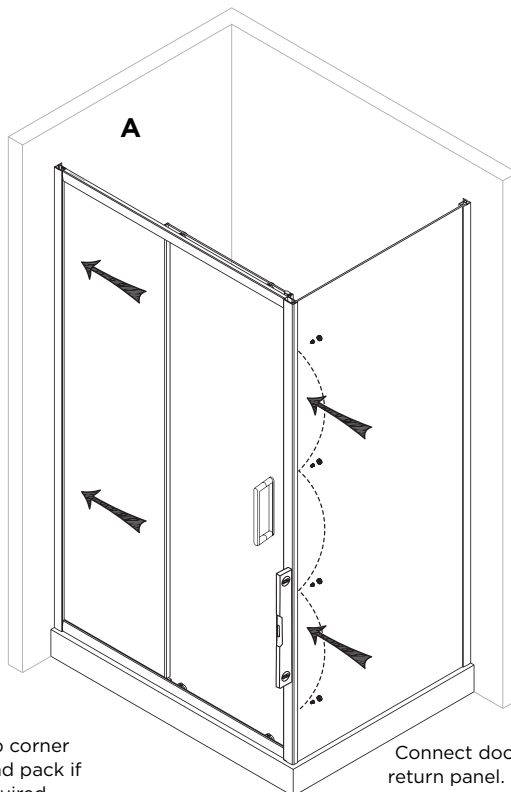


Top & Bottom Rails (03). Fit with bump stops at fixed glass end.

4 DOOR PARTS AND SEALS

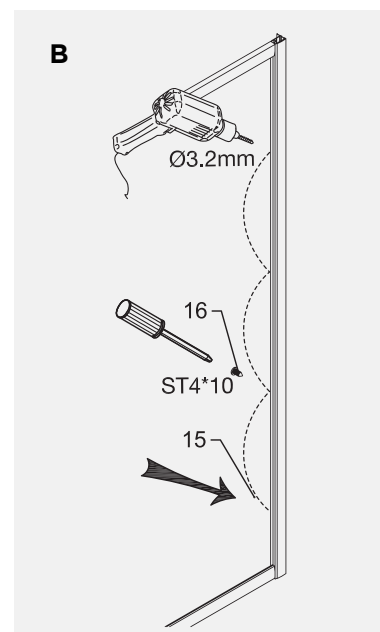


5



Plumb corner post and pack if required.

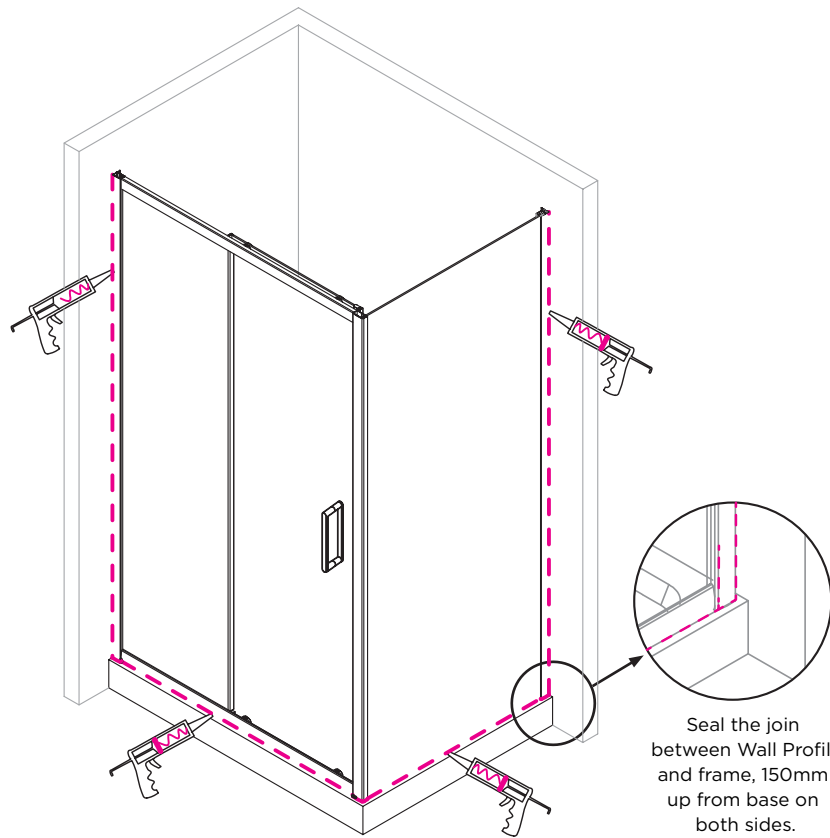
Connect door set to return panel. Drill and fasten at corner.



Adjust shower inwall profiles and square up door. Drill and fasten door frame to wall profile.

6

Apply silicone to join as indicated.

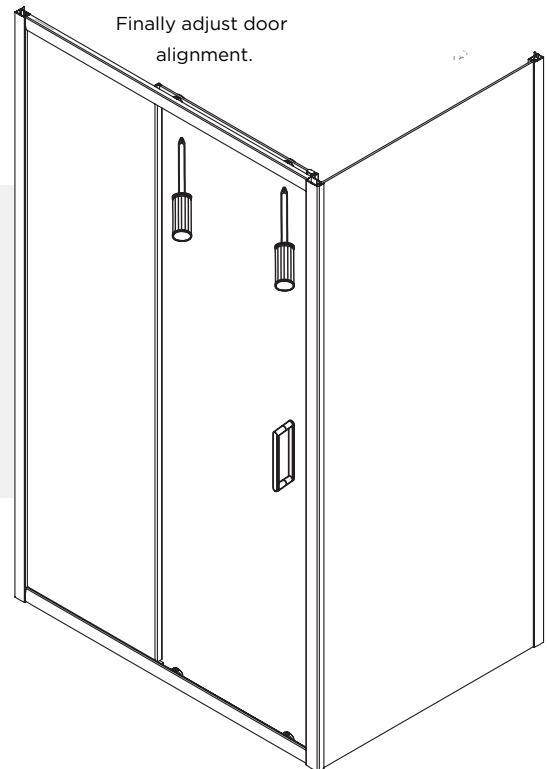


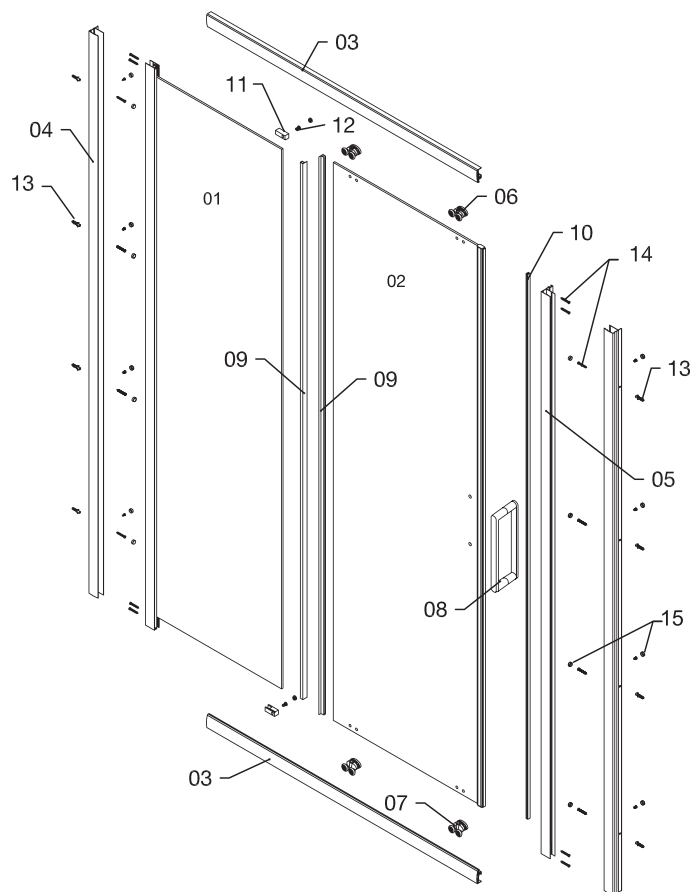
Seal the joint between Wall Profile and frame, 150mm up from base on both sides.

7

Finally adjust door alignment.

Allow 24 hours for silicone to dry before use.





COMPONENTS LIST

REFERENCE	DESCRIPTION	PART NUMBER	QUANTITY	
1	Fixed Glass Panels		1	
2			1	
3	Top & Bottom Rails Chrome	K6884	1	
	Top & Bottom Rails Chrome	K6891	1	
4	Wall Channel Chrome	K7126	1	
	Wall Channel White	K7133	1	
5	Door Set Frame		1	
6	Top Roller	K7072	2	
7	Bottom Roller	K6792	2	
8	Handle	H1263.CR	1	
9	Seal Set	K2257	2	
10	Magnetic Seal	K6938	1	
		K6945		
11	Glass Clamp		2	
12	Glass Clamp Screw ST 4*10	Screw Pack Chrome & White - K2301	2	
13	Wall Plug (Concrete)		8	
14	ST 4*35		16	
15	Screw Caps		20	
16	ST4*10			12

*Code for Replacement Screw Pack - 2 & 3 Sided Chrome & White

SHOWER TYPE

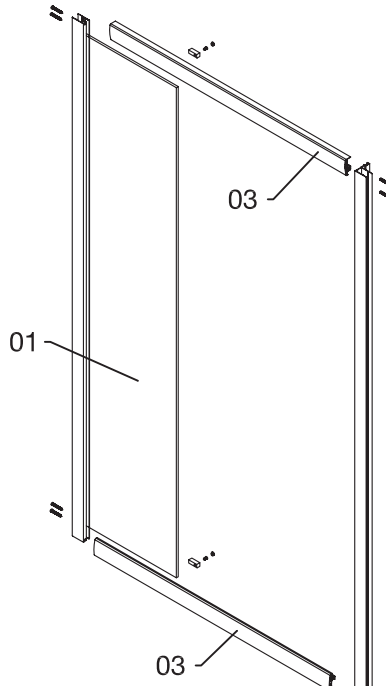
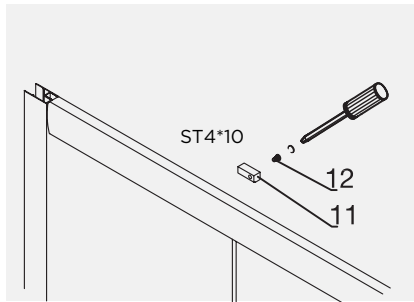
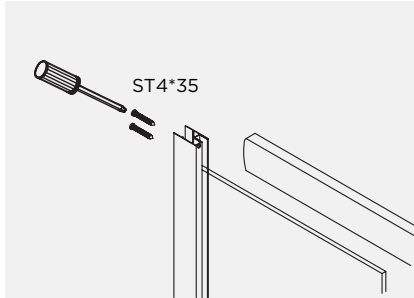
1200mm

WALL CHANNEL ADJUSTMENT

1155mm (minimum) to 1185mm (maximum)

Walls out of plumb will not allow for full minimum/maximum options.

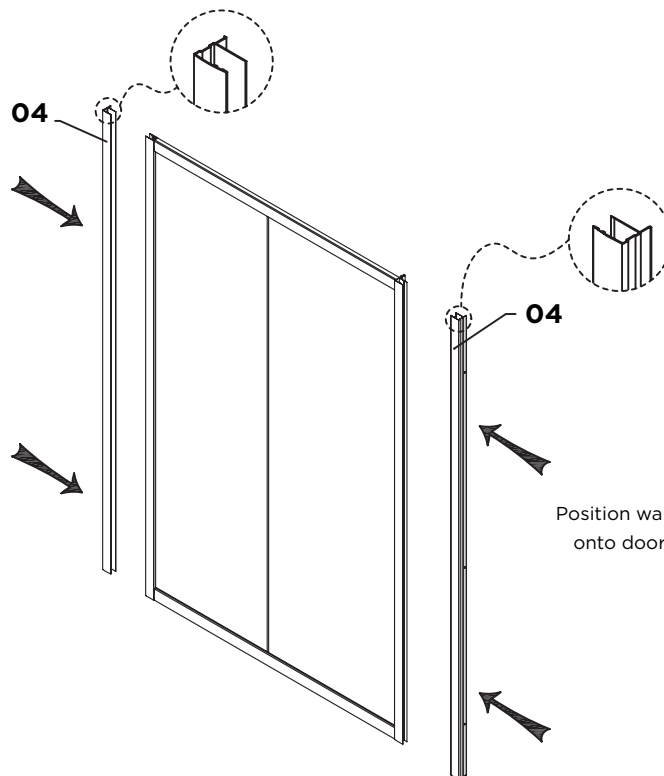
1 DOOR ASSEMBLY



Top & Bottom Rails (03). Fit with bump stops at fixed glass end.

Lorem ipsum dolor sit amet, consectetur adipiscing elit, sed

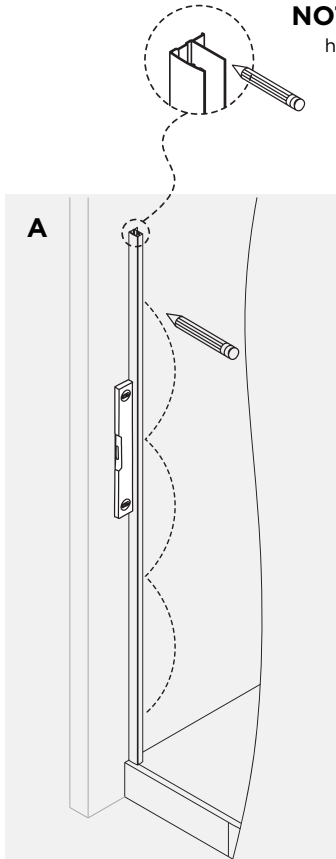
2



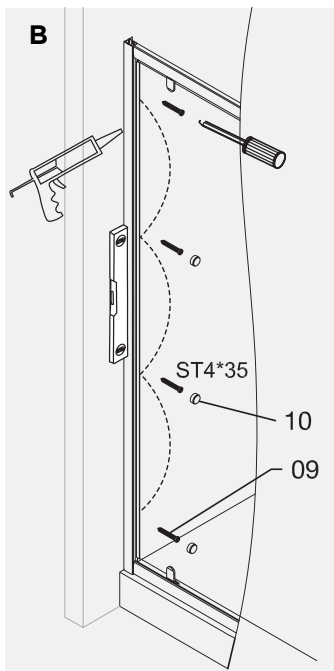
Position wall profiles onto door frame.

3

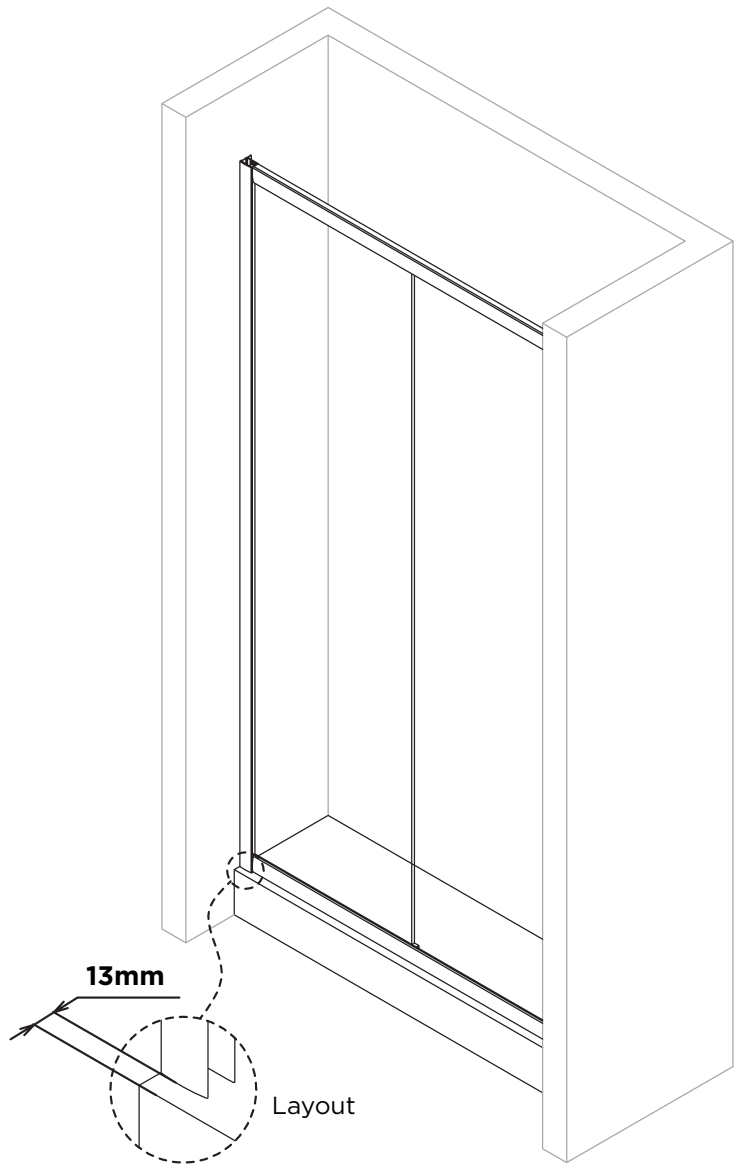
NOTE: Use Pivot Shower (p.10) has details required.



Mark wall profile holes both sides. Predrill liner with 2mm bit.

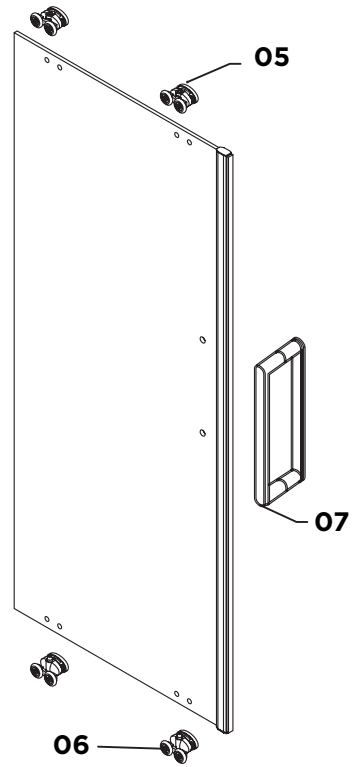
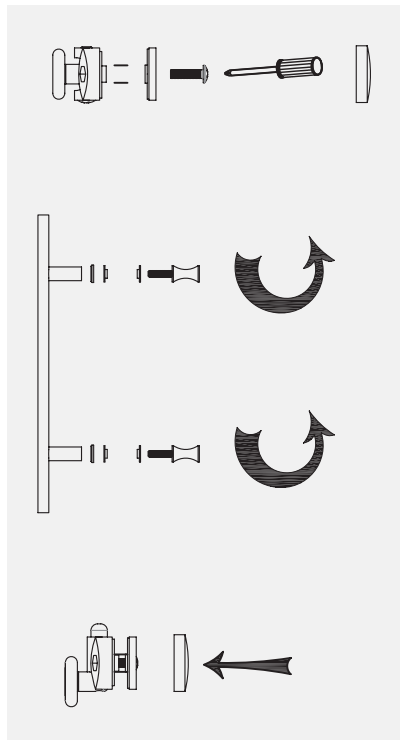


Fasten wall profiles.

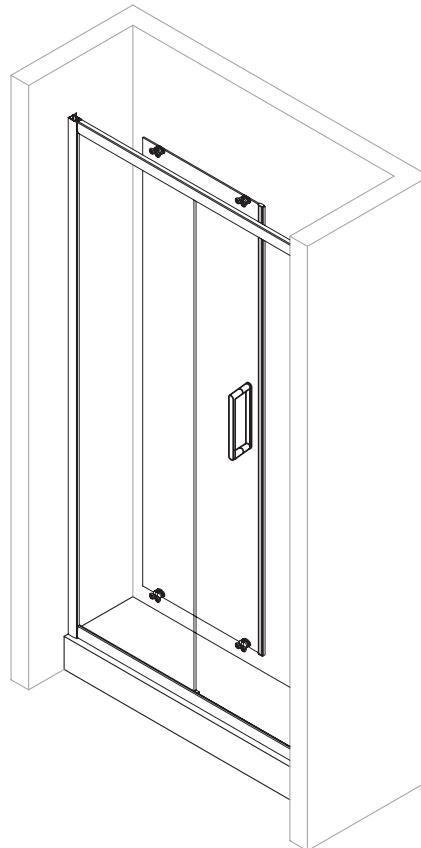
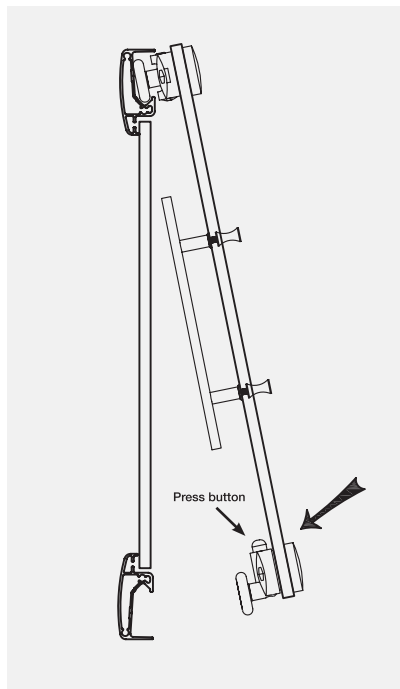


Silicone bead on back of wall channels prior to installation.

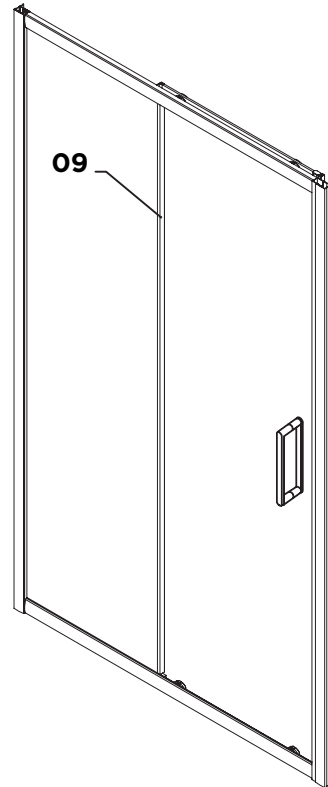
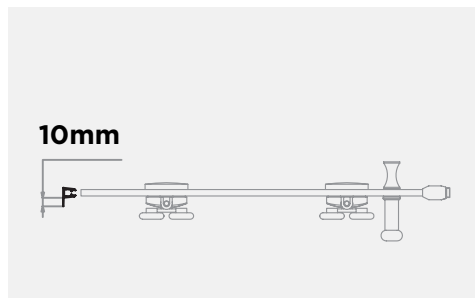
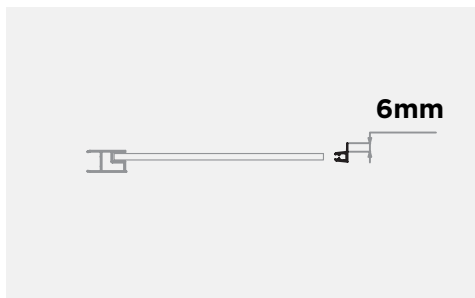
4 DOOR PARTS



5 DOOR INSTALLATION

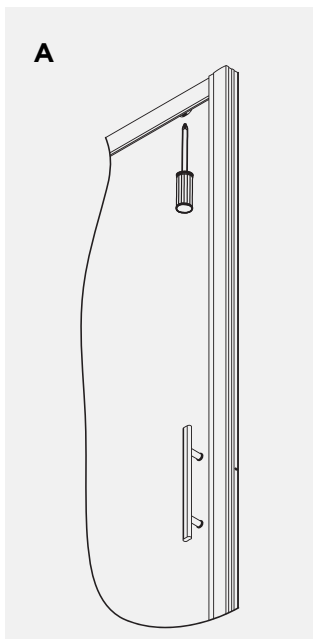


6 SEAL INSTALL

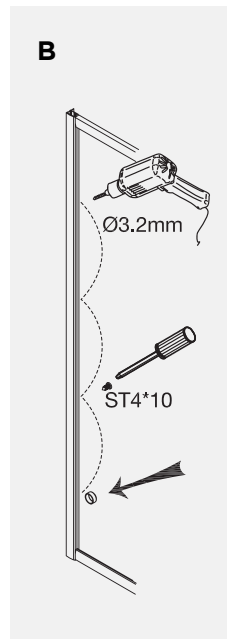


FITTING OF SEALS

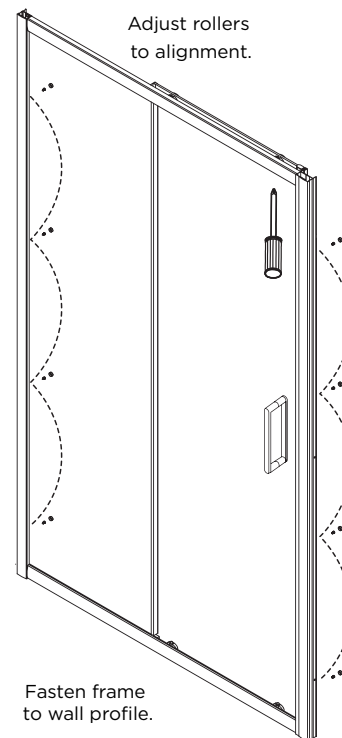
7



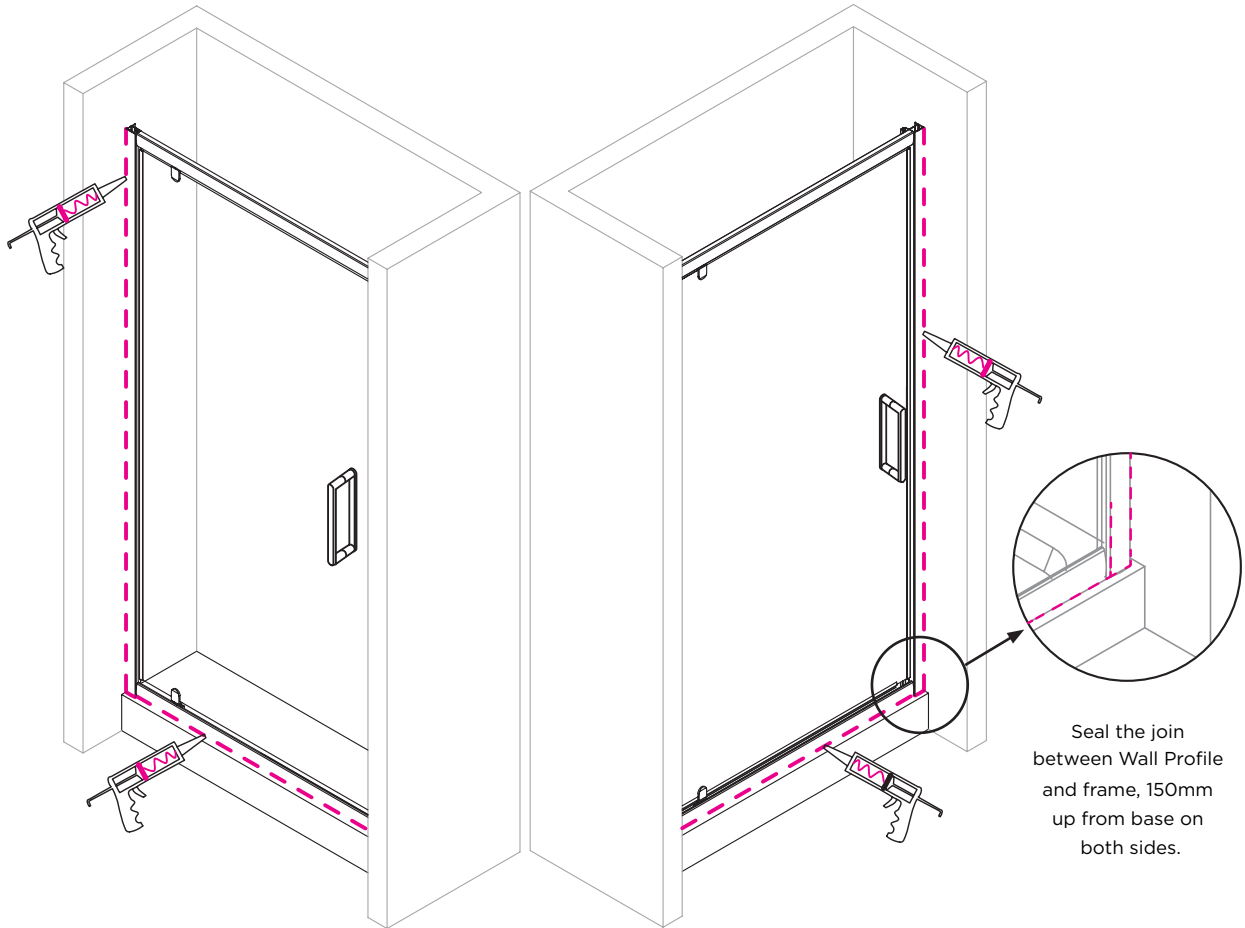
Adjust rollers but do not over tighten.



Align door frame within wall channels and square up door.



7 APPLY SILICONE TO OUTER JOIN AS INDICATED.



Allow 24 hours for silicone to dry before use.