

Alba Framed | Slider



*Protected and licensed under patent no. 529079)

PRODUCT FEATURES

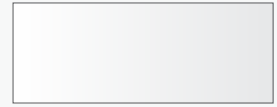
- 6mm Safety Glass (AS/NZ 2208)
- Flat Wall Liner
- Matte Satin Finish
- 1830mm High Door and Returns
- Centre Waste
- 5 Year Warranty

COLOUR OPTIONS



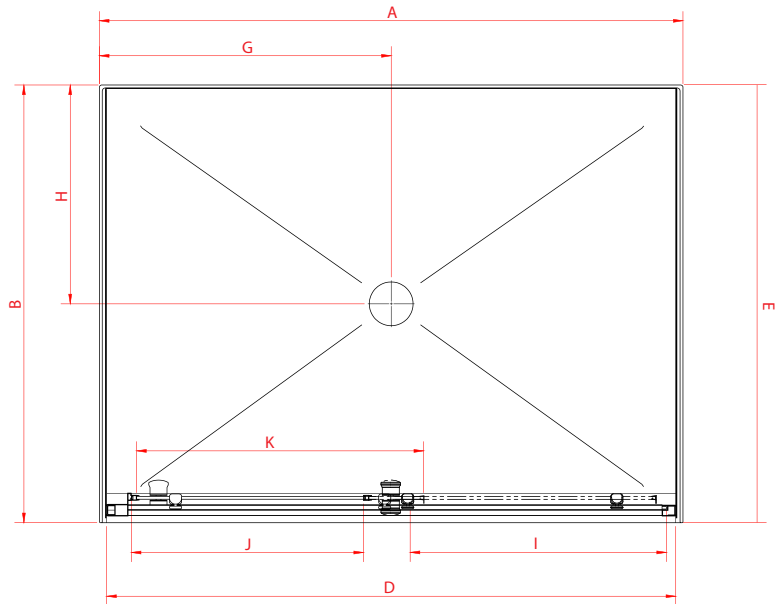
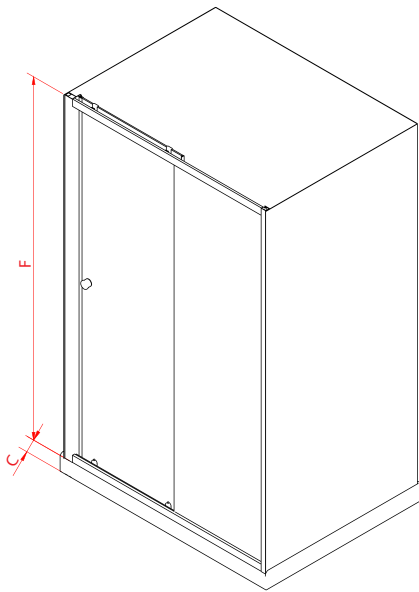
MATTESATIN

LINER OPTIONS



FLAT WALL

SPECIFICATIONS



DOOR x RETURN

TRAY

DOOR SET

WASTE

OPENING DOOR

| | A | B | C | D(+/-5) | E(+/-5) | F | G | H | I | J |
|------------|------|-----|----|---------|---------|------|-----|-----|-----|-----|
| 1200 x 900 | 1200 | 900 | 65 | 1175 | 875 | 1830 | 600 | 450 | 477 | 590 |

COMPONENT ONE: Door Set

CLASS: One

DESCRIPTION:

Alba Door Sets are used in conjunction with acrylic trays and linings to create a full shower enclosure. Doors are all manufactured from safety glass (NZ Standards AS/NZS 2208) with aluminum framing, and may include components of other hardware, including, but not limited to, handles, hinges, and clips.

Alba door sets have variations suitable for use in acrylic shower enclosures. They are available in a range of standard sizes from 900mm up to 1200mm, and have custom options. Door sets are also available in different screen heights, from 1830mm up to 2000mm. Hardware colour options include chrome and black.

CONTRIBUTIONS TO COMPLIANCE

B2.3.1 (c) (i),(ii) & B2.2.2 (b): AlbaDoor Sets have a warranted durability of 5 years, when maintenance standards are adhered to. Door sets are installed as components of a building system and can be replaced without removing building elements that have greater durability. Refer to installation guides for further information.

E3.3.5: Alba Door Sets are likely to be splashed throughout the intended use of the building. Door sets are impervious. Seals should be fitted correctly to ensure water tightness, refer to installation guides for more information.

SCOPE OF USE

Alba door sets are intended for use in the following environments:

- Domestic and commercial bathrooms, including residential homes, government housing, hotels, and apartments.
- Suitable for use with cold and warm water.
- Compatible with acrylic trays and linings, floors and walls that meet installation requirements outlined in relevant installation guides.
- Check door height before installation. Screen heights compatible with standard stud height, but this should be checked prior to installation.

CONDITIONS OF USE

Alba door sets are intended for use in the following environments:

- Alba door sets are intended for use under regulated water pressure and temperature that does not exceed 55 degrees Celsius, have heavy mineral loadings, geothermal qualities, or pH imbalance.
- Working parts and PVC seal durability is not included in door set durability period according to B2.2.2 (b). All working parts and PVC seals carry a 12-month warranty.
- Water leakage will occur in frameless glass showers if the shower rose is pointed directly at the door. An acrylic seal package will help to prevent water spillage.
- Must be installed in accordance with Alba Installation Manual.
- Cleaning products including bleaches, solvents, alcohol, citrus based chemicals, bath oils, and/or any abrasive cleaner shouldn't be used.
- Should be installed by an experienced shower installer or tradesman to ensure best outcome.

WARNINGS AND BANS

This product is not subject to warning or bans under section 26 of the Building Act 2004.

COMPONENT TWO: Standard Profile Tray

CLASS: One

DESCRIPTION:

Alba acrylic shower trays are made using heavy duty reinforced fiberglass acrylic. Standard profile trays are 65mm high featuring a 30mm upstand. When installed, the wall lining comes down over the upstand, forming a waterproof seal with no visible silicone in the shower.

Alba acrylic trays are suitable for use in 2-Sided and Curved shower enclosures. They are available in a range of standard sizes which are unable to be customised.

CONTRIBUTIONS TO COMPLIANCE

B2.3.1 (c) (i) and (ii) & B2.3.2 (b): Alba Acrylic Trays have a warranted durability of 5 years when maintenance standards are adhered to. Trays are installed as components of a building system and can be replaced without removing building elements that have greater durability. Refer to installation guides and Aftercare Document for further information.

G1.1 (a) and G1.3.2: Alba Acrylic Trays are made from easy clean, anti-slip acrylic. Regular cleaning routines to maintain hygienic standards are required. Trays have adequate disposal via waste outlets, refer to installation manual for further information.

E3.3.2 and 3.3.5 and 3.3.6: Alba acrylic trays are designed with adequate fall to dispose of water through the waste outlet. Made from easy clean, sanitary acrylic, standard profile trays feature a 30mm upstand, over which the liner protrudes to form a waterproof seal.

SCOPE OF USE

Alba acrylic trays are intended for use in the following environments:

- Domestic and commercial bathrooms, including homes, government housing, hotels, apartments.
- Suitable for use with cold and warm water.
- Used on a level floor surface prepared as per installation instructions.

CONDITIONS OF USE

Alba acrylic trays are intended for use in the following environments:

- Alba acrylic trays are intended for use under regulated water temperature that does not exceed 55 degrees Celsius.
- Must be installed in accordance with Alba Installation Manual.
- Cleaning products including bleaches, solvents, alcohol, citrus based chemicals, bath oils, and/or any abrasive cleaner shouldn't be used.
- Should be installed by an experienced shower installer or tradesman to ensure best outcome.

WARNINGS AND BANS

This product is not subject to warning or bans under section 26 of the Building Act 2004.

COMPONENT THREE: Acrylic Liner

CLASS: One

DESCRIPTION:

Alba Acrylic Liners are a form folded one piece lining with no joins, made from high gloss, stress resistant antibacterial acrylic.

Acrylic liners are suitable for use in 2-Sided and Alcove configurations. They are available in a range of standard sizes from 900mm to 1200mm, and standard heights from 1830mm to 2000mm. Acrylic liners come with a flat wall only.

CONTRIBUTIONS TO COMPLIANCE

B2.3.1 (c) (i) and (ii) & B2.3.2 (b): Alba Acrylic Liners have a warranted durability of 5 years when maintenance standards are adhered to. Liners are installed as components of a shower enclosure and can be replaced without removing building elements that have greater durability. Refer to installation guides for more information.

G1.1 (a) and G1.3.2: Alba Acrylic Liners are made from easy clean acrylic. Regular cleaning routines to maintain hygienic standards are required.

E3.3.4 and E3.3.6: Alba Acrylic Liners prevent water from entering wall cavities and causing structural damage, maintaining a durable barrier against dampness and potential mold growth. Acrylic liners extend past the acrylic tray upstand, forming a waterproof seal and meaning there is no provision for water to flow into concealed spaces behind the lining.

SCOPE OF USE

Alba acrylic liners are intended for use in the following environments:

- Domestic and commercial bathrooms, including residential homes, government housing, hotels, and apartments.
- Suitable for use with cold and warm water.
- Used on wall framing that has been prepared correctly as per installation instructions.

CONDITIONS OF USE

Alba acrylic liners are intended for use in the following environments:

- Alba acrylic liners are intended for use under regulated water temperature that does not exceed 55 degrees Celsius.
- Must be installed in accordance with Alba Installation Manual.
- Cleaning products including bleaches, solvents, alcohol, citrus based chemicals, bath oils, and/or any abrasive cleaner shouldn't be used.
- Should be installed by an experienced shower installer or tradesman to ensure best outcome.

WARNINGS AND BANS

This product is not subject to warning or bans under section 26 of the Building Act 2004.

CONTACT DETAILS

Legal and Trading Name of Manufacturer: [ICQC Ltd](#)

Importer Address for Service: [Mitre 10 NZ Ltd](#), 67 Corinthian Drive, Auckland, NZ 0745

Importer Website: www.mitre10.co.nz

SUPPORTING DOCUMENTATION

The following additional documentation supports the above statements:

[Warranty Information](#)

[Alba Framed Slider Instruction Manual](#)