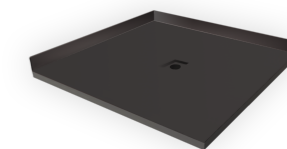


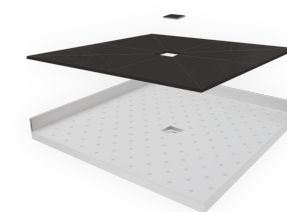
Tray Options:



PureWhite (Gloss White)



GraphiteBlack (Matte Black)

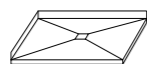


TileOver

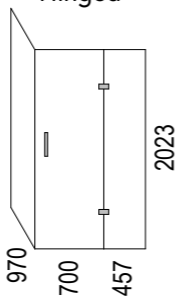
Note: Verify exact shower base dimensions on site

Screen Options:

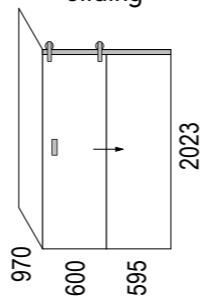
Tray Only (No Screen)



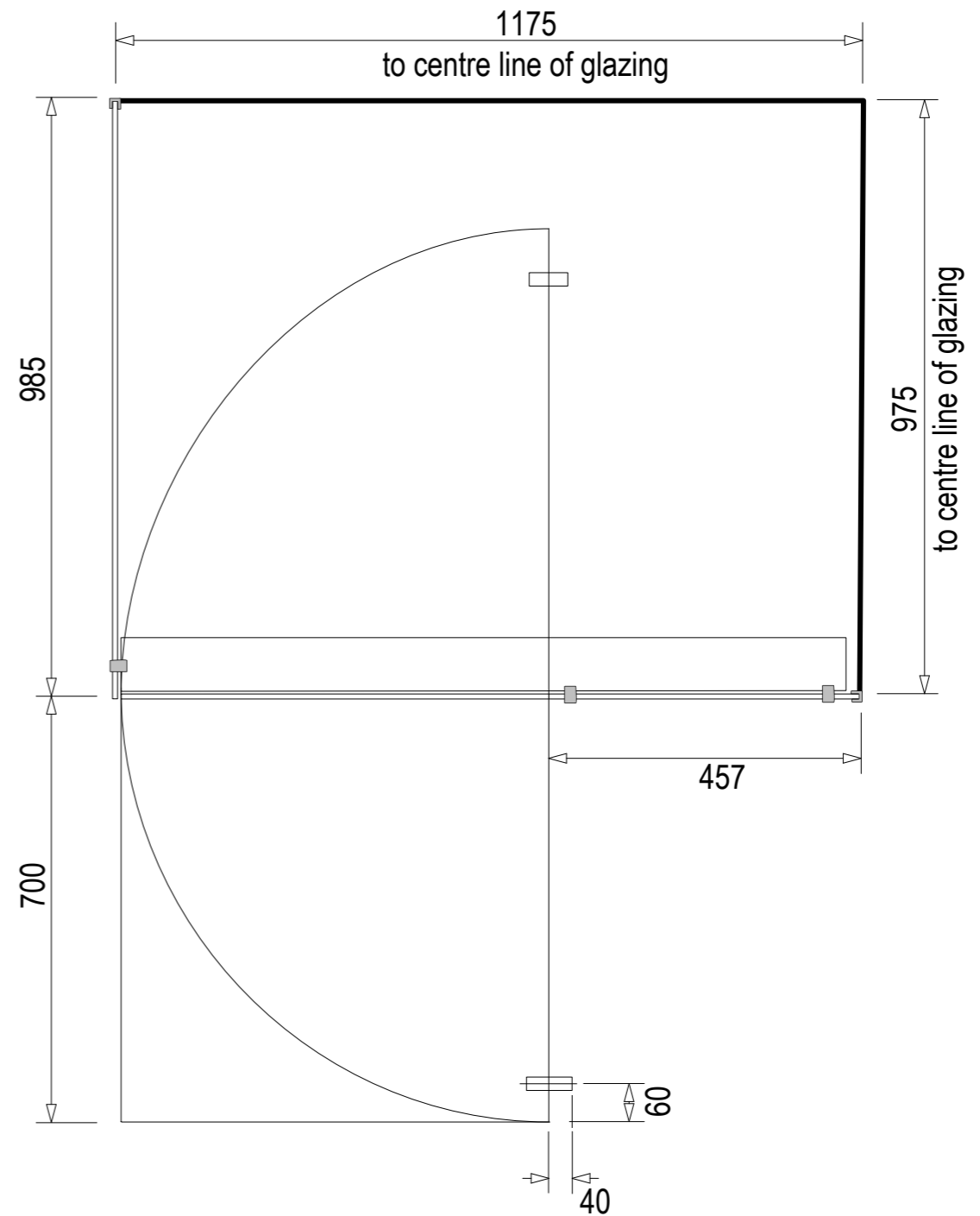
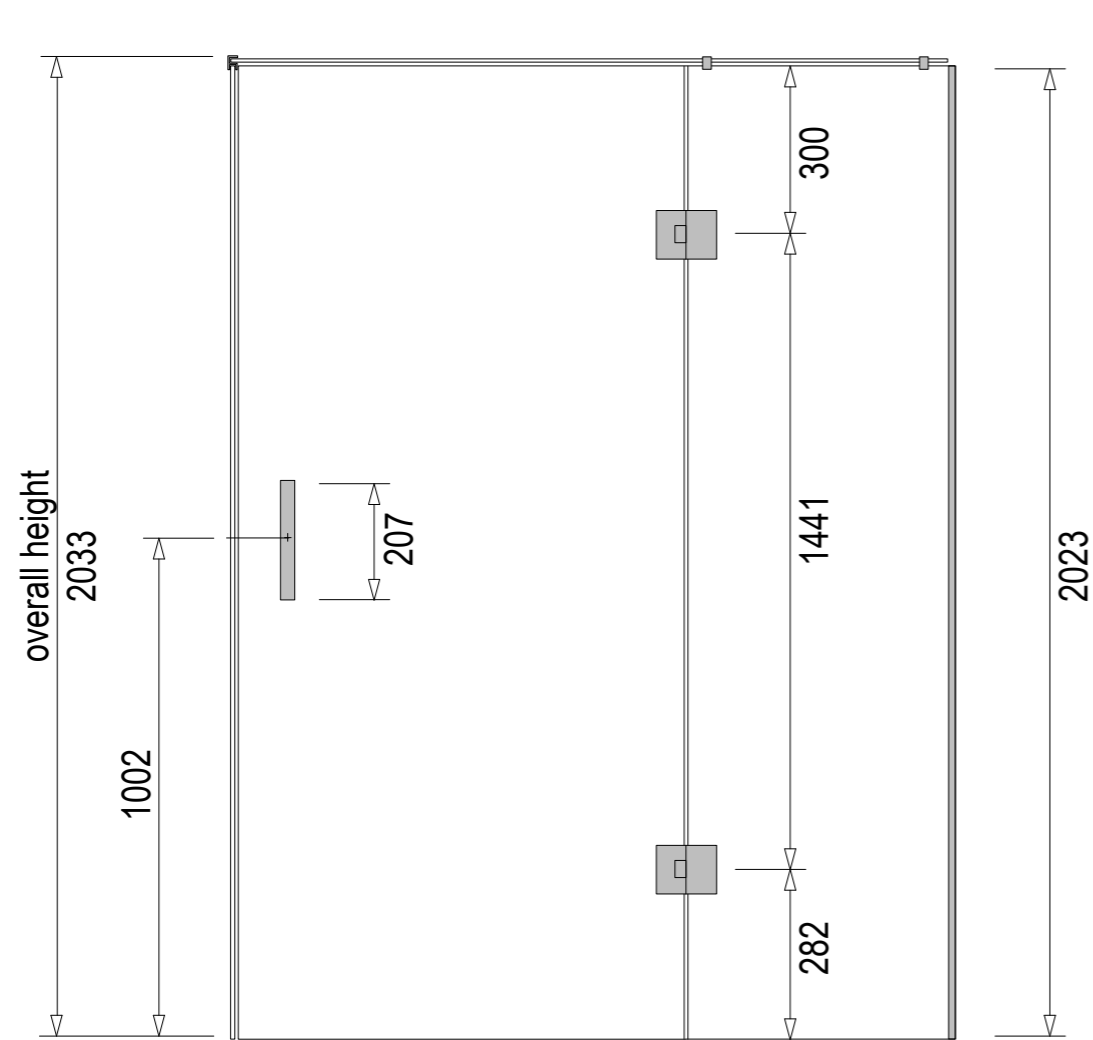
Hinged



Sliding



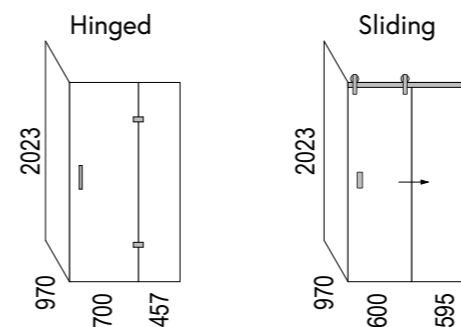
For more information visit www.mitre10.co.nz



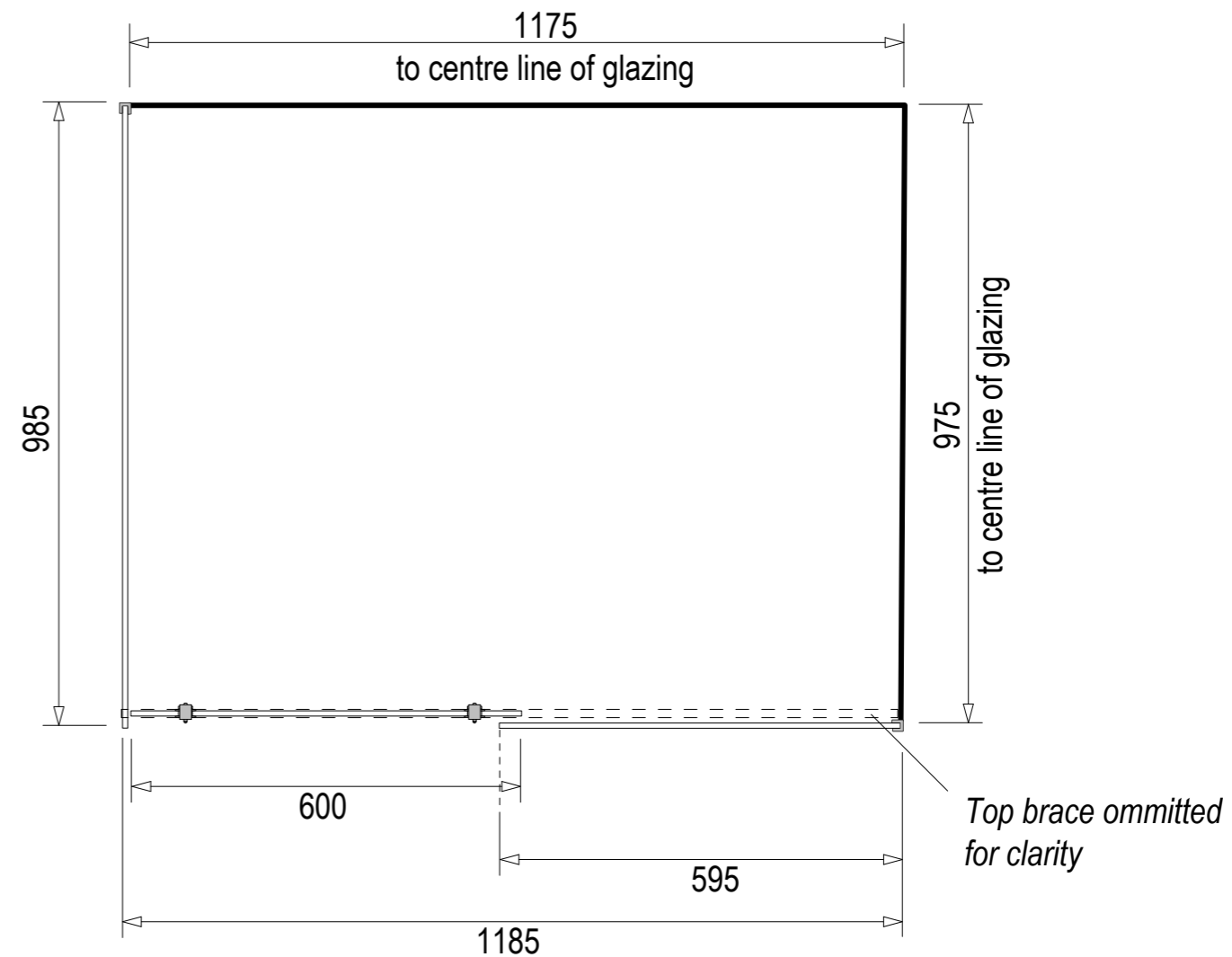
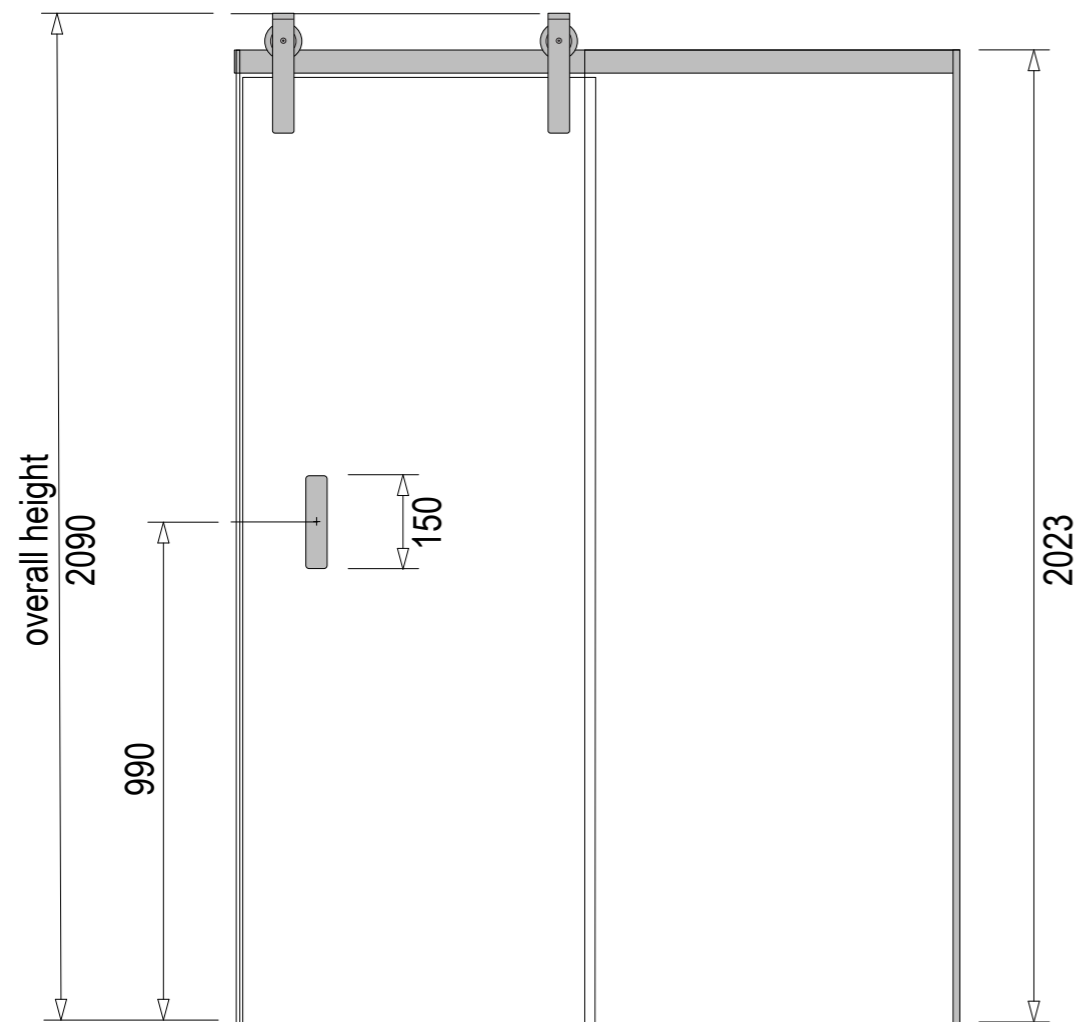
Screen Specifications & Components:

- 3x 8mm Toughened **CristalVision™** Nano-Coated Screens @ 2023 high
- 2x Wall Glazing Channels @ 2023mm high
- 1x 6mm Toughened Glass Top Brace @ 100mm wide
- 4x Top Brace Blocks
- 2x Adjustable self-centering 180° Hinges
- 1x Handle set @ 207mm high (192mm hole centres)
- 1x Sill Kit (more info on following pages)

Options in this size:



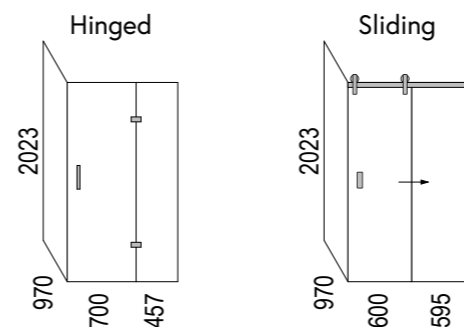
For more information
visit www.mitre10.co.nz



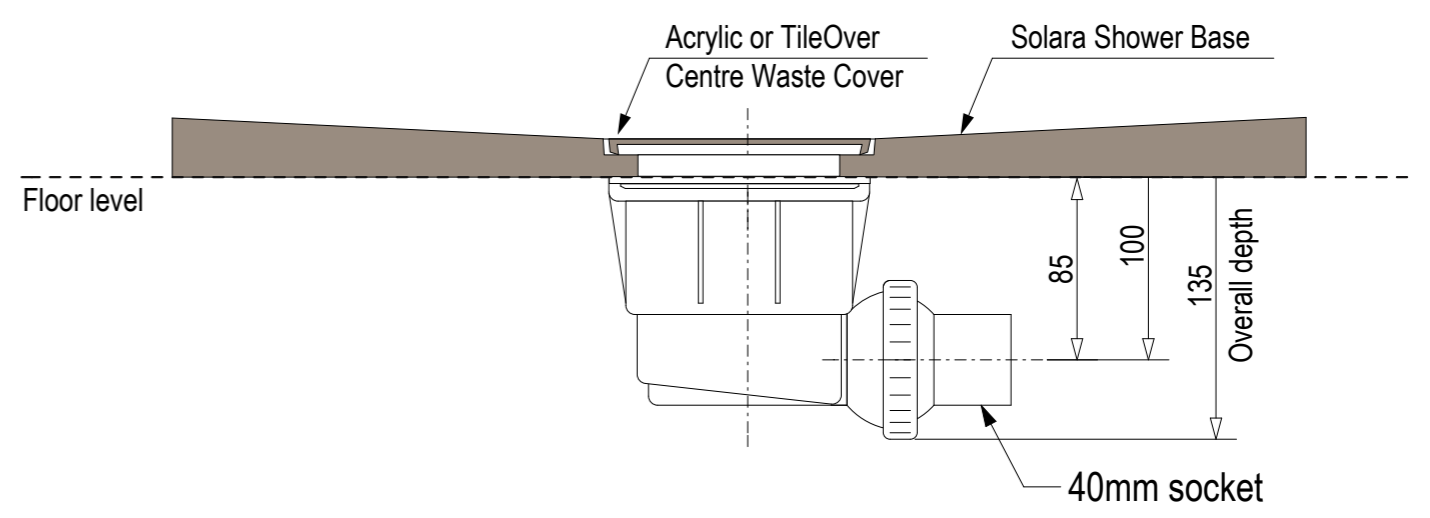
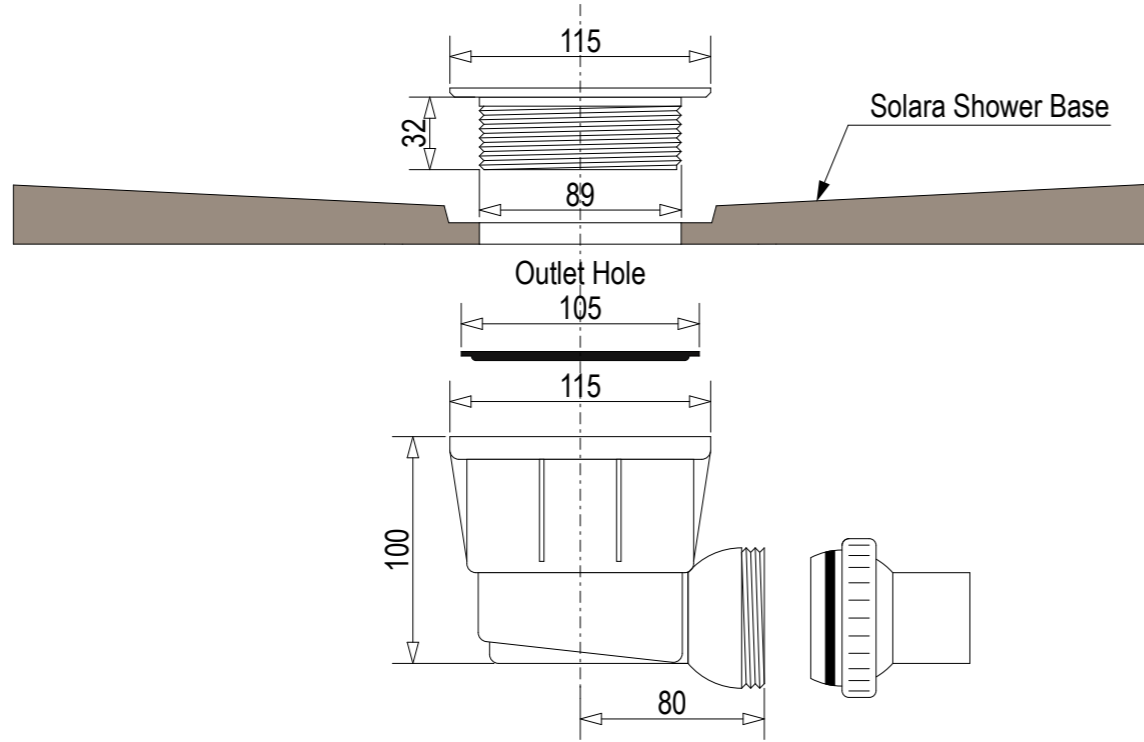
Screen Specifications & Components:

- 3x 8mm Toughened **CristalVision™** Nano-Coated Screens @ 2023 high
- 2x Wall Glazing Channels @ 2023mm high
- 1x Stainless Steel Sliding Top Brace
- 2x Top Brace Blocks
- 2x Solara 'Barn Door' Sliding Rollers
- 1x Solara Handle set
- 1x Sill Kit (more info on following pages)

Options in this size:



For more information
visit www.mitre10.co.nz



Ensure a minimum recess size of 250mm wide x 250mm long x 150mm deep for the waste outlet

