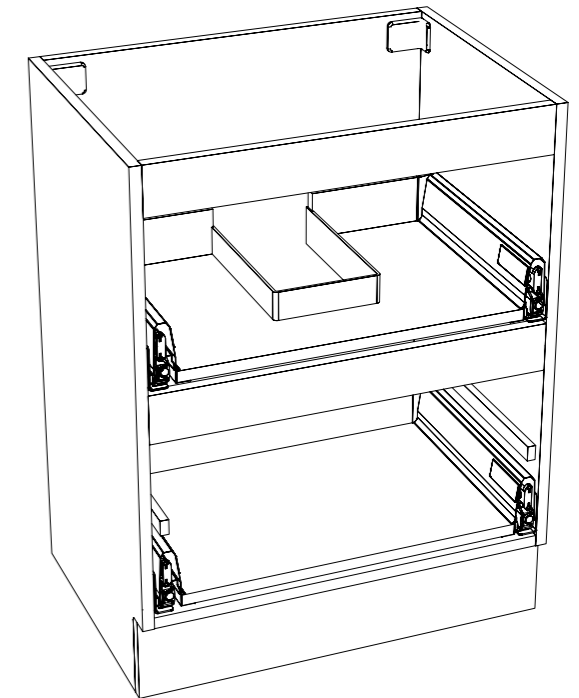


### Floor Vanity Drawer Unit

Assembly Instructions

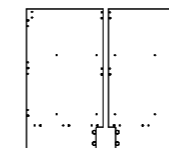
Suitable for:

600mm / 750mm / 900mm  
Floor Vanity Drawer units



Bathroom  
Panels  
included.

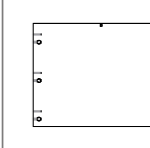
SIDE PANELS  
(2)



BACK PANEL  
(1)



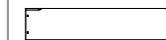
BASE PANEL  
(1)



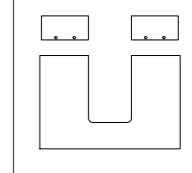
RAIL PANELS  
(2)



TOE KICK (1)

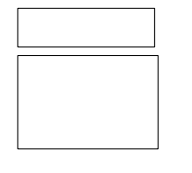


TOP DRAWER



Base (1), Backs (2)

BASE DRAWER



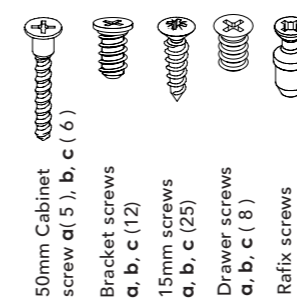
Base (1), Back (1)

HÄFELE  
Hardware  
included.

Legend

a= 600mm  
b= 750mm  
c= 900mm

SCREWS



MINIFIX CAMS  
a, b, c (16)



MINIFIX  
DOWELS  
a, b, c (16)

DOWELS  
a, b, c (18)

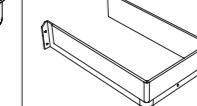


RAFIX  
SLEEVE  
a, b, c (4)

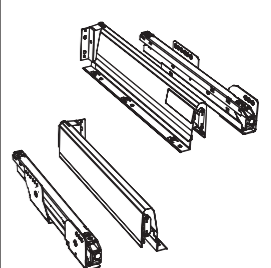
BRACKET & COVER  
a, b, c (2 ea)



SURROUND a,b,c  
(1)

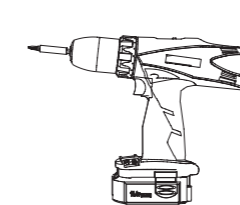


DRAWER SETS a, b, c  
(2 ea) (includes hardware)

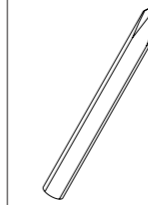


Required  
Tools.

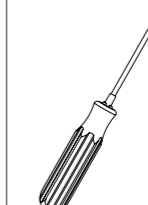
POWER DRILL



PZ2 BIT



SCREWDRIVER

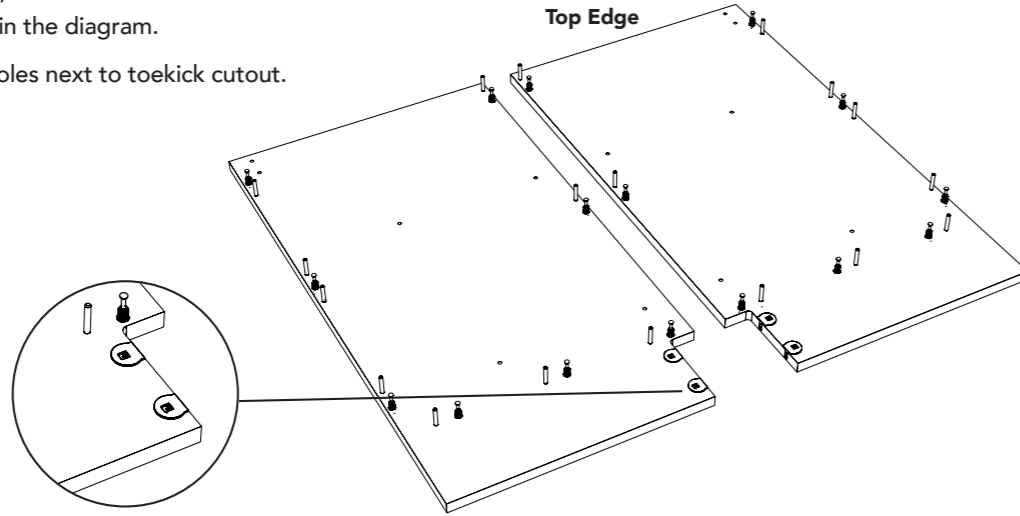
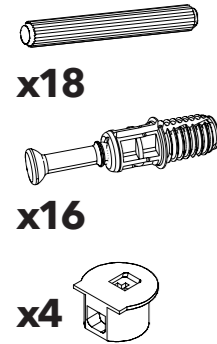


**Handy Note:** Please read the instructions carefully before you start and make sure to identify the parts you need for each step. When assembling it is best to do on a soft surface to prevent damage. **Your Connex 15 Year Home Use Warranty will not apply to incorrectly assembled and/or installed product. Follow the advice of your selected wall fixings (sold separately) to ensure your product is supported once loaded.**



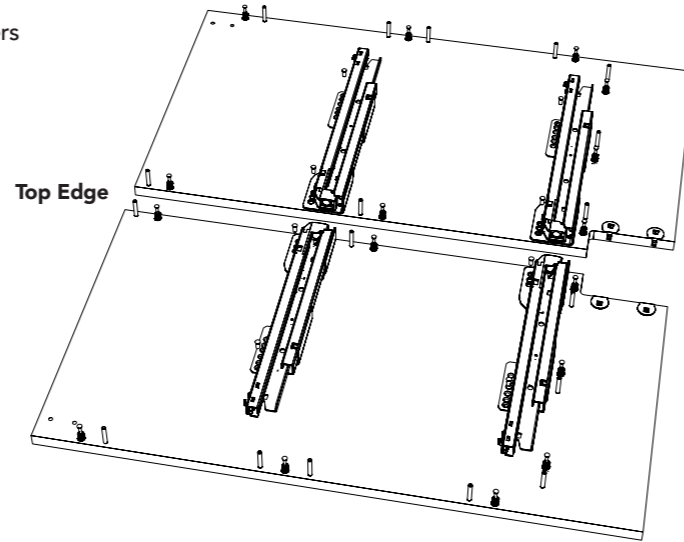
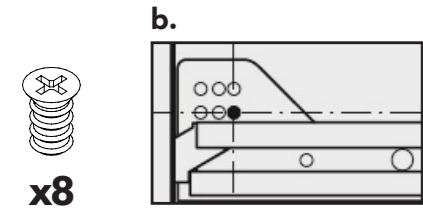
# 1. Insert Dowels & Rafix Sleeves into Side Panels.

- a. Lay the panels down on a flat surface, insert the dowels and mini fix dowels into the correct holes as shown in the diagram.
- b. Insert Rafix Sleeves into pre-drilled holes next to toekick cutout.



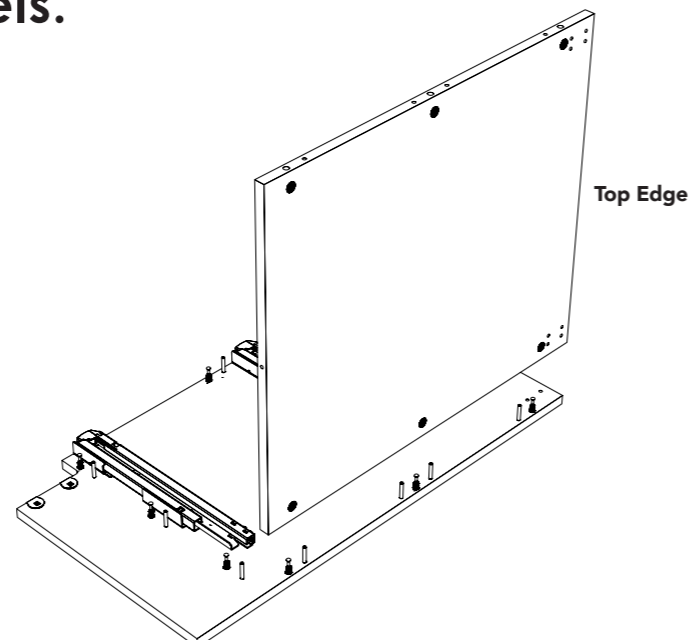
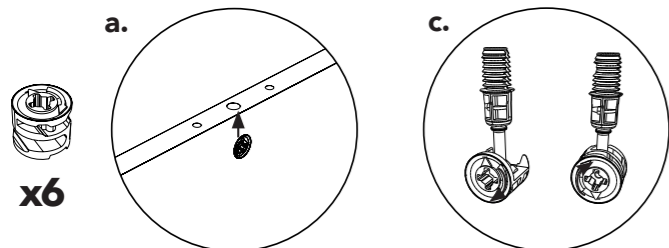
# 2. Fix the Runners to the Side Panels.

- a. Use the pre-drilled holes and drawer screws to fix the drawer runners to the side panels. Ensuring correct orientation as pictured.
- b. Line up the front hole on the side panel to the third hole of each runner



# 3. Fix Back Panel to Side Panels.

- a. Insert the cams into the back panel, with the triangle on the cam pointing towards the adjacent hole.
- b. Fit the back panel to a side panel as shown. Ensure back panel cams are facing outwards
- c. Lock cams using a screwdriver, turning clockwise:



# 11. Floor Installation.

## Required Tools.



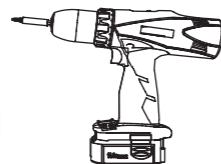
TAPE MEASURE



PENCIL



LEVEL



POWER DRILL



DRILL BIT



HOLE SAW

1) Before assembling Connex Vanity cabinets, identify installation location. Check for wall studs & nogs, and mark the locations on the wall. Consider desired height of basin or top-mounted vessel, and benchtop material height, if applicable. Ensure clear access above taps and note any potential issues with clearance e.g. protruding windowsills or mirror cabinets. Measure the desired width of your Connex Vanity cabinets and check doors and drawers will have clearance to open. Mark the installation location on your wall (height & width of Connex cabinets).

a. If tiling wall, complete tiling before installation of Connex Vanity cabinets.

b. Ensure installation location is not directly exposed to water or moisture. The Connex Vanity range is moisture resistant but not waterproof. Cutouts for plumbing will expose a raw edge of the cabinet material.

2) Measure the location of plumbing or electrical services, if applicable. Check the services location will not be too close to your Connex Vanity side panel (recommended distance from outside edges of back panel is at least 50mm inwards). Handy tip: Use paper or card to make a cutting template. Insert image with 50mm measurement on back panel.

3) Assemble Connex Vanity cabinets. If connecting 3 or more cabinets together, it is recommended to install them separately, and join the cabinets once fixed in place. After fitting drawers, bin, doors and shelves, remove them for installing cabinets in place. Handy Tip: Use pencil to mark which drawers/doors etc. belong to each cabinet, and drawer locations.

4) Ensure installation location wall is plumb and straight. The Connex Vanity system does not allow for scribing of panels on out-of-plumb walls. Check flooring is level & able to support cabinet weight. Use flooring compound to ensure flooring is level if needed.

5) Use plumbing template to mark service cutout locations on Connex Vanity cabinet back panel. Cut out holes for services. When using a hole saw, it is recommended to not bore the entire way through as this will chip the inside edges. Instead, once the pilot bit has broken through, use this hole to bore from the inside of the cabinet to reduce chipping.

6) Place vanity cabinet in installation location.

7) Fix vanity cabinet to wall studs and nogs. Use appropriate screws e.g. 8-14 gauge x75mm to secure cabinet. For increased security, fix screws through corner support brackets into wall stud or nog.

8) Install chosen basin or benchtop + vessel, and tapware. See supplier's installation instructions for these products.

9) Replace drawers, door fronts and shelves into vanity cabinets. Adjust as needed. Install handles (if required). Handles and handle template sold separately.

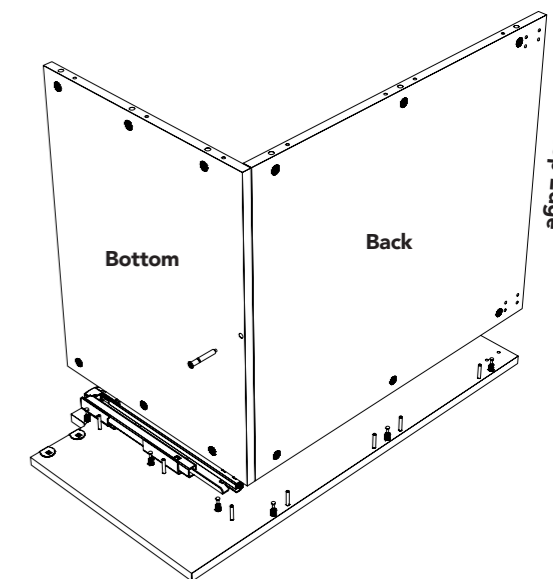
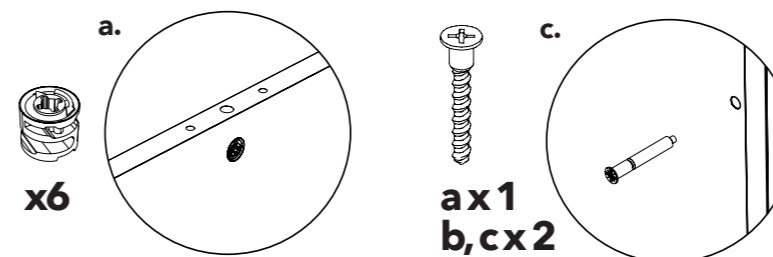
# 4. Fix Base Panel.

a. Insert the cams into the base panel, with the triangle on the cam pointing towards the adjacent hole.

b. Fit the base panel to the back and side panels as shown.

c. Lock cams using a screwdriver, turning clockwise.

d. Fix the base panel to the back panel using supplied 50mm cabinet screw.

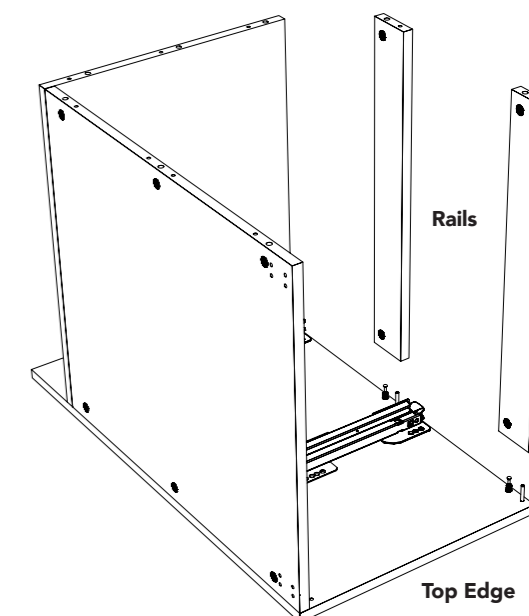
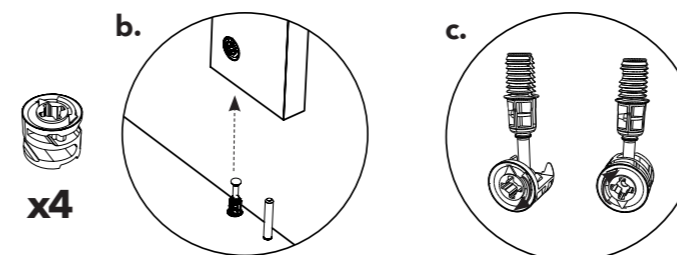


# 5. Fix the Rails onto Side Panel.

a. Insert the cams into the rail panels, with the triangle on the cam pointing towards the adjacent hole.

b. Fit the rails to the side panel as shown.

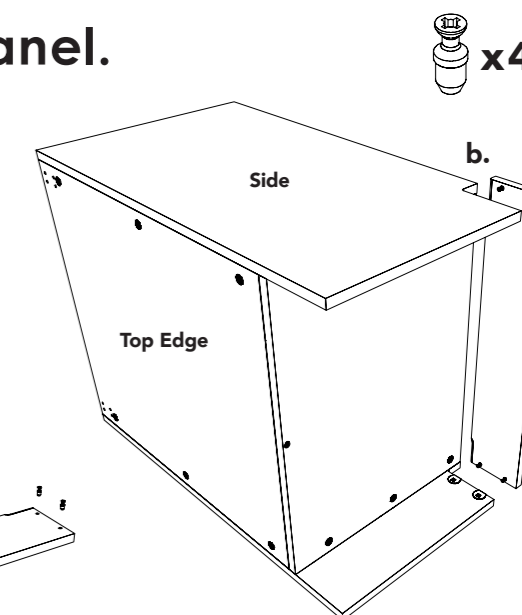
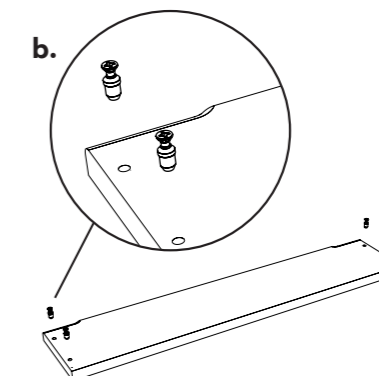
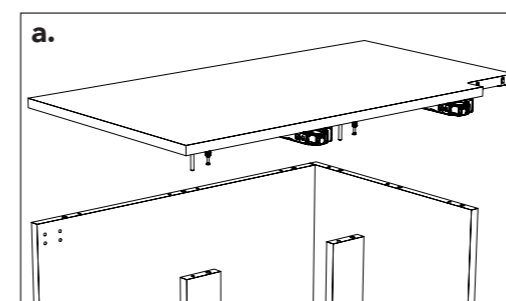
c. Lock cams using a screwdriver, turning clockwise:



# 6. Fix remaining Side & Toekick Panel.

a. Align the dowels on the side panel with the back, base and rail panels as shown. Push panels together. Lock all remaining cams using a screwdriver, turning clockwise.

b. Insert rafix screws into toekick panel. Press toekick onto Rafix sleeves.

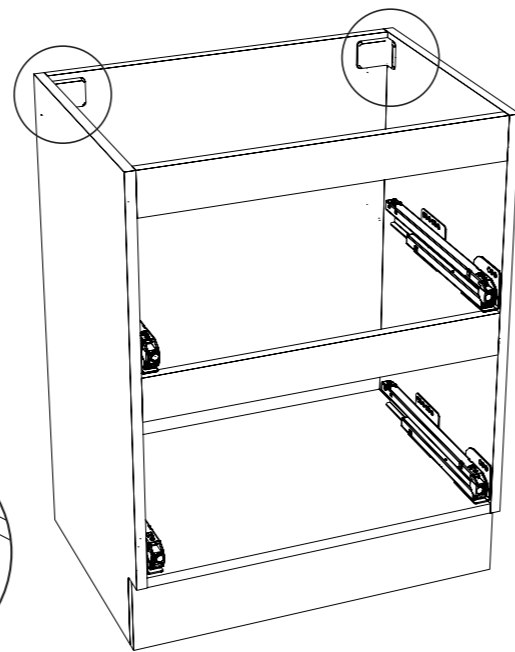
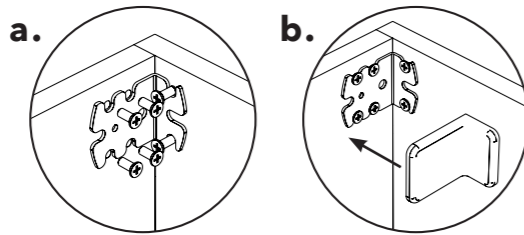
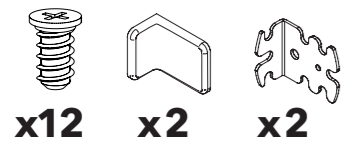


## 7. Fixing the Support Brackets.

a. Using the supplied screws, fit the support brackets to the back and side panels as shown.

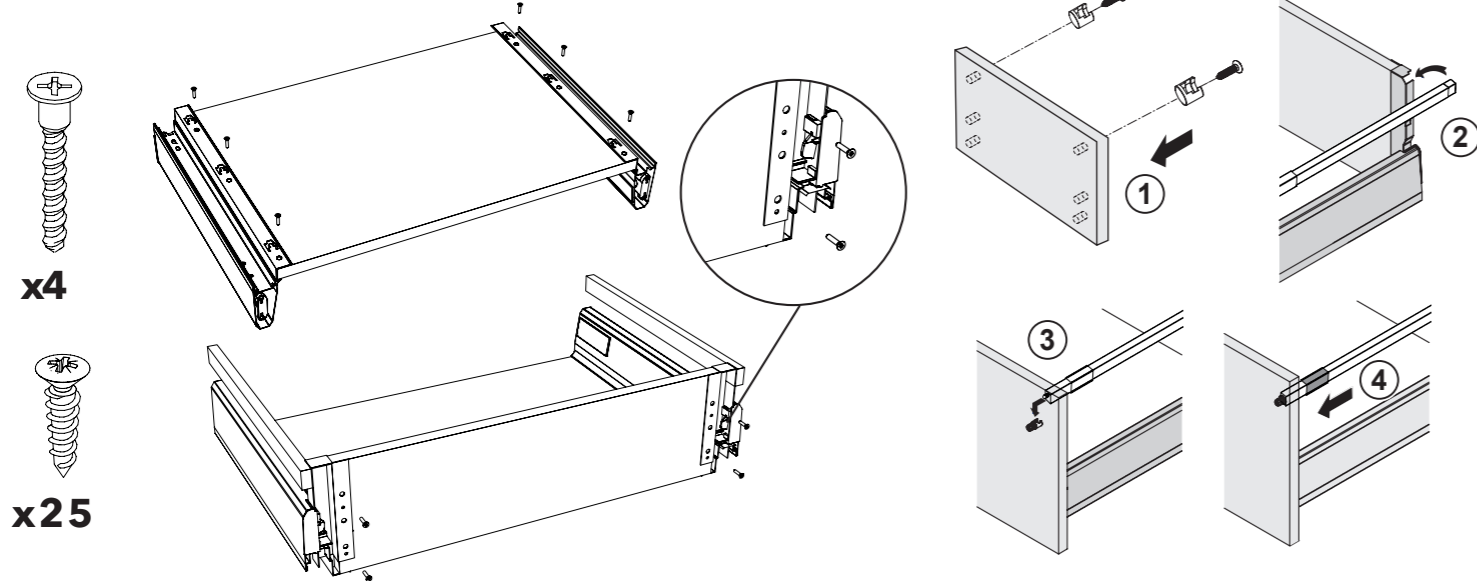
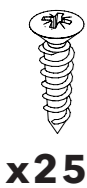
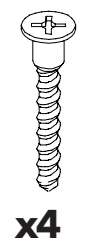
**Tip:** Loosely fasten the lower 2 screws in the back panels to locate the brackets. Then fit the remaining 8 screws in the side and back panels, and tighten all screws.

b. Press the bracket covers onto the brackets.

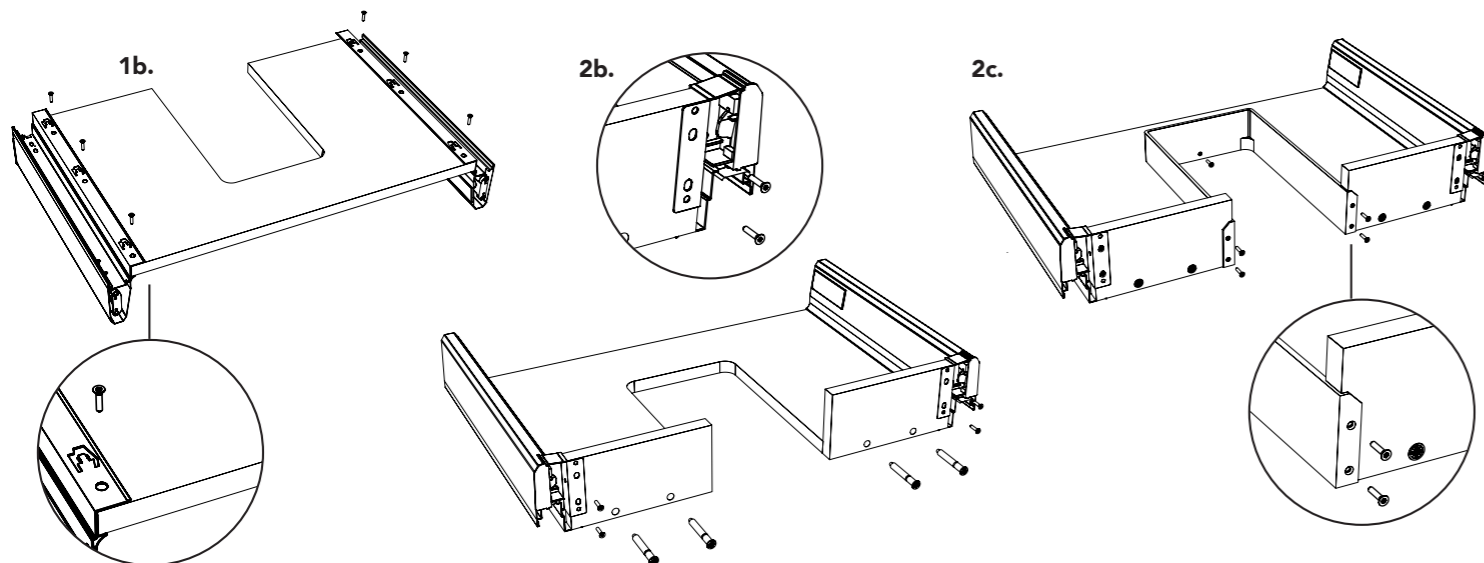


## 8. Assemble the Drawers.

a. Slide the drawer sides onto drawer base, and fix with screws.



b. Attach drawer back and waste surround insert as shown. Fix with screws.

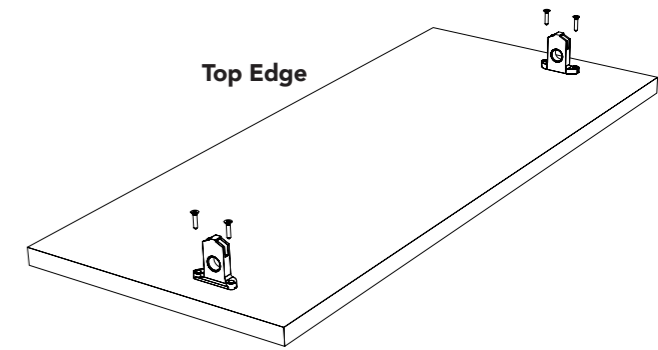


## 9. Installing the Drawer Front.

a. Using a screw driver, fit the drawer front mounting clips onto the drawer front panel (sold separately) with supplied 16mm screws.

b. Use prick marks on the back of the drawer front as a location guide.

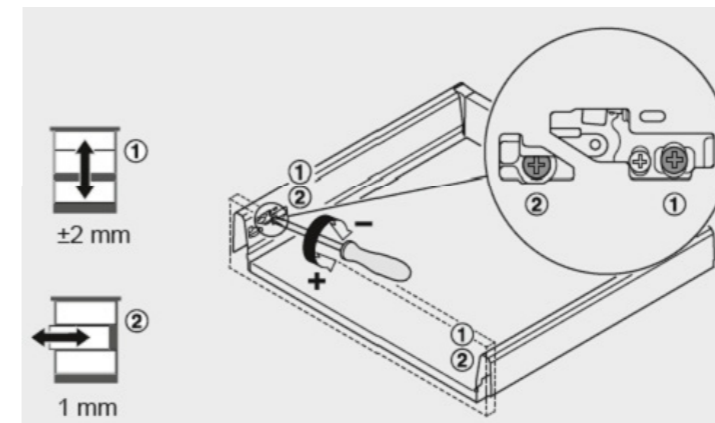
c. Align the drawer front clips with the ends of the drawer sides and press until the front clips in.



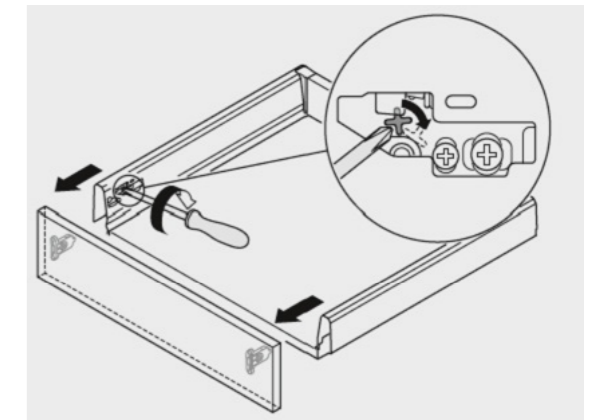
**Note:** Install handles after fixing vanity cabinets to wall, and adjusting drawers. Handle template sold separately.

## 10. Insert and Adjust the Drawers.

a. Insert and adjust drawers as shown below.



Convenient height and side adjustment from above when installed



Front Panel Removal

b. Pull drawer runners out halfway from cabinet, then gently push drawer onto runners until drawer clips in. To remove drawer, extend drawer on runners and lift up. Use adjustment screws as shown to adjust position of drawer & drawer front.

**Note:** Adjust drawers after fixing vanity cabinets to wall.

