

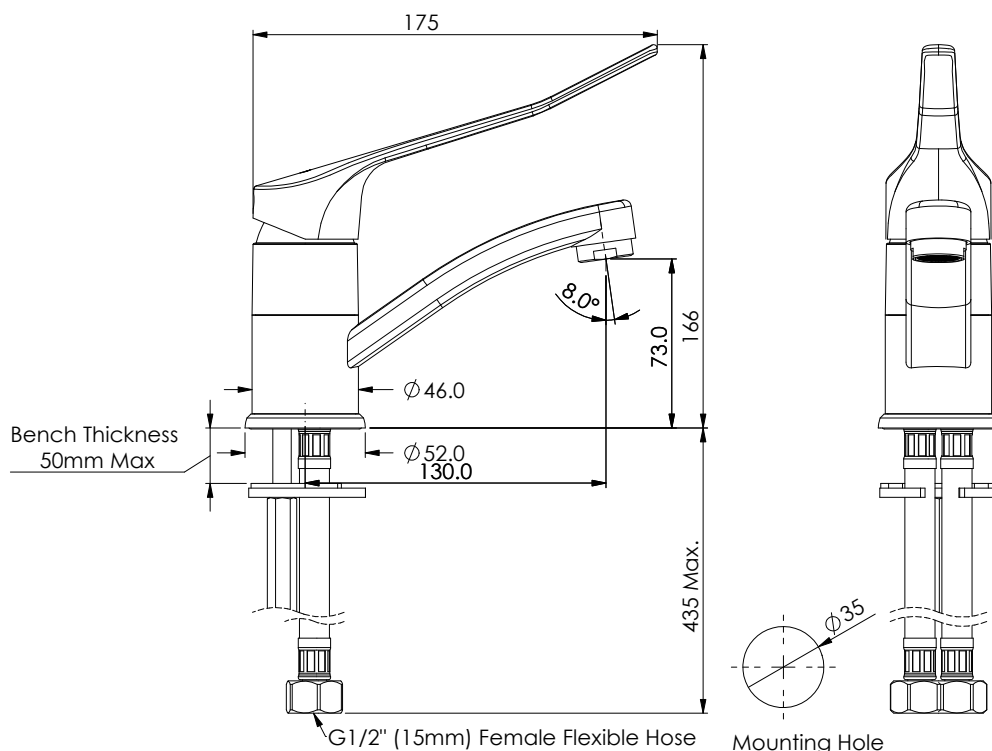
HELIX

Healthcare Swivel Basin Mixer

LF3519709CP-2 | Chrome

MP: 4 STAR 7.0L/MIN
LP : 5 STAR 6.0L/MIN
All Pressure

- Lead Free
- Swivel Spout
- Extended Lever for Assisted Living



NZ PHONE 0800 655 455
EMAIL nzsales@greenstapware.com
WEBSITE www.greenstapware.com



GREENS
where life meets water