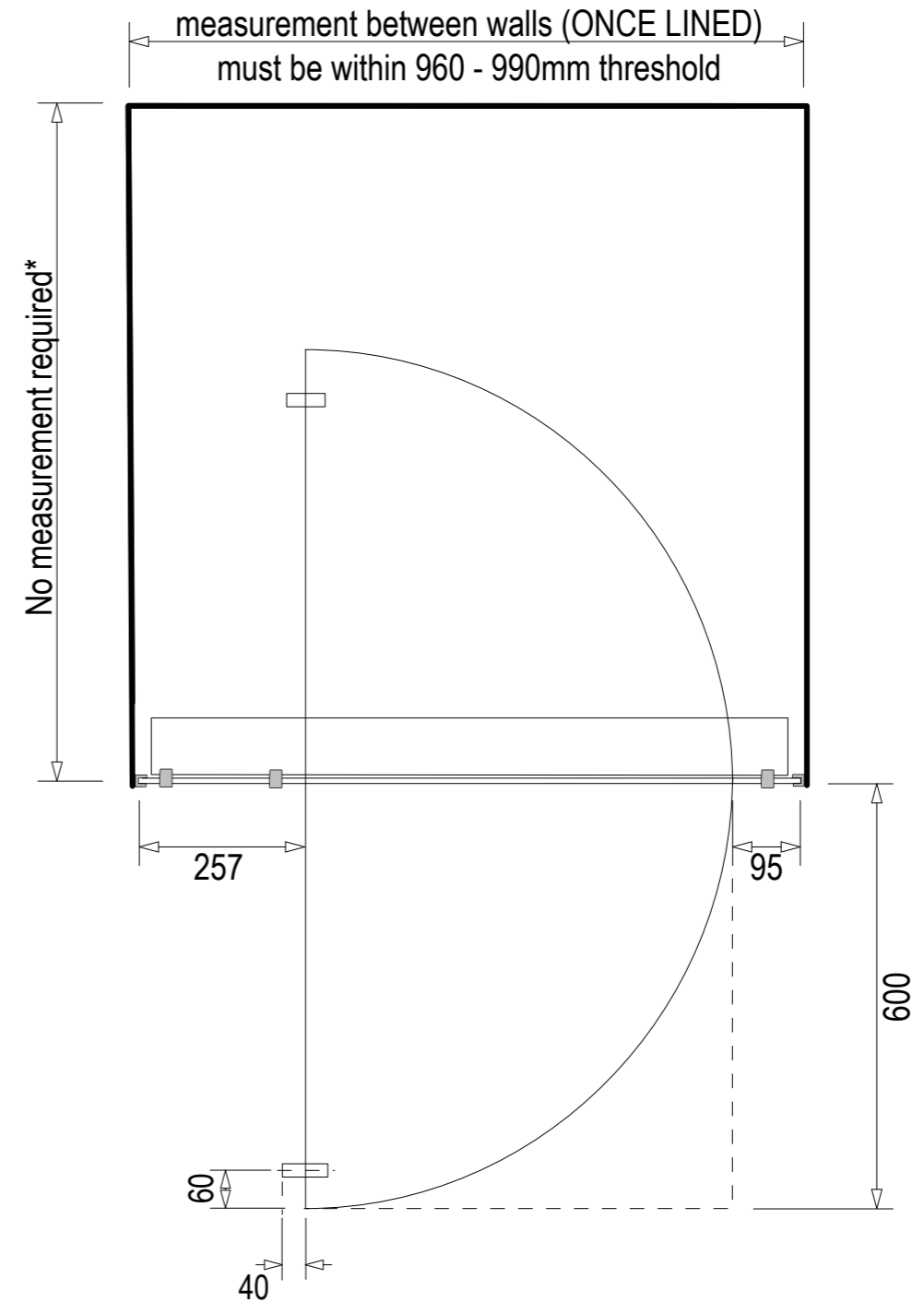


Note: Screens are reversible



**If using on a Solara 1000x1000 Alcove Tray we recommend 975mm to centre of glazing*

Screen Specifications & Components:

- 3x 8mm Toughened **CristalVision™** Nano-Coated Screens @ 2023 high
- 2x Wall Glazing Channels @ 2023mm high
- 1x 6mm Toughened Glass Top Brace @ 100mm wide
- 4x Top Brace Blocks
- 2x Adjustable self-centering 180° Hinges
- 1x Solara Handle set (192mm hole centres)
- 1x Sill Kit (more info on following pages)

For more information visit www.mitre10.co.nz